

Keithley Instruments  
28775 Aurora Road  
Cleveland, Ohio 44139  
1-800-935-5595  
<http://www.keithley.com>

## Description

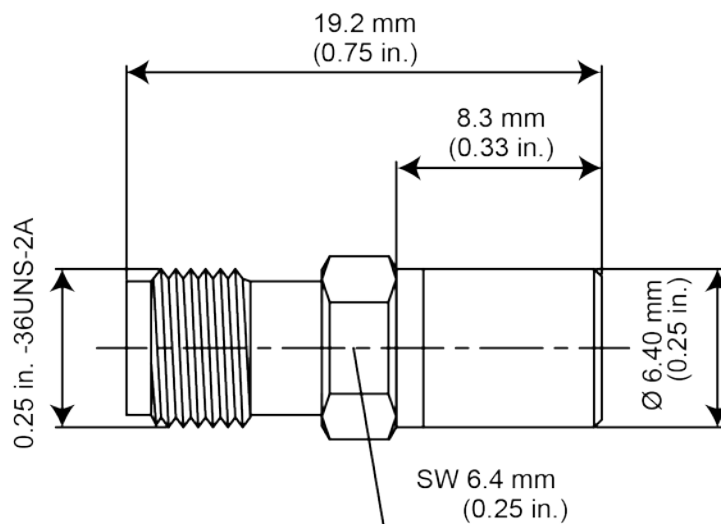
The Keithley Instruments 131936200 SMA (F) to SMB (F) Adapter is made of gold-plated, machined brass. The adapter is used for quick SMA connections and disconnections when used with the 131936100 SMA (M) to SMB (M) Adapter Connector Saver.

**Figure 1: SMA F to SMB F adapter connector saver**



## Dimensions

**Figure 2: SMA (F) to SMB (F) adapter connector saver dimensions**



## Electrical characteristics

- Impedance: 50  $\Omega$
- Frequency range: DC - 4 GHz
- Working voltage: < 500 V<sub>peak</sub>
- Dielectric withstanding voltage: 750 V<sub>rms</sub>
- VSWR: 1.25 maximum
- Center/outer contact resistance: 0.006 / 0.001  $\Omega$  maximum
- Insulation resistance: > 1000 M $\Omega$
- Number of insertions: 500 cycles minimum
- Temperature range: -65° C (-85 °F) to 165° C (329° F)