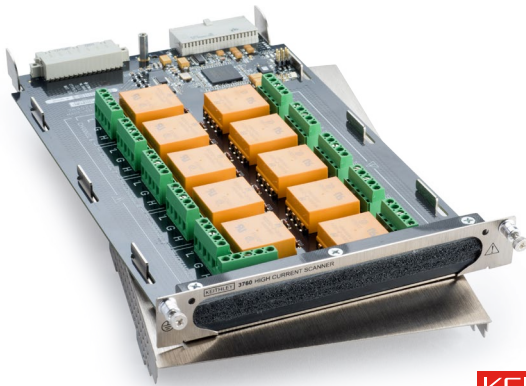
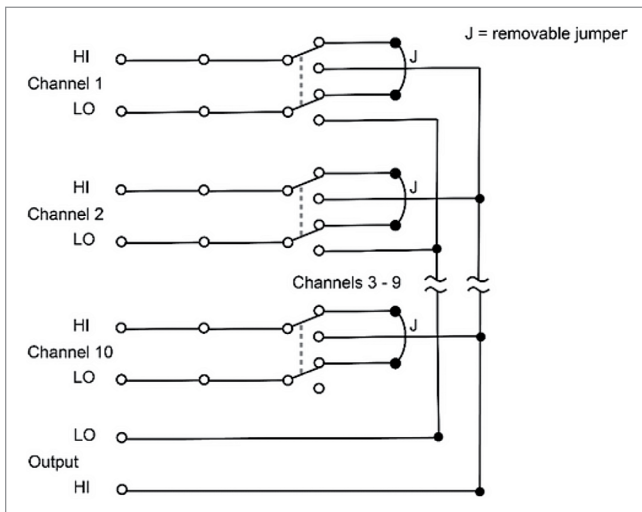


# 3760 10-Channel High-Current Multiplexer Card



**KEITHLEY**  
A Tektronix Company

The 3760 has ten 2-pole channels and features 5 A contacts. The switching is designed to maintain current paths for signals not connected to the output or, when internal jumpers are removed, to provide high input resistance for making voltage measurements. The 3760 does not connect to the 6 common buses on the 3706A backplane. Daisy chaining cards can be achieved by using an output channel. Semiconductor testing, materials research, power supply testing, solar cell measurements, electrochemical applications and IC testing are among the applications simplified with the 3760 High Current Multiplexer Card.



## Specifications

|                          |   |
|--------------------------|---|
| Channels Per Card        | 10.   |
| Contact Configuration    | 2-pole Form C with common guard.  |
| Connector Type           | Screw terminal, #16AWG maximum wire size.   |
| Relay Drive Current      | 80 mA per relay typical.  |
| Maximum Switching Levels | 300 V, 5 A, 100 VA (resistive load only).   |
| Maximum Applied Voltage  | 500 V.  |
| Contact Life             | >10 <sup>7</sup> closures (cold switching),<br>>10 <sup>5</sup> closures (at maximum signal level). |
| Contact Resistance       | <0.15 Ω to rated life.  |
| Contact Potential        | 1 mV max.   |
| Actuation Time           | <15 ms, exclusive of mainframe.   |
| Channel Isolation        | >10 <sup>9</sup> Ω, <50 pF.   |
| Input Isolation          | >10 <sup>7</sup> Ω, <150 pF.  |
| Common Mode Voltage      | 500 V peak.   |
| EMC                      | Conforms to all European Union directives.  |
| Operating Environment    | 0° to 50°C, up to 35°C at 70% relative humidity.  |
| Storage Environment      | -25°C to 65°C.  |

## Available Services

|             |  |
|-------------|--|
| -3760-3Y-EW | 1 year factory warranty extended to 3 years from date of shipment. |
| -3760-5Y-EW | 1 year factory warranty extended to 5 years from date of shipment. |

**Contact Information:**

**Australia\*** 1 800 709 465  
**Austria** 00800 2255 4835  
**Balkans, Israel, South Africa and other ISE Countries** +41 52 675 3777  
**Belgium\*** 00800 2255 4835  
**Brazil** +55 (11) 3759 7627  
**Canada** 1 800 833 9200  
**Central East Europe / Baltics** +41 52 675 3777  
**Central Europe / Greece** +41 52 675 3777  
**Denmark** +45 80 88 1401  
**Finland** +41 52 675 3777  
**France\*** 00800 2255 4835  
**Germany\*** 00800 2255 4835  
**Hong Kong** 400 820 5835  
**India** 000 800 650 1835  
**Indonesia** 007 803 601 5249  
**Italy** 00800 2255 4835  
**Japan** 81 (3) 6714 3010  
**Luxembourg** +41 52 675 3777  
**Malaysia** 1 800 22 55835  
**Mexico, Central/South America and Caribbean** 52 (55) 56 04 50 90  
**Middle East, Asia, and North Africa** +41 52 675 3777  
**The Netherlands\*** 00800 2255 4835  
**New Zealand** 0800 800 238  
**Norway** 800 16098  
**People's Republic of China** 400 820 5835  
**Philippines** 1 800 1601 0077  
**Poland** +41 52 675 3777  
**Portugal** 80 08 12370  
**Republic of Korea** +82 2 6917 5000  
**Russia / CIS** +7 (495) 6647564  
**Singapore** 800 6011 473  
**South Africa** +41 52 675 3777  
**Spain\*** 00800 2255 4835  
**Sweden\*** 00800 2255 4835  
**Switzerland\*** 00800 2255 4835  
**Taiwan** 886 (2) 2656 6688  
**Thailand** 1 800 011 931  
**United Kingdom / Ireland\*** 00800 2255 4835  
**USA** 1 800 833 9200  
**Vietnam** 12060128

\* European toll-free number. If not accessible, call: +41 52 675 3777



Find more valuable resources at [TEK.COM](http://TEK.COM)

Copyright © Tektronix. All rights reserved. Tektronix products are covered by U.S. and foreign patents, issued and pending. Information in this publication supersedes that in all previously published material. Specification and price change privileges reserved. TEKTRONIX and TEK are registered trademarks of Tektronix, Inc. All other trade names referenced are the service marks, trademarks or registered trademarks of their respective companies.

