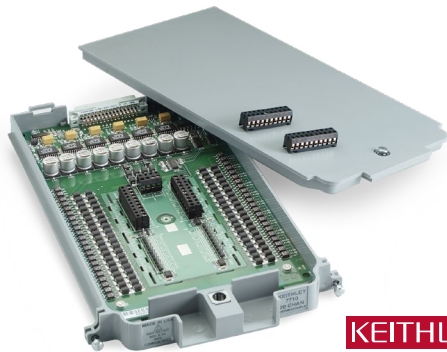


7710 20-channel Solid-state Differential Multiplexer

with Automatic CJC

Datasheet

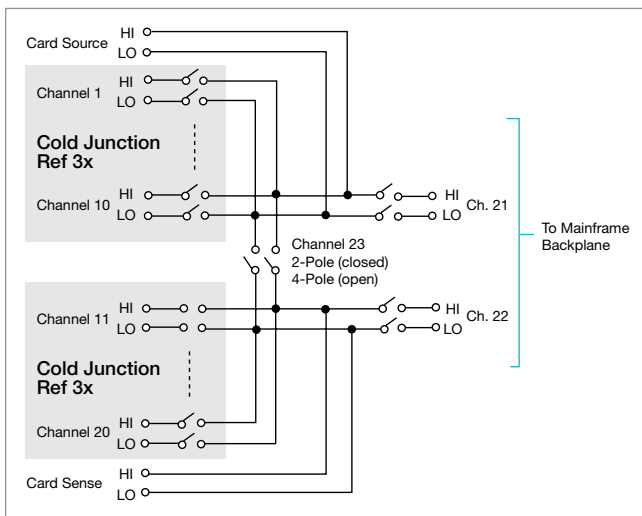


KEITHLEY
A Tektronix Company

The 7710 plug-in module offers 20 channels of 2-pole or 10 channels of 4-pole relay input that can be configured as two independent banks of multiplexers. The relays are solid state, providing long life and low maintenance. Solid-state relays usually have 100 times longer life than mechanical relays. It is ideal for long-term data logging applications as well as for demanding high-speed applications.

Key Features

- 20 channels for general purpose measurements with scanning speeds up to 800 channels/s
- High speed production or ATE testing up to 500 channels/s
- Long lifetime solid state relays
- Removable screw terminals



Specifications

Capabilities

Maximum Signal Level	Any channel to any channel (1–20) 60 VDC or 42 V rms, 100 mA switched, 6 W, 4.2 VA maximum.
Common Mode Voltage	300 VDC or 300 Vrms (425 V peak) maximum between any terminal and chassis.
Contact Life	>10 ¹⁰ operations at cold switching or max signal level (guaranteed by design).
Relay Drive Current	6 mA per channel continuous, 25 mA during initial pulse.
Contact Resistance	<10 Ω per channel or <5 Ω per conductor. Refer to the 7710 User's Guide for measurement considerations when used on the instrument 1 Ω or 10 Ω ranges.
Contact Potential	<3 μV per pair.
Offset Current	<3 nA @ 23°C (per channel); additional 0.13 nA/°C >23°C.
Connector Type	3.5 mm removable screw terminals, #20 AWG wire size.
Isolation Between Any Two Terminals:	>10 ¹⁰ Ω @ 23°C, > 8×10 ⁹ Ω @ 50°C, <100 pF.
Isolation Between Any Terminal and Earth:	>10 ¹⁰ Ω, <100 pF.
Crosstalk (CH-CH, 500 kHz, 50 Ω Load):	<–40 dB.
Insertion Loss (50 Ω Source, 50 Ω Load)	<1 dB below 500 kHz.

Scanning Speeds (see mainframe specifications for details)

Multiple Channels, Into Memory	7710 Scanning DCV: >800. 7710 Scanning DCV alternating 2WΩ: >400.
---------------------------------------	--

General

Channels	20 channels of 2-pole relay input. All channels configurable to 4-pole.
Relay Type	Solid state opto-coupled FET.
Actuation Time	<0.5 ms (100 mA load).
Environmental and Safety	<p>Operating Environment: Specified for 0° to 50°C. Specified to 80% R.H. at 35°C.</p> <p>Storage Environment: –25° to 65°C.</p> <p>EMC: Conforms to European Union EMC Directive.</p> <p>Safety: Conforms to European Union Low Voltage Directive</p> <p>RoHS: Conforms to European Union RoHS Directive</p>
Weight	0.45 kg (1 lb).

Supplied Accessories

CC-92-1	Set of 20 Cable Ties
TL-23	Screwdriver

Available Services

7710-3Y-EW	1-year factory warranty extended to 3 years from date of shipment
-------------------	---

Ordering Information

7710	20-channel Solid-state Differential Multiplexer Module
Warranty	1 year

Contact Information:

Australia* 1 800 709 465
Austria 00800 2255 4835
Balkans, Israel, South Africa and other ISE Countries +41 52 675 3777
Belgium* 00800 2255 4835
Brazil +55 (11) 3759 7627
Canada 1 800 833 9200
Central East Europe / Baltics +41 52 675 3777
Central Europe / Greece +41 52 675 3777
Denmark +45 80 88 1401
Finland +41 52 675 3777
France* 00800 2255 4835
Germany* 00800 2255 4835
Hong Kong 400 820 5835
India 000 800 650 1835
Indonesia 007 803 601 5249
Italy 00800 2255 4835
Japan 81 (3) 6714 3010
Luxembourg +41 52 675 3777
Malaysia 1 800 22 55835
Mexico, Central/South America and Caribbean 52 (55) 56 04 50 90
Middle East, Asia, and North Africa +41 52 675 3777
The Netherlands* 00800 2255 4835
New Zealand 0800 800 238
Norway 800 16098
People's Republic of China 400 820 5835
Philippines 1 800 1601 0077
Poland +41 52 675 3777
Portugal 80 08 12370
Republic of Korea +82 2 6917 5000
Russia / CIS +7 (495) 6647564
Singapore 800 6011 473
South Africa +41 52 675 3777
Spain* 00800 2255 4835
Sweden* 00800 2255 4835
Switzerland* 00800 2255 4835
Taiwan 886 (2) 2656 6688
Thailand 1 800 011 931
United Kingdom / Ireland* 00800 2255 4835
USA 1 800 833 9200
Vietnam 12060128

* European toll-free number. If not accessible, call: +41 52 675 3777



Find more valuable resources at TEK.COM

Copyright © Tektronix. All rights reserved. Tektronix products are covered by U.S. and foreign patents, issued and pending. Information in this publication supersedes that in all previously published material. Specification and price change privileges reserved. TEKTRONIX and TEK are registered trademarks of Tektronix, Inc. All other trade names referenced are the service marks, trademarks or registered trademarks of their respective companies.

