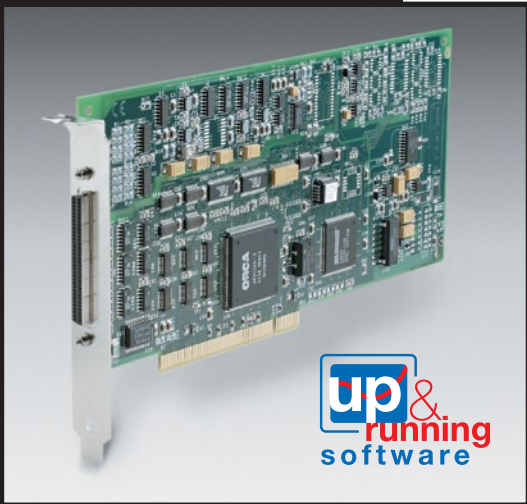


KPCI-3101A KPCI-3102A KPCI-3103A KPCI-3104A



- 12-bit resolution
- Throughput of up to 225kS/s or 400kS/s
- Digital I/O scanning speeds of up to 3MHz
- 16 single-ended or 8 differential analog inputs
- 23 digital I/O lines
- 2 analog outputs (KPCI-3102A and -3104A only)
- 4 counter/timers
- Low gain (1, 2, 4, 8)
- Pre-, post-, and about-triggering
- 1024-location channel-gain queue
- 32-bit DriverLINX® drivers plus a suite of bundled software including ExceLINX™, VisualSCOPE™ and LabVIEW® drivers
- Not supported in Microsoft Windows 7 64-bit

225/400kHz, 12-Bit, Low Gain Multifunction Boards

Our KPCI-3101A/3102A/3103A/3104A multifunction boards provide strong performance at an extremely affordable price. Fully loaded, they are an attractive one-stop solution, providing everything you need on a single low-cost board.

Functional Description

This family of PCI-bus data acquisition boards features low gain, 12-bit resolution and a choice of throughput speeds. The KPCI-3101A/3102A boards provide a throughput of 225kS/s, while the KPCI-3103A/3104A are designed for applications requiring a faster input speed of 400kS/s. In addition, these multifunction boards include 32-bit DriverLINX software drivers and LabVIEW VIs. Keithley's new start-up software is also included at no charge.

Analog Inputs

The analog inputs are software configurable for single-ended or differential inputs and bipolar or unipolar input ranges. An Amp Low connection allows single-ended inputs to be referenced to a common point other than ground to provide 16 pseudo-differential inputs. For added flexibility, a 1024-location channel-gain queue allows you to sample non-sequential channels and channels with different gains.

The Calibration utility allows both manual and automatic software calibrations.

Analog Input Acquisition Modes

These boards can acquire a single value from any channel or a number of samples from multiple channels. To acquire data from multiple channels, the boards provide two scan modes: continuously paced and triggered. Both scan modes can be paced using an internal or an external clock.

The boards provide several triggering modes, including pre-trigger, post-trigger, and about-trigger modes.

- Pre-trigger mode allows acquisition to occur until an external trigger occurs.
- Post-trigger is the standard acquisition mode; acquisition begins after an internal or external trigger event and continues until an end condition occurs or the specified number of samples are collected.
- About-trigger mode allows acquisition to occur both before and after an external trigger.

Analog Outputs

The KPCI-3102A and -3104A boards feature two serial, multiplying, 12-bit resolution analog output channels. The output ranges are $\pm 5V$, $\pm 10V$, $0-5V$, and $0-10V$. The analog outputs are set to 0V at power-up, and they supply single value updates suitable for DC control signals.

Digital I/O

All the boards feature 23 digital I/O lines. These lines are divided into two 8-bit ports and one 7-bit port. The ports are inputs by default, but can be software-configured for output. When used as outputs, they have sufficient capability to drive external solid-state relay modules (12mA sink and 15mA source).

The status of Ports A and B can be read at the rate of the analog input subsystem by including this special combined 16-bit digital channel in the analog input channel/gain list. When this 16-bit digital channel is the only channel in the channel/gain list, the rate can be increased to 3MHz.

The seven bits of Port C can be written to at the speed of an analog input task that makes use of a channel/gain list. Up to 1024 unique values can be written to the 7-bit port per analog input scan. The rate of the updates to Port C is limited to the speed of the analog input task.

Counter/Timers

These boards provide four 16-bit counter/timers. Uses include counting events, creating a one-shot or frequency output, and measuring frequency input. They can also be used to set the duty cycle, frequency, and output polarity of the output pulse.

These counter/timers can be cascaded. Cascade two counter/timers internally through software. Cascade three or four counter/timers externally on a screw terminal accessory.

Strong performance at an extremely affordable price

DATA ACQUISITION PRODUCTS

1.888.KEITHLEY (U.S. only)
www.keithley.com

KEITHLEY

A GREATER MEASURE OF CONFIDENCE

KPCI-3101A KPCI-3102A KPCI-3103A KPCI-3104A

Ordering Information

KPCI-3101A 12-Bit, Low Gain Multifunction Board, 225ks/s

KPCI-3102A 12-Bit, Low Gain Multifunction Board, 225ks/s, with Analog Outputs

KPCI-3103A 12-Bit, Low Gain Multifunction Board, 400ks/s

KPCI-3104A 12-Bit, Low Gain Multifunction Board, 400ks/s, with Analog Outputs

ACCESSORIES AVAILABLE

C2600	STA-300 to MB-01 Cable
CAB-305	KPCI-3101A/3102A/3103A/3104A to STA-300, 68-pin, 2-meter, Shielded Cable
STA-300	Screw Terminal Accessory
STP-68	Screw Terminal Panel (not CE approved)
MB-01*	16-Channel Direct-Connection Module Mounting Rack
MB-05*	8-Channel Direct-Connection Module Mounting Rack

*Signal conditioning modules for the MB-01 and MB-05 can be found in the Signal Conditioning and Accessories section.

Physical and Environmental Specifications

PHYSICAL:

Dimensions: 8.5 inches (length) by 4.2 inches (width).
I/O Connector: 68 pin Amp (#749621-7).

CERTIFICATION AND COMPLIANCE: FCC Class A verified; will not compromise FCC compliance of host computer CE.

COMPLIANCE: Conforms to European Union directive 89/336/EEC (EMC directive), EN55022, and EN50082-1. (Product is CE marked.)

ENVIRONMENTAL:

Operating Temperature Range: 0°C to 70°C.
Storage Temperature Range: -25°C to 85°C.
Relative Humidity: To 95%, noncondensing.

225/400kHz, 12-Bit, Low Gain Multifunction Boards

Features Summary

Analog Inputs

Board	Channels	Resolution	Input Ranges
KPCI-3101A/3102A	16 SE/8 Diff	12 bits	±1.25, 2.5, 5, 10 V 0-1.25, 2.5, 5, 10 V
KPCI-3103A/3104A	16 SE/8 Diff	12 bits	±1.25, 2.5, 5, 10 V 0-1.25, 2.5, 5, 10 V

Analog Outputs

Board	Channels	Resolution	Output Ranges	Counter/Timer
KPCI-3101A/3103A	0	N/A	N/A	4
KPCI-3102A/3104A	2	12 bits	±5V, ±10V, 0-5V, 0-10V	4

Analog Inputs

	KPCI-3101A/3102A	KPCI-3103A/3104A
Number of analog input channels		
Single-ended/pseudo-differential	16	16
Differential	8	8
Resolution	12 bits	12 bits
Channel-gain list	1024 locations	1024 locations
Input FIFO size	1024 locations	1024 locations
Input gains	1, 2, 4, 8	1, 2, 4, 8
Input range		
Bipolar	±10, ±5, ±2.5, ±1.25 V	±10, ±5, ±2.5, ±1.25 V
Unipolar	0-10, 5, 2.5, 1.25 V	0-10, 5, 2.5, 1.25 V
Drift		
Zero	±30μV + (+20μV*Gain)/°C	±30μV + (+20μV*Gain)/°C
Gain	±30 ppm/°C	±30 ppm/°C
Input impedance	100 MΩ, 10 pF, Off 100 MΩ, 100 pF, On	100 MΩ, 10 pF, Off 100 MΩ, 100 pF, On
Input bias current	±20 nA	±20 nA
Common mode voltage	±11 V maximum (operational)	±11 V maximum operational
Maximum input voltage	±35 V maximum (protection)	±35 V maximum (protection)
Channel acquisition time	3 μs	1 μs
A/D conversion time	4.44 μs	2.5 μs

Accuracy

Nonlinearity (integral)	±1.0 LSB	±1.0 LSB
Differential nonlinearity	±0.5 LSB (no missing codes)	±0.5 LSB (no missing codes)
System noise	0.3 LSB rms	0.3 LSB rms
Channel-to-channel offset	±40.0 μV	±40.0 μV

Clocking and Trigger Input

Maximum A/D pacer clock		
Single analog input throughput	225 ks/s @ 0.03% accuracy	400 ks/s @ 0.03% accuracy
Multiple analog input throughput	160 ks/s @ 0.03% accuracy	300 ks/s @ 0.03% accuracy
Multiple analog input throughput	225 ks/s @ 0.05% accuracy	400 ks/s @ 0.05% accuracy
Single digital input channel	3 MS/s	3 MS/s
Minimum A/D pacer clock throughput	1.2 S/s	1.2 S/s
External A/D sample clock		
Minimum pulse width	100 ns (high); 100 ns (low)	100 ns (high); 100 ns (low)
Maximum frequency (analog inputs)	225 kHz	400 kHz
Maximum frequency (digital inputs only)	3 MHz	3 MHz
External digital (TTL) trigger		
High-level input voltage	2.0 V minimum	2.0 V minimum
Low-level input voltage	0.8 V maximum	0.8 V maximum
Minimum pulse width	100 ns (high); 100 ns (low)	100 ns (high); 100 ns (low)

1.888.KEITHLEY (U.S. only)

www.keithley.com

KEITHLEY

KPCI-3101A KPCI-3102A KPCI-3103A KPCI-3104A

225/400kHz, 12-Bit, Low Gain Multifunction Boards

Analog Outputs

	KPCI-3102A	KPCI-3104A
Number of analog output channels	2 (voltage output)	2 (voltage output)
Resolution	12 bits	12 bits
Output range	$\pm 5V$, $\pm 10V$, $0-5V$, $0-10V$	$\pm 5V$, $\pm 10V$, $0-5V$, $0-10V$
Error: Gain	± 2 LSB + Reference	± 2 LSB + Reference
Zero	Software adjustable to 0	Software adjustable to 0
Current output	± 5 mA maximum	± 5 mA maximum
Output impedance	0.3Ω typical	0.3Ω typical
Capacitive drive capability	$0.001 \mu F$ (no oscillations)	$0.001 \mu F$ (no oscillations)
Nonlinearity (integral)	± 1 LSB	± 1 LSB
Differential linearity	± 0.5 LSB (monotonic)	± 0.5 LSB (monotonic)
Protection	Short circuit to Analog Common	Short circuit to Analog Common
Power-on voltage	$0 V \pm 10$ mV	$0 V \pm 10$ mV
Settling time to 0.01% of FSR	$50 \mu s$, $20 V$ step; $10.0 \mu s$, 100 mV step	$50 \mu s$, $20 V$ step; $10.0 \mu s$, 100 mV step
Slew rate	$2 V/\mu s$	$2 V/\mu s$

Digital I/O

	Port A	Port B	Port C
Number of lines	8 bidirectional	8 bidirectional	7 bidirectional

Inputs

High-level input voltage	2.0 V minimum	2.0 V minimum	2.0 V minimum
Low-level input voltage	0.8 V maximum	0.8 V maximum	0.8 V maximum
High-level input current	$3 \mu A$	$3 \mu A$	$100 \mu A$
Low-level input current	$-3 \mu A$	$-3 \mu A$	$-100 \mu A$
Maximum internal pacer clock rate (single digital channel)	3 MHz	3 MHz	3 MHz

Outputs

Output driver high voltage	2.4 V minimum ($I_{OH} = -15$ mA)	2.4 V minimum ($I_{OH} = -15$ mA)	2.4 V minimum ($I_{OH} = -4$ mA)
Output driver low voltage	0.5 V maximum ($I_{OL} = 12$ mA)	0.5 V maximum ($I_{OL} = 12$ mA)	0.8 V maximum ($I_{OL} = 4$ mA)

Counter/Timer

NUMBER OF COUNTER/TIMER CHANNELS: 4.

CLOCK INPUTS:

High-Level Input Voltage: 2.0V minimum.

Low-Level Input Voltage: 0.8V maximum.

Minimum Pulse Width: 100ns (high); 100ns (low).

Maximum Frequency: 5.0MHz.

GATE INPUTS:

High-Level Input Voltage: 2.0V minimum.

Low-Level Input Voltage: 0.8V maximum.

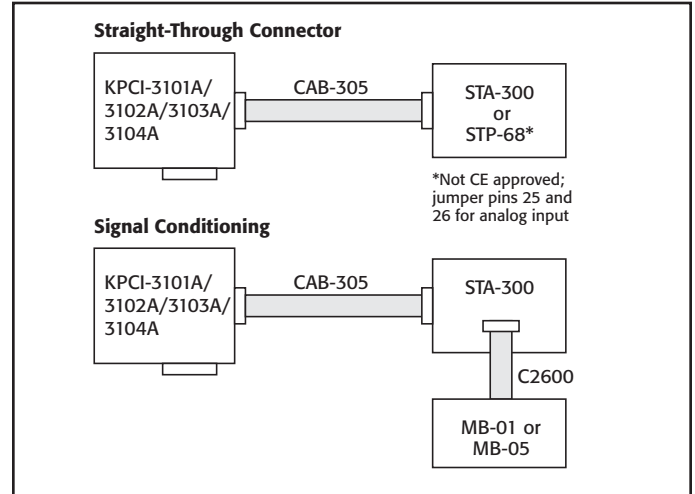
Minimum Pulse Width: 100ns (high); 100ns (low).

COUNTER OUTPUTS:

Output Driver High Voltage: 2.0V minimum ($I_{OH} = -15$ mA); 2.4V minimum ($I_{OH} = -3$ mA).

Output Driver Low Voltage: 0.5V maximum ($I_{OL} = -24$ mA); 0.4V maximum ($I_{OL} = -12$ mA).

Configuration Guide



Connector Pin Assignments

The analog input, analog output, digital input, and digital output connections are made with a 68-pin, subminiature D connector at the rear of the computer.

Analog Input 0	68	■	34	Analog Input 1
Analog Input 8/0 Return	67	■	33	Analog Input 9/1 Return
Analog Input 2	66	■	32	Analog Input 3
Analog Input 10/2 Return	65	■	31	Analog Input 11/3 Return
Analog Input 4	64	■	30	Analog Input 5
Analog Input 12/4 Return	63	■	29	Analog Input 13/5 Return
Analog Input 6	62	■	28	Analog Input 7
Analog Input 14/6 Return	61	■	27	Analog Input 15/7 Return
DAC0 Reference	60	■	26	Amp Low
DAC1 Reference	59	■	25	Analog Ground
Analog Output 0	58	■	24	Analog Output 1
Analog Output 0 Return	57	■	23	Analog Output 1 Return
External A/D Trigger	56	■	22	External A/D Sample Clock In
Digital Ground	55	■	21	Digital Ground
Digital I/O Port C, Line 0	54	■	20	Digital I/O Port C, Line 1
Digital I/O Port C, Line 2	53	■	19	Digital I/O Port C, Line 3
Digital I/O Port C, Line 4	52	■	18	Digital I/O Port C, Line 5
Digital I/O Port C, Line 6	51	■	17	Digital Ground
Digital I/O Port A, Line 0	50	■	16	Digital I/O Port A, Line 1
Digital I/O Port A, Line 2	49	■	15	Digital I/O Port A, Line 3
Digital I/O Port A, Line 4	48	■	14	Digital I/O Port A, Line 5
Digital I/O Port A, Line 6	47	■	13	Digital I/O Port A, Line 7
Digital I/O Port B, Line 0	46	■	12	Digital I/O Port B, Line 1
Digital I/O Port B, Line 2	45	■	11	Digital I/O Port B, Line 3
Digital I/O Port B, Line 4	44	■	10	Digital I/O Port B, Line 5
Digital I/O Port B, Line 6	43	■	9	Digital I/O Port B, Line 7
Digital Ground	42	■	8	Digital Ground
User Clock Input 0	41	■	7	User Clock Input 1
User Counter Output 0	40	■	6	User Counter Output 1
External Gate 0	39	■	5	External Gate 1
External Gate 2	38	■	4	External Gate 3
User Counter Output 2	37	■	3	User Counter Output 3
User Clock Input 2	36	■	2	User Clock Input 3
Power Ground	35	■	1	+5V Output @ 1A

When using STP-68, make a connection between Amp Low and Analog Ground (W1 jumper on STA-300).

1.888.KEITHLEY (U.S. only)

www.keithley.com

KEITHLEY