

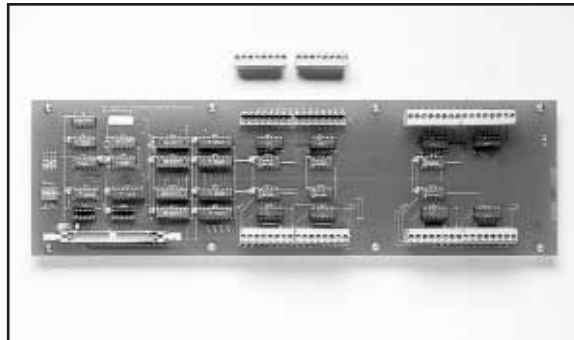
# MIO-32

## 32-Point Isolated Digital Output Board For the METRABUS

### Functional Description

The MIO-32 is a 32 point, digital output board for the METRABUS system. The board interfaces to TTL, CMOS or other logic level devices. Output drive voltages may be as high as 20 volts if required by the application.

The MIO-32 uses 4 consecutive addresses on the METRABUS. This allows up to 16 MIO-32 boards (512 output points) to be controlled by a single METRABUS driver board. The board is divided into four 8-bit ports. As with all METRABUS boards, data is latched when written to the MIO-32 and may be read back for data verification and program development. The MIO-32 can be mounted in 19-inch racks (such as Keithley's model RMT-02), or in standard NEMA enclosures.



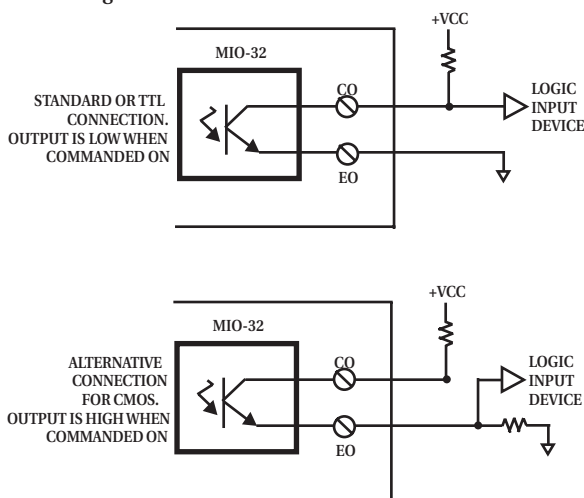
### FEATURES

- 32 logic level outputs
- 500 volt isolation
- Up to 512 output points per METRABUS driver board
- Easy to program
- Detachable screw terminals greatly reduce field wiring and replacement time

### APPLICATIONS

- Relay control
- Communicate with external circuitry
- Write to external D/A converters
- Write to BCD input devices

### Configuration Diagrams



NOTES: THE ALTERNATIVE CONNECTION OFFERS LESS DRIVE CURRENT AND SHOULD NOT BE USED TO DRIVE TTL INPUTS. A SYSTEM "CLEAR" TURNS THE OUTPUT TRANSISTOR OFF WHICH IS A "HIGH" IN THE STANDARD CONNECTION AND A "LOW" IN THE ALTERNATE CONNECTION.

### SPECIFICATIONS

#### METRABUS ADDRESS SPACE

4 Consecutive addresses

#### POWER REQUIREMENTS

+5V: 520mA typ, 600mA max

±15V: Not used

#### PHYSICAL

DIMENSIONS: 16in L x 4.75in W (40.63cm L x 12.06cm W)

OPERATING TEMP: 0 to 70°C

STORAGE TEMP: -20 to 100°C

HUMIDITY: 0 to 90% non-condensing

#### OUTPUTS

NUMBER OF OUTPUTS: 32 (in four 8-bit bytes)

ISOLATION: 500VDC

OUTPUT OFF CURRENT: 1µA max

OUTPUT OFF VOLTAGE: Set by user

OUTPUT DRIVE CURRENT: 1.8mA min

OUTPUT ON VOLTAGE: 0.5V max

MAXIMUM OUTPUT VOLTAGE: 20VDC

### ORDER DESCRIPTION

MIO-32 METRABUS 32-Point Isolated Digital Output Board

### QUESTIONS?

1-800-552-1115 (U.S. only)

Call toll free for technical assistance, product support or ordering information, or visit our website at [www.keithley.com](http://www.keithley.com).