

Model 7111-S Quad 1×10 Form C Multiplexer Card

The Model 7111-S is a low-voltage, quad 1×10, single-pole form C multiplexer card. (A second pole is normally not used but is available if needed.) The Model 7111-S assembly consists of a screw terminal connector card and a relay card. External test circuits are wired directly to the screw terminals of the connector card. Also available from Keithley is the Model 7011-ST. This is an extra screw terminal connector card, which can be used to wire a second test system without disturbing the wiring of the first test system.

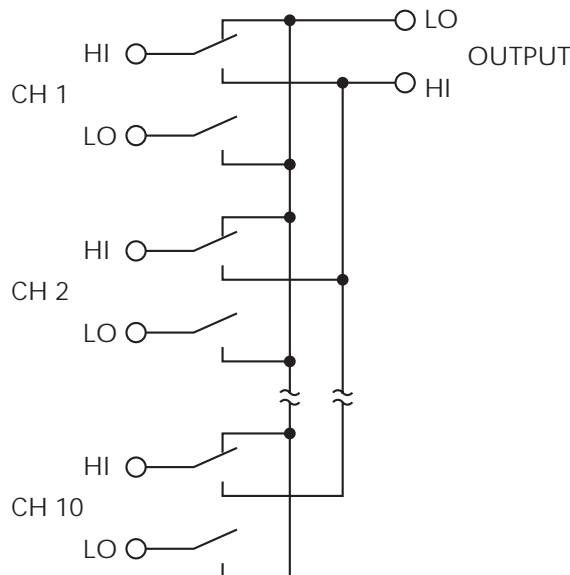
Some key features of the 7111-S card include:

- Low contact potential and offset current for minimal effect on low-level signals.
- The connector card detaches from the relay card allowing easy access to the screw terminals and jumpers.
- Easy jumper configuration of one, two, three or four multiplexer banks.
- Backplane jumpers - Cutting jumpers disconnects multiplexer bank outputs from the Models 7001/7002 analog backplane.

The Model 7111-S is a form C version of Keithley's 7011-S, which is a quad 1×10, two-pole form A multiplexer card. The cards have similar operating and servicing characteristics. Refer to the Model 7011-S and 7011-C Instruction Manual (Keithley part number 7011-901-00) for details.

Figure 1 shows a simplified schematic of the 7111-S card.

Figure 1
Model 7111-S simplified schematic



NOTE: One of four banks shown. The LO input is normally not used but it is available if needed as shown.