

Keithley Instruments, Inc.
28775 Aurora Road
Cleveland, Ohio 44139
1-888-KEITHLEY
www.keithley.com

Universal Dual Unit Rack Mount Kit

Introduction

This instruction sheet contains a parts list and installation information for the Model 4299-4 Universal Dual Unit Rack Mount Kit. This kit includes all hardware necessary to mount two half-rack instruments (either Keithley, or Agilent units) excluding the 260x or other products that are designated to use the rear support feature in a standard 19-inch rack.

Parts list

The table lists the parts supplied with the Model 4299-4 Universal Dual Unit Rack Mount Kit.

4299-4 part listing

Quantity	Description	Keithley part number
2	Hinge	2602-328
2	Front Rack Ear	2602-333
1	Modified Quick Release Pin	FA-352
4	Cage Nut	FA-274
1	"DO NOT DISCARD" Label	MC-345
4	#8-32 X 3/8 LG Phillips Pan Head Screw	8-32X3/8PPH
4	#8-32 X 3/8 LG Phillips Flat Head Screw	8-32X3/8PFH
4	#10-32 X 5/8 LG Phillips Truss Head Screw	10-32X5/8PHTRSH
4	M4X12 Phillips Pan Head Screw	M4X12PPH
4	M4X12 Phillips Flat Head Screw	M4X12MMPFH

Installation

The following procedure outlines the installation of the rack mount kit.

WARNING Make sure the instrument that is being installed is in a powered down state with all cables unplugged. Failure to install an instrument in a discharged state may cause an electrical shock or death.

CAUTION

- Place the hottest equipment (for example, the power supply), at the top of the rack.
- Place precision equipment as low as possible in the rack (where temperatures are cooler).
- Follow instructions included with Keithley equipment for rack mounting.

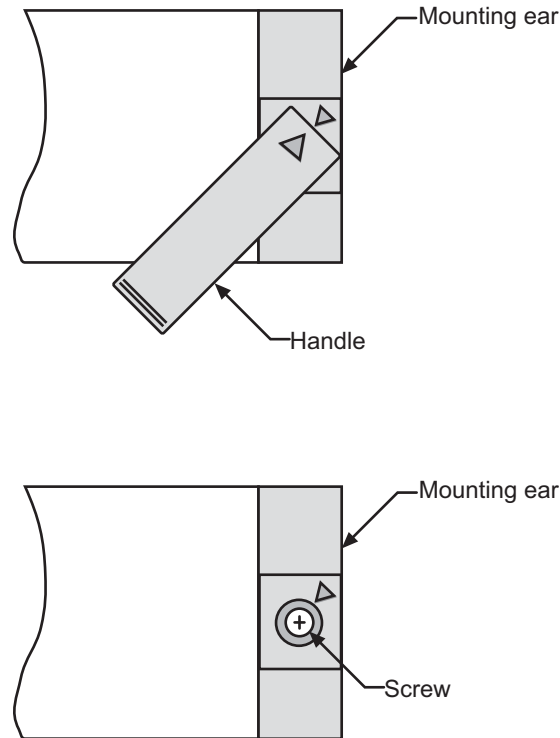
NOTE 1U is a standard vertical spacing and is equal to 1.75 inches. Typical distance between the mounting holes on rack rails is 0.125" (1/8").

Step 1. Prepare instrument

To prepare the instrument for mounting, remove the handle, the mounting ears, and both rear feet. The following information outlines this process.

1. **Remove the handle** —The handle serves as an adjustable tilt-bail. Adjust its position by gently pulling it away from the sides of the instrument case and swinging it up or down. To remove the handle, swing the handle below the bottom surface of the case and back until the orientation arrows on the handles line up with the orientation arrows on the mounting ears (refer to Figure 1). With the arrows lined up, pull the ends of the handle away from the case.
2. **Remove mounting ears.**
 - Remove the screw that secures each mounting ear.
 - Pull down and out to remove each ear.

Figure 1
Remove handle and mounting ears



2. **Remove both rear feet from the instrument** by pulling out the rubber feet and then removing the screws underneath.

NOTE *Do not re-install the feet mounting screws. Save all parts removed for future bench top use of the instrument.*

Step 2. Install mounting hardware to instrument

NOTE *Install the mounting hardware on the rack rail side of each unit (not the same side as the other unit) (see Figure 2).*

1. Determine and select the unit's side that is to be installed closest to the rack rail (see Note).
2. Place the instruments side-by-side as they will be installed in the rack (refer to Figure 3).
3. Secure Front Rack Ear (2602-333) to outside of each instrument using two Pan Head Screws. **

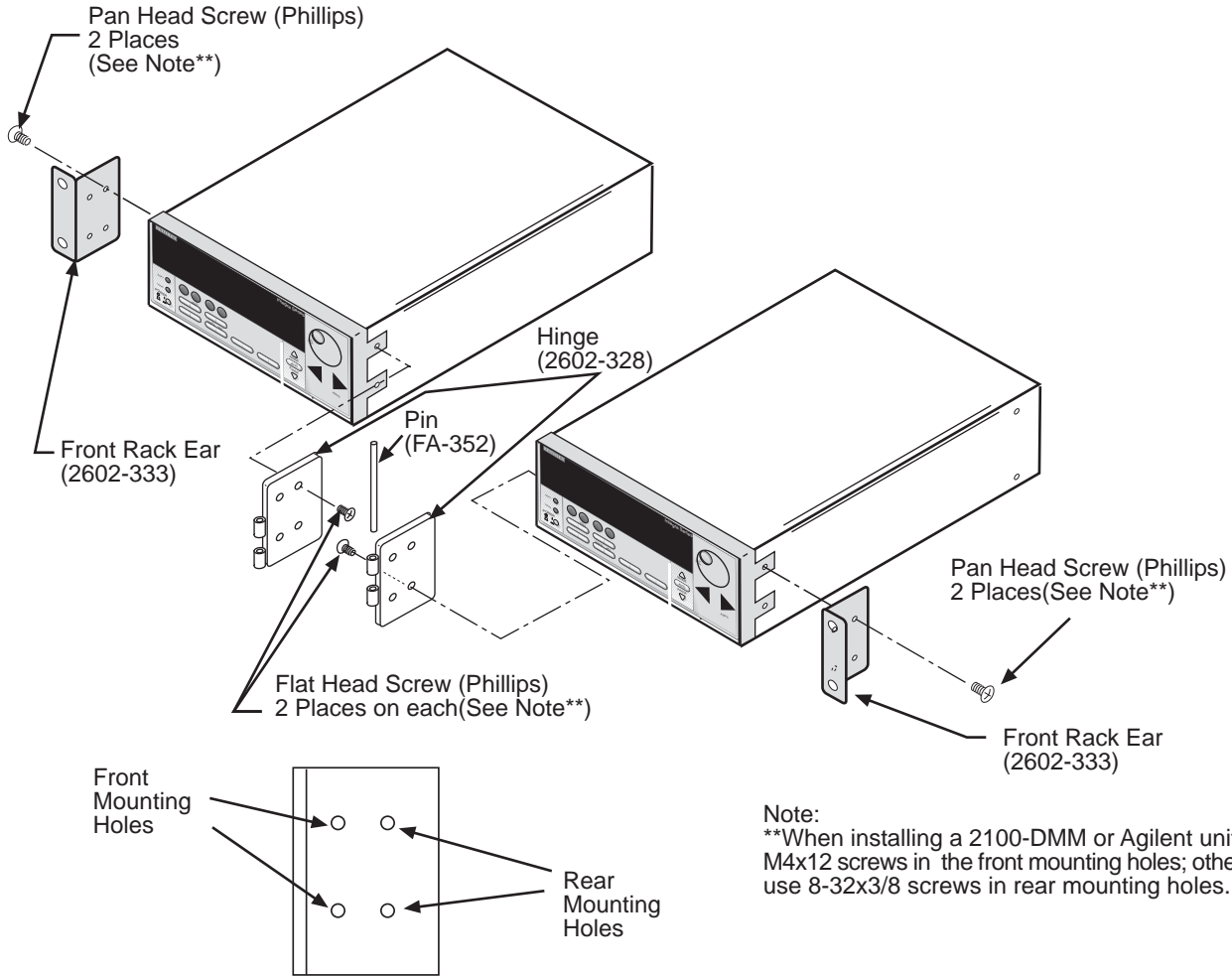
NOTE *Knuckles on **Hinge** (2602-328) must face front of units.*

4. Secure one-half of Hinge (2602-328) to right instrument and other half of Hinge (2602-328) to left instrument using two Flat Head Screws on each half. ** Check knuckle orientation on hinges—knuckles must face front of units.

- Bring the two instruments together and secure by inserting **Pin (FA-352)** to assemble the **Hinge (2602-328)**.

Figure 2

Secure instrument together

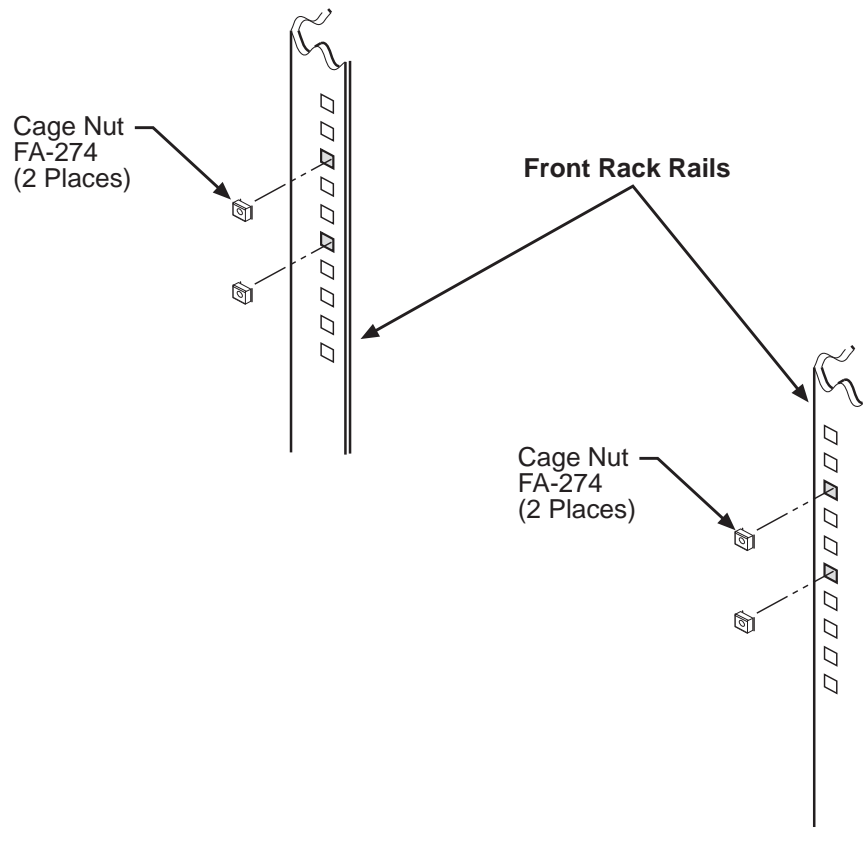


Step 3. Prepare the rack

- Install **Cage Nuts (FA-274)** into rack. (The rack holes selected determine unit placement in rack.)

Figure 3

Attach rack mount extension arms



Step 4. Install Instruments

NOTE *Although the following step may be completed by one person, two are recommended.*

When rack mounting restricts access to the main power cord, provide a separate main power disconnect device. This device must be located in close proximity to the equipment and within easy reach of the operator.

1. While still supporting the units, secure them to the front rack rails with four **Truss Head Screws** (10-32x5/8PHTRSH).

Figure 4
Install instruments

