

Read This First



**TMSPGC
PGA370 Single-Ended/Differential Clock
Hardware Support**

Heatsink Holddown

061-4236-01



061423601

Copyright © Tektronix, Inc. All rights reserved. Licensed software products are owned by Tektronix or its suppliers and are protected by United States copyright laws and international treaty provisions.

Use, duplication, or disclosure by the Government is subject to restrictions as set forth in subparagraph (c)(1)(ii) of the Rights in Technical Data and Computer Software clause at DFARS 252.227-7013, or subparagraphs (c)(1) and (2) of the Commercial Computer Software - Restricted Rights clause at FAR 52.227-19, as applicable.

Tektronix products are covered by U.S. and foreign patents, issued and pending. Information in this publication supercedes that in all previously published material. Specifications and price change privileges reserved.

Tektronix, Inc., P.O. Box 500, Beaverton, OR 97077

TEKTRONIX and TEK are registered trademarks of Tektronix, Inc.

Read This First

Before attaching a heatsink to the TMSPGC probe head, check Figure 1 for the required heatsink part number and Figure 2 for the required heatsink height.



CAUTION. To prevent damage to the TMSPGC probe head, use the correct parts and part numbers as indicated in both illustrations.

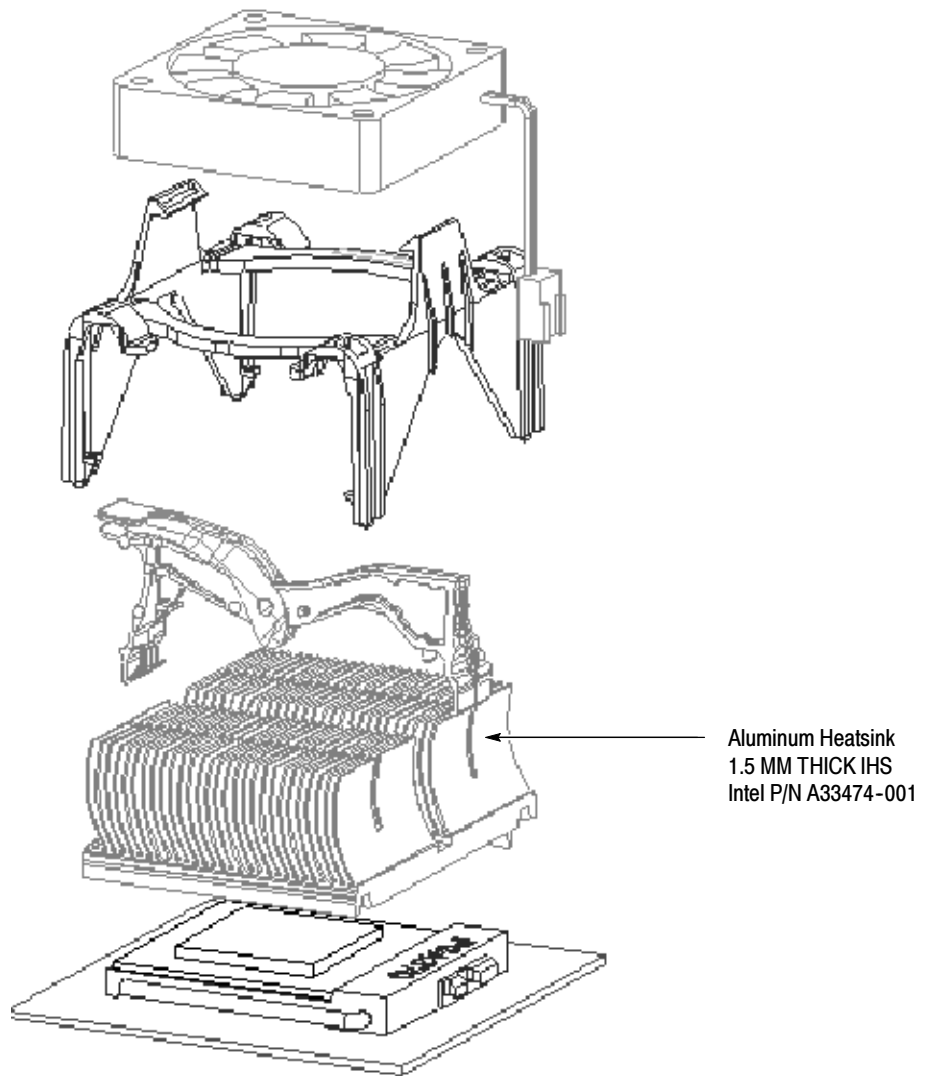


Figure 1: Intel PGA370 FCPGA2 ETV

Figure 2 shows the required heatsink height.

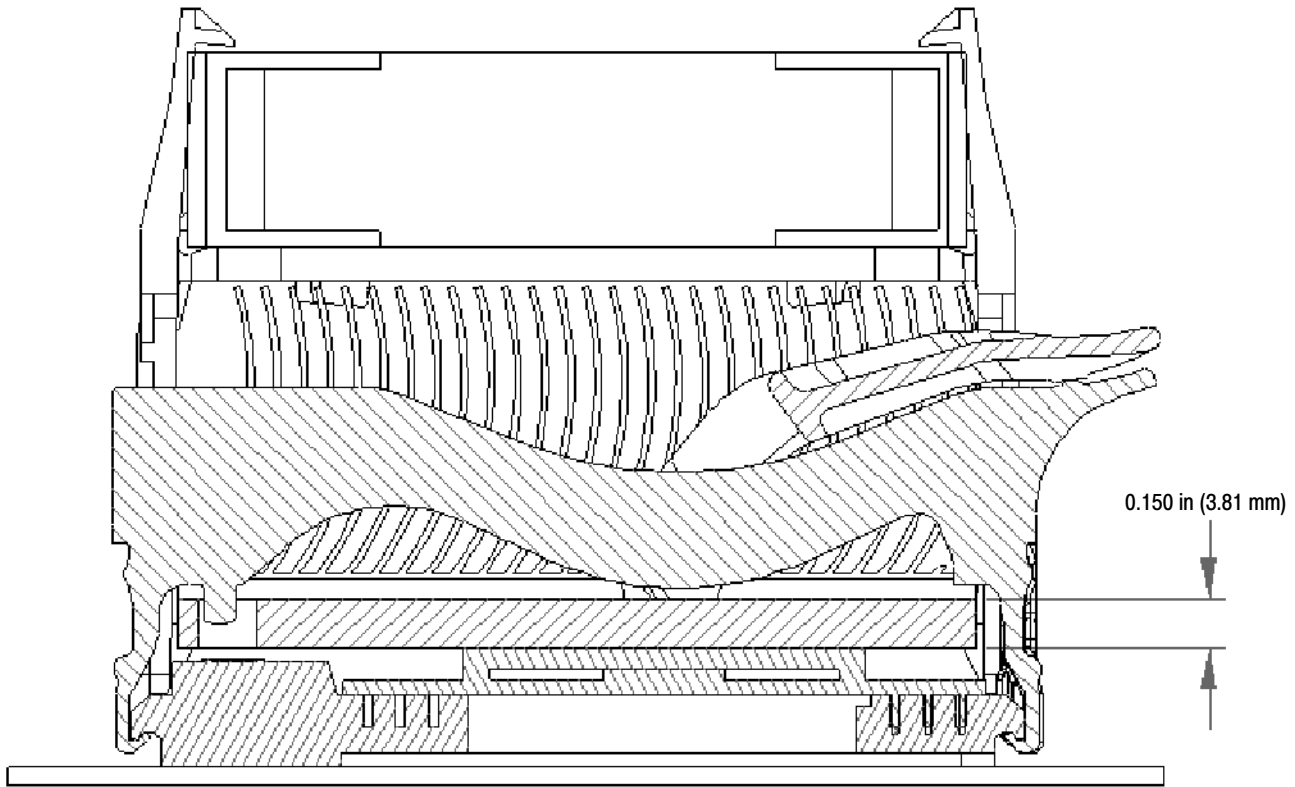


Figure 2: Required heatsink height