

## TCA-BNC Adapter Instructions

071-0822-02

www.tektronix.com



071082202

### Safety Summary

To avoid potential hazards, use this product only as specified.

#### To avoid fire or personal injury

**Connect and disconnect properly.** Connect the TCA-BNC adapter to the host instrument before connecting the device to the circuit-under-test. Disconnect the device input and ground from the circuit under test before disconnecting the device from the adapter and host instrument.

**Ground the product.** This product is indirectly grounded through the grounding conductor of the host instrument power cord. To avoid electric shock, the grounding conductor must be connected to earth ground. Before making connections to the input or output terminals of the product, ensure that the product is properly grounded.

**Observe all terminal ratings.** To avoid fire or shock hazard, observe all ratings and markings on the host instrument. Consult the host instrument documentation for further ratings information before making connections to the host instrument.

Do not apply a potential to any terminal, including the common terminal, that exceeds the maximum rating of that terminal.

**Do not operate without covers.** Do not operate this product with covers or panels removed.

**Do not operate with suspected failures.** If you suspect there is damage to this product, have it inspected by qualified service personnel.

**Do not operate in wet/damp conditions.**

**Do not operate in an explosive atmosphere.**

**Keep product surfaces clean and dry.**

### Safety symbols on the product



### Product Description

The TekConnect™-BNC adapter connects probes or other devices driving 50 Ω loads to Tektronix instruments with the TekConnect interface. The adapter includes the TekProbe II™ interface so that the host instrument can read and power TekProbe II probes.

You can also connect a 50 Ω BNC cable or other 50 Ω inputs to the host instrument. The adapter preserves maximum signal integrity and eliminates the need for additional external adapters, which can degrade voltage standing wave ratio (VSWR).

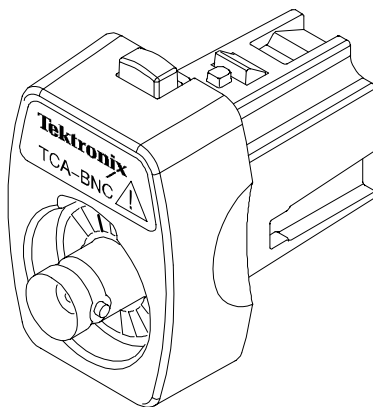


Figure 1: TCA-BNC Adapter

### Using the Adapter

The adapter connects directly to the Tekconnect interface on the host instrument.

#### Installing the Adapter

1. Insert the adapter into the TekConnect interface on the host instrument until the adapter locks in place.
2. Connect the BNC-device to the adapter.
3. Connect the device to the circuit-under-test or to another 50 Ω BNC device or cable.

After installing the adapter, you can connect any Tektronix device intended to terminate into a 50 Ω load.

#### Removing the Adapter

1. Disconnect the device input and ground from the circuit-under-test or from another 50 Ω BNC device or cable.
2. Disconnect the device from the adapter.
3. Press the button on top of the adapter (see Figure 2) to release the lock and remove the adapter from the host instrument.

**NOTE.** It may be necessary to remove the adapter before installing the host instrument cover.

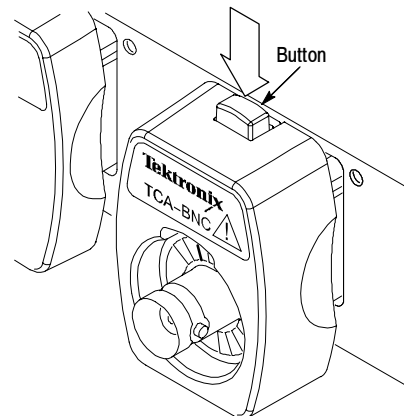


Figure 2: Removing the adapter from the host instrument

### Specifications

**Maximum Input Voltage.** The lesser of 30 V<sub>RMS</sub> or the maximum input voltage rating for the TekConnect host instrument.

**VSWR.** Refer to the TekConnect host instrument for the overall system VSWR.

**Propagation Delay.** 165 ps ± 5 ps.

### Additional Information

For additional information on using the TekConnect adapters, refer to the documentation for the host instrument.

## WARRANTY SUMMARY

Tektronix warrants that the products that it manufactures and sells will be free from defects in materials and workmanship for a period of one (1) year from the date of shipment. If a product proves defective within the respective period, Tektronix will provide repair or replacement as described in the complete warranty statement.

To arrange for service or obtain a copy of the complete warranty statement, please contact your nearest Tektronix sales and service office.

EXCEPT AS PROVIDED IN THIS SUMMARY OR THE APPLICABLE WARRANTY STATEMENT, TEKTRONIX MAKES NO WARRANTY OF ANY KIND, EXPRESS OR IMPLIED, INCLUDING WITHOUT LIMITATION THE IMPLIED WARRANTIES OF MERCHANTABILITY AND FITNESS FOR A PARTICULAR PURPOSE. IN NO EVENT SHALL TEKTRONIX BE LIABLE FOR INDIRECT, SPECIAL OR CONSEQUENTIAL DAMAGES.

