

Instructions



050-3635-XX

Inverter Board and Cable Replacement Kit

TLA715 and TLA7UP

**TDS5000, TDS5000B, TDS6000, CSA/TDS7000,
CSA/TDS8000, TLA600, and VM5000 Series**

075-0908-01

Warning

The servicing instructions are for use by qualified personnel only. To avoid personal injury, do not perform any servicing unless you are qualified to do so. Refer to all safety summaries prior to performing service.

www.tektronix.com



075090801

Copyright © Tektronix. All rights reserved. Licensed software products are owned by Tektronix or its subsidiaries or suppliers, and are protected by national copyright laws and international treaty provisions.

Tektronix products are covered by U.S. and foreign patents, issued and pending. Information in this publication supercedes that in all previously published material. Specifications and price change privileges reserved.

TEKTRONIX and TEK are registered trademarks of Tektronix, Inc.

Contacting Tektronix

Tektronix, Inc.
14200 SW Karl Braun Drive
P.O. Box 500
Beaverton, OR 97077
USA

For product information, sales, service, and technical support:

- In North America, call 1-800-833-9200.
- Worldwide, visit www.tektronix.com to find contacts in your area.

General Safety Summary

Review the following safety precautions to avoid injury and prevent damage to this product or any products connected to it. To avoid potential hazards, use this product only as specified.

Only qualified personnel should perform service procedures.

While using this product, you may need to access other parts of the system. Read the *General Safety Summary* in other system manuals for warnings and cautions related to operating the system.

To Avoid Fire or Personal Injury

Use Proper Power Cord. Use only the power cord specified for this product and certified for the country of use.

Connect and Disconnect Properly. Do not connect or disconnect probes or test leads while they are connected to a voltage source.

Ground the Product. This product is grounded through the grounding conductor of the power cord. To avoid electric shock, the grounding conductor must be connected to earth ground. Before making connections to the input or output terminals of the product, ensure that the product is properly grounded.

Observe All Terminal Ratings. To avoid fire or shock hazard, observe all ratings and markings on the product. Consult the product manual for further ratings information before making connections to the product.

Do Not Operate Without Covers. Do not operate this product with covers or panels removed.

Use Proper Fuse. Use only the fuse type and rating specified for this product.

Avoid Exposed Circuitry. Do not touch exposed connections and components when power is present.

Do Not Operate With Suspected Failures. If you suspect there is damage to this product, have it inspected by qualified service personnel.

Do Not Operate in Wet/Damp Conditions.

Do Not Operate in an Explosive Atmosphere.

Keep Product Surfaces Clean and Dry.

Provide Proper Ventilation. Refer to the manual's installation instructions for details on installing the product so it has proper ventilation.

Symbols and Terms

Terms in this Manual. These terms may appear in this manual:



WARNING. *Warning statements identify conditions or practices that could result in injury or loss of life.*



CAUTION. *Caution statements identify conditions or practices that could result in damage to this product or other property.*

Terms on the Product. These terms may appear on the product:

DANGER indicates an injury hazard immediately accessible as you read the marking.

WARNING indicates an injury hazard not immediately accessible as you read the marking.

CAUTION indicates a hazard to property including the product.

Symbols on the Product. The following symbols may appear on the product:



Service Safety Summary

Only qualified personnel should perform service procedures. Read this *Service Safety Summary* and the *General Safety Summary* before performing any service procedures.

Do Not Service Alone. Do not perform internal service or adjustments of this product unless another person capable of rendering first aid and resuscitation is present.

Disconnect Power. To avoid electric shock, switch off the instrument power, then disconnect the power cord from the mains power.

Use Care When Servicing With Power On. Dangerous voltages or currents may exist in this product. Disconnect power, remove battery (if applicable), and disconnect test leads before removing protective panels, soldering, or replacing components.

To avoid electric shock, do not touch exposed connections.

Kit Description

This kit contains instructions and parts to replace the Display Inverter board and cable in the mainframes listed below. The cable enables proper connection from a new connector in the new Inverter board to your current instrument.

This kit implements the changes in ECR 31316.

Products

Table 1: Mainframes

TDS Series	TLA Series	CSA Series	VM Series
5032, 5032B, 5034, 5034B 5052, 5052B 5054, 5054B, 5054BE 5054B-AF, NV, NV-AV, NV-T 5104, 5104B, 5104B-AF 6404, 6604 7054, 7104, 7154, 7254 7404, 7UP 8000, 8000B, 8200	611, 612, 613, 614 621, 622, 623, 624 715, 7UP	7154, 7404 8000, 8000B, 8200	5000, 5000HD

Minimum Tool and Equipment List

Refer to the service manual for a list of tools required for mainframe disassembly, and reassembly from the Inverter board level. A service manual is available from the Tektronix Web site at www.tektronix.com.

Kit Parts List

Quantity	Part number	Serial no.	Name & Description
1 ea	119-6806-XX	---	Power supply: Inverter board, for NEC 10.4 in LCD
1 ea	174-5278-XX	SN B029999 and below	Cable assy sp: Ribbon, CPR, 28 AWG, 9.5 L, 1x5,0.049CTR, LZ series, MOLEX 50058 S
1 ea	174-4794-XX	SN B030000 and above	Cable assy; Display adapter to inverter, safety controlled
1 ea	075-0908-01	---	Instructions, 050-3635-XX, Inverter Board and Cable Replacement Kit

Removal and Installation Instructions

These instructions are for personnel who are familiar with servicing the product. If you need further details for disassembling or reassembling the product, refer to the appropriate service manual. To contact the nearest Tektronix Service Center or Tektronix Factory Service for installation assistance, see the copyright page at the front of this document.

Preparation



WARNING. Before doing this or any other procedure in this document, read the Safety Summary starting on page 3.

Before replacing your Inverter board and cable, refer to the service manual for your mainframe for instructions on proper disassembly of the main instrument down to the Inverter board level.

Once you have reached the Inverter board, follow the instructions in the next section.



CAUTION. To prevent static discharge damage, service the product only in a static-free environment. Observe standard handling precautions for static-sensitive devices while installing this kit. Always wear a grounded wrist strap, grounded foot strap, and static resistant apparel while installing this kit.

Replace Inverter Board and Cable

To replace the Inverter board and cable, do the following steps:

1. Disassemble the mainframe down to the Inverter board level using the instructions you find in the service manual for your mainframe.
2. Locate the Inverter board assembly and cable. These are on the back of the Display module, as shown below in Figure 1.
3. Remove the cable and the Inverter board from the Display module.
4. Install the new cable and new Inverter board. Use the correct cable for your instrument. See the Kit Parts List on page 5.
5. Reassemble the mainframe by following the instructions in your service manual.

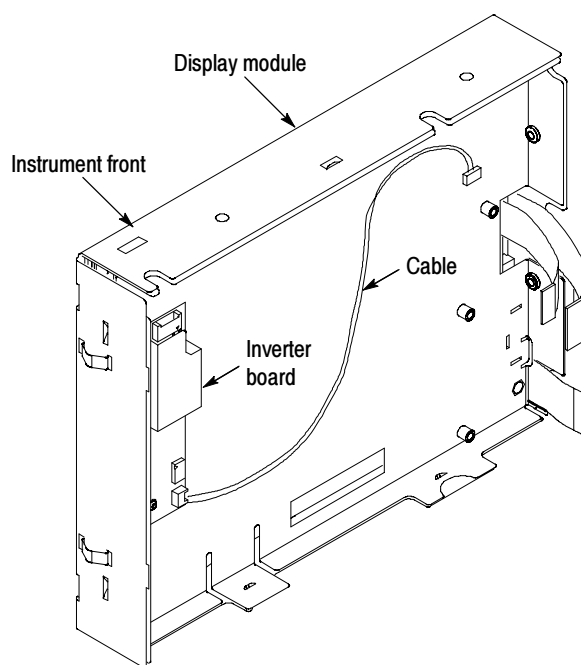


Figure 1: Inverter board and cable location (TDS5000B series oscilloscope shown).

The inverter board and cable are located on the back of the Display module.

■ End of document ■

