



**TTR500RACK
Rackmount Kit
Installation Instructions**

www.tek.com



071-3492-01

Copyright © Tektronix. All rights reserved. Licensed software products are owned by Tektronix or its subsidiaries or suppliers, and are protected by national copyright laws and international treaty provisions.

Tektronix products are covered by U.S. and foreign patents, issued and pending. Information in this publication supersedes that in all previously published material. Specifications and price change privileges reserved.

TEKTRONIX and TEK are registered trademarks of Tektronix, Inc.

Contacting Tektronix

Tektronix, Inc.
14150 SW Karl Braun Drive
P.O. Box 500
Beaverton, OR 97077
USA

For product information, sales, service, and technical support:

- In North America, call 1-800-833-9200.
- Worldwide, visit www.tek.com to find contacts in your area.

General safety summary

Review the following safety precautions to avoid injury and prevent damage to this product or any products connected to it.

To avoid potential hazards, use this product only as specified.

Only qualified personnel should perform service procedures.

To avoid damage to equipment and personal injury

Do not exceed rackmount weight ratings. Use this rackmount kit only for TTR500 instruments.

Use proper hardware. Do not interchange hardware. Use only specified mounting screws.

Use care when installing and removing product from rack. Avoid pinching fingers and hands when installing and removing. Do not force the product when installing. Gently pull the product out when removing.

Use only with specified products. Do not use rackmount on products for which it was not intended. Refer to individual product manuals for details or contact Tektronix Customer Service when in doubt.

Kit description

The rackmount kit is a collection of parts that, once installed, holds one or two Tektronix TTR500 Vector Network Analyzers, for mounting onto a standard 19-inch equipment rack. To complete the installation, you need

- Phillips #2 screwdriver
- T10 and T20 Torx drivers
- 3/8 inch nut driver (wrench or socket)

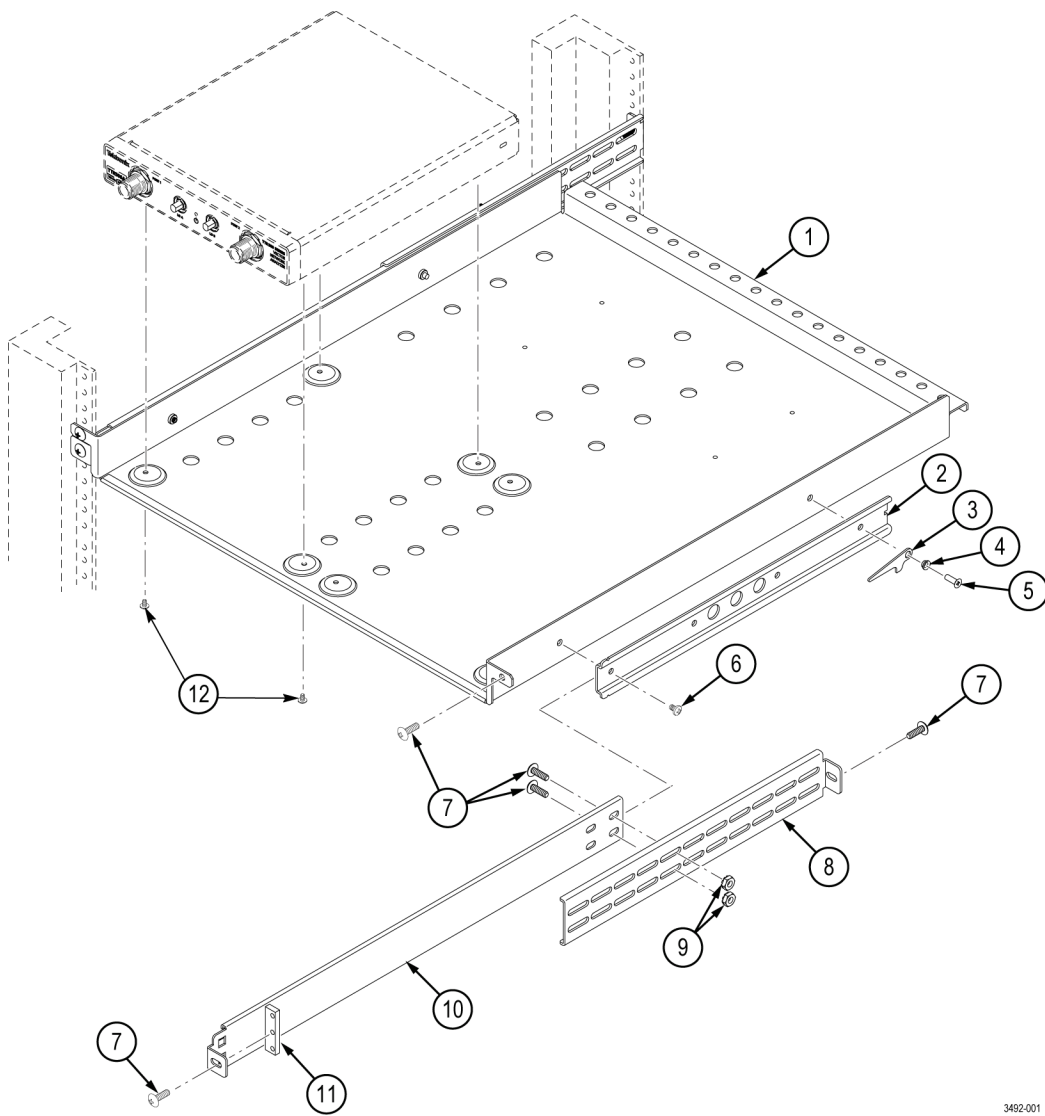
Supported products

- TTR503A
- TTR506A

Kit parts list

Use the figure to identify the parts contained in this kit and assemble the rackmount. Some hardware may not be necessary for your configuration.

Item no.	Name and description	Qty.	Notes
1	BRACKET, MAIN	1	
2	RACK SLIDE	2	
3	RACK SAFETY STOP LEVER	2	
4	RACK SAFETY STOP BUSHING	2	
5	SCREW #8-32*1/2, FLAT HEAD 100° PHILLIPS	2	
6	SLIDER SCREW #8-32*1/4 TORX T20	2	
7	RACKMOUNT SCREW #10-32*5/8 PHILLIPS	10	
8	RACK RAIL, REAR	2	
9	NUT #10-32*3/8 LOCK WASHER	4	
10	RACK RAIL, FRONT	2	
11	NUT PLATE #10-32*1/8, 3-POSITION	2	OPTIONAL USE
12	INSTRUMENT FEET SCREW M3-L6, TORX T10	4	AVAILABLE ON INSTRUMENT



3492-001

Installation

Use this procedure and refer to the illustration to assemble the rackmount hardware and install the instrument into the rack.

1. Attach the front rack rail (10) to the rear rack rail (8) using the #10–32x5/8 screws (7) and the #10–32x3/8 lock washer nut (9).
2. Attach the pair of rack kit rails to the rack frame using the #10–32x5/8 Phillips screw (7). Optionally, you can also use the #10–32x1/8 3–position nut plate (11) if the rack threads are damaged.
3. Attach the rack slide (2) to the main bracket (1) using the #8–32x5/16 Torx T20 screw (6).
4. Attach the rack safety stop lever (3) to the main bracket (1) using the rack safety stop bushing (4) and the #8–32x1/2 Phillips flat head 100° screw (5).
5. Slide the main bracket assembly (1) into the rack rail assembly.
6. Remove the four M3 L6 Torx T10 screws (12) that are used to attach the rubber feet to the bottom of the TTR500 instrument.
7. Use the M3 L6 Torx T10 screws (12) to attach the TTR500 instrument to the main bracket assembly (1). The rackmount kit can support up to two TTR500 instruments.
8. Secure the main bracket assembly to the rack frame using #10–32x5/8 Phillips screws (7).