

Keithley Instruments  
28775 Aurora Road  
Cleveland, Ohio 44139  
1-800-935-5595  
<http://www.keithley.com>

## High Voltage Discharge Probe

### Description

The Keithley Instruments Model 8020-DP High Voltage Discharge Probe is designed to safely drain capacitive charge from bias tees and other charge-retaining components after a circuit is de-energized. This is necessary when using the CVU-3K-KIT bias tee kit, the Model 8010, and the Model 8020.

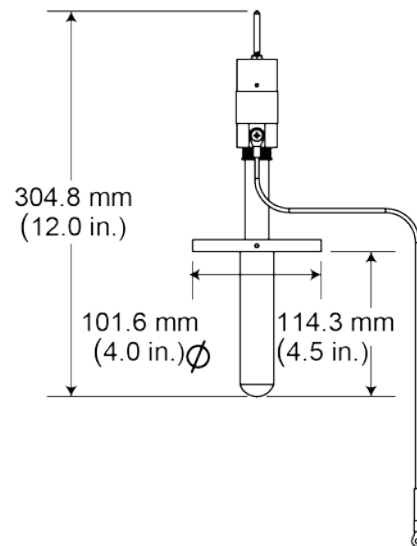
Refer to the Keithley Instruments Model CVU-3K-KIT, Model 8010 High Power Device Test Fixture, or Model 8020 High Power Interface Panel User's Manual for further information and complete instructions on using the 8020-DP.

**Figure 1: Model 8020-DP discharge probe**



## Dimensions

Figure 2: Model 8020-DP dimensions



## Electrical characteristics

- Resistance: 10 k $\Omega$
- Impulse energy: 20 J every 5 s or 5 kJ maximum single surge
- Maximum voltage: 5 kV at 50  $\mu$ s pW