

Keithley Instruments
28775 Aurora Road
Cleveland, Ohio 44139
1-800-935-5595
<http://www.keithley.com>

Phoenix Connector for 2651A Sense

Description

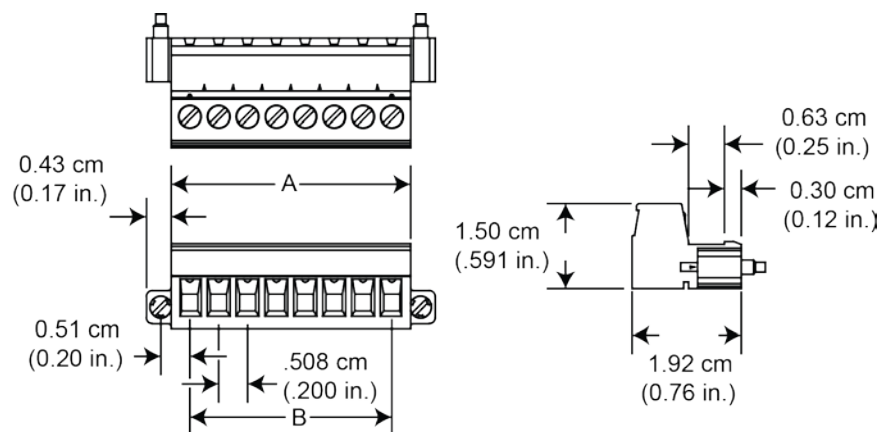
The Keithley Instruments CS-1195-X is a series of Phoenix connectors. The connector is used to build a custom cable.

Figure 1: CS-1195-X 2-pin Phoenix connector for 2651A sense (2-position model shown)



Dimensions

Figure 2: CS-1195-X Phoenix connector for 2651A sense (8-pin version shown)



Keithley part number	Number of positions	A	B
CS-1195-2	2	1.17 cm (0.46 in.)	0.51 cm (0.20 in.)
CS-1195-8	8	4.21 cm (1.66 in.)	3.56 cm (1.40 in.)

Electrical characteristics

- Nominal voltage: 300 V
- Nominal current: 10 A
- Nominal conductor sizes: 30 to 12 AWG
- Pitch: 5.08 mm (0.2 in.)
- Surge voltage: 4 kV
- Tightening torque, minimum: 0.5 Nm
- Tightening torque, maximum: 0.6 Nm