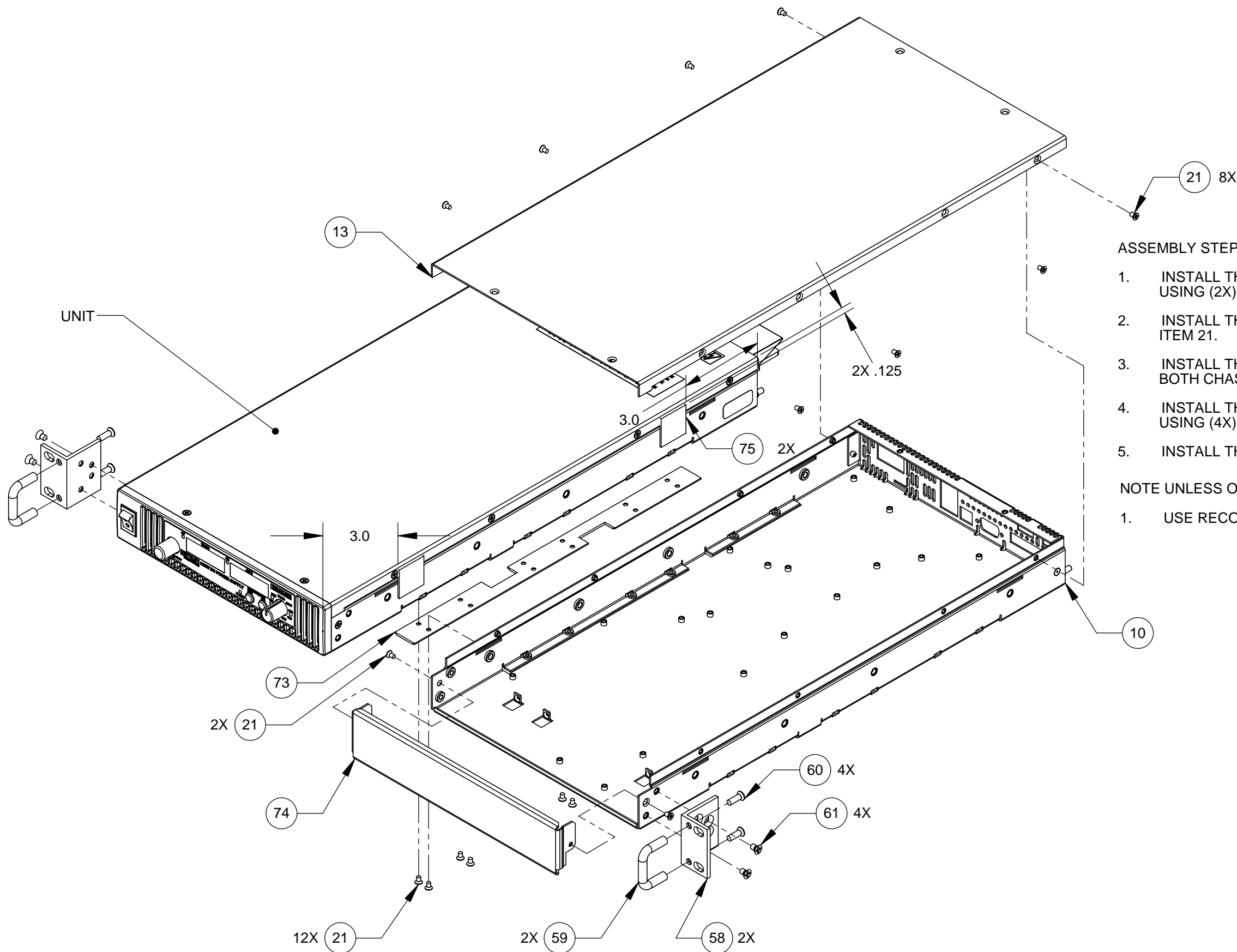


REVISIONS				
ZONE	REV.	DESCRIPTION	DATE	APPROVED
	A	INITIAL RELEASE PER EC-010033	10/06/14	G. STAPP

DENOTE	SIZE	m-N	in-lb
A	M3	0.8 - 0.9	7 - 8
B	M4	1.8 - 2.0	16 - 18
C	8-32	2.0 - 2.2	18 - 20

ITEM	PART NUMBER	DESCRIPTION	QTY
10	9370378-02R	CHASSIS,6-40V,GREY	1
13	9370381-02R	COVER, TOP, GREY	1
△A	21	SCREW, M3 X 5, PFH, SS	22
58	9370071-02R	BRACKET, RACK MTG, GREY	2
59	MH-8125-BA	HANDLE, RND, 1.25", AL, BLK, ANODZ	2
△C	60	SCREW, 8-32 X .500, PFH, 100D, SS	4
△B	61	SCREW, M4X6, FLAT, PHIL, SS, DIN965	4
73	9370427-02R	PLATE, RK MNT CONN, GREY	1
74	9370072-02R	PLATE, FRONT, RACK KIT, GREY	1
75	109-704-25	FOAM, 1 INCH, SQ, ADH, 2-SIDE, WHT	2



ASSEMBLY STEPS: (UNIT CAN BE INSTALLED EITHER LEFT OR RIGHT SIDE)

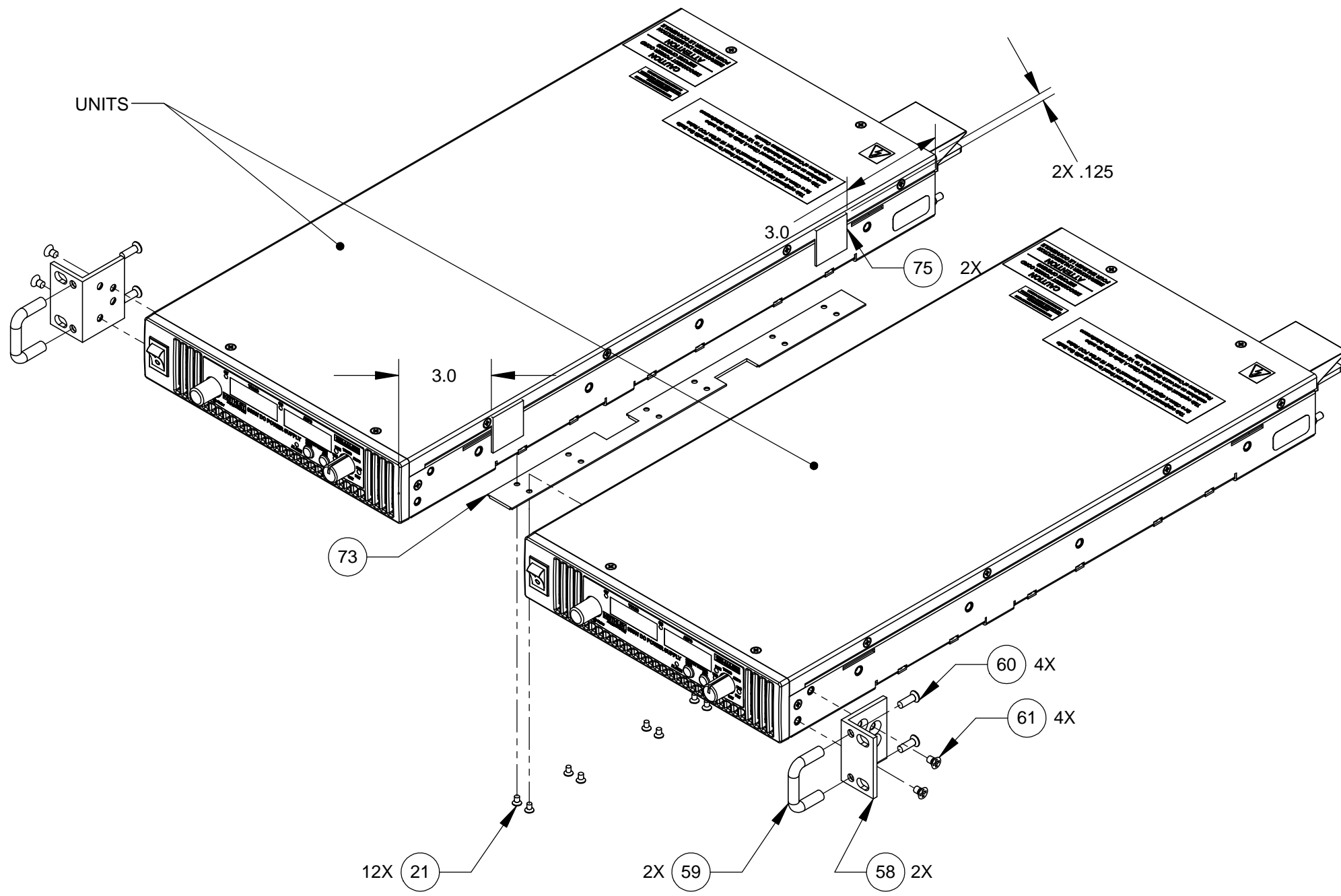
1. INSTALL THE FRONT COVER PLATE, ITEM 74, TO THE CHASSIS, ITEM 10, USING (2X) M3 SCREWS, ITEM 21.
2. INSTALL THE TOP COVER, ITEM 13, TO THE CHASSIS USING (8X) M3 SCREWS, ITEM 21.
3. INSTALL THE CONNECTOR PLATE, ITEM 73, TO THE UNDERSIDE OF BOTH CHASSIS USING (12X) M3 SCREWS, ITEM 21.
4. INSTALL THE HANDLES, ITEM 59, TO THE RACK BRACKETS, ITEM 58, USING (4X) 8-32 FLAT HEAD SCREWS, ITEM 60.
5. INSTALL THE RACK BRACKETS USING (4X) M4 FLAT HEAD SCREWS, ITEM 61.

NOTE UNLESS OTHERWISE SPECIFIED:

1. USE RECOMMENDED TORQUE FOR ALL FASTENERS.

DENOTE	SIZE	m-N	in-lb
A	M3	0.8 - 0.9	7 - 8
B	M4	1.8 - 2.0	16 - 18
C	8-32	2.0 - 2.2	18 - 20

ITEM	PART NUMBER	DESCRIPTION	QTY	
-	-	-	-	
-	-	-	-	
△A	21	110-M3F-05	SCREW,M3 X 5,PFH,SS	12
	58	9370071-02R	BRACKET,RACK MTG,GREY	2
	59	MH-8125-BA	HANDLE,RND,1.25",AL,BLK,ANODZ	2
△C	60	110EG20-08	SCREW,8-32 X .500,PFH,100D,SS	4
△B	61	060-3029	SCREW,M4X6,FLAT,PHIL,SS,DIN965	4
	73	9370427-02R	PLATE,RK MNT CONN,GREY	1
-	-	-	-	
	75	109-704-25	FOAM,1 INCH,SQ,ADH,2-SIDE,WHT	2



ASSEMBLY STEPS:

1. INSTALL THE CONNECTOR PLATE, ITEM 73, TO THE UNDERSIDE OF BOTH CHASSIS USING (12X) M3 SCREWS, ITEM 21.
2. INSTALL THE HANDLES, ITEM 59, TO THE RACK BRACKETS, ITEM 58, USING (4X) 8-32 FLAT HEAD SCREWS, ITEM 60.
3. INSTALL THE RACK BRACKETS USING (4X) M4 FLAT HEAD SCREWS, ITEM 61.

NOTE UNLESS OTHERWISE SPECIFIED:

1. USE RECOMMENDED TORQUE FOR ALL FASTENERS.