

Keithley Instruments
28775 Aurora Road
Cleveland, Ohio 44139
1-800-833-9200
tek.com/keithley

Description

The Keithley Instruments Model CS-1391 is a 50 Ω SMA tee adapter (female-male-female) with a nickel-plated brass body.

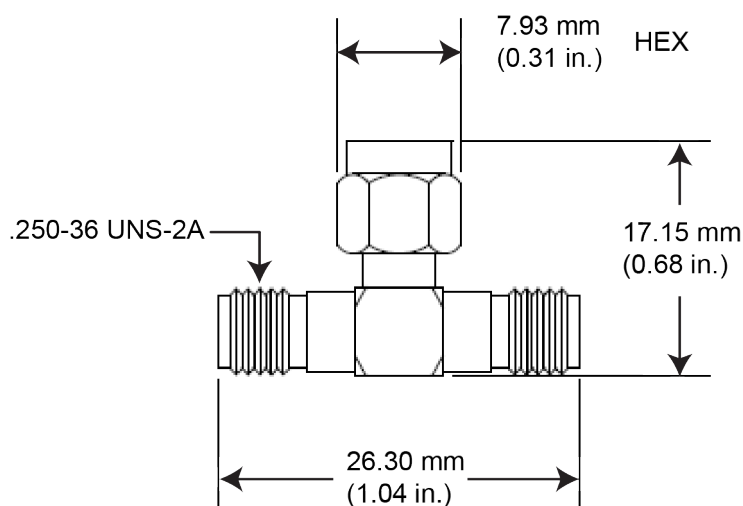
Figure 1: CS-1391 SMA tee F-M-F



The items shipped may vary from items in the picture.

Dimensions

Figure 2: CS-1391 SMA tee adapter F-M-F



Electrical characteristics

Voltage rating: 335 V_{RMS}

