

Keithley Instruments
28775 Aurora Road
Cleveland, Ohio 44139
1-800-935-5595
<http://www.keithley.com>

BNC Tee Adapter, F-M-F

Description

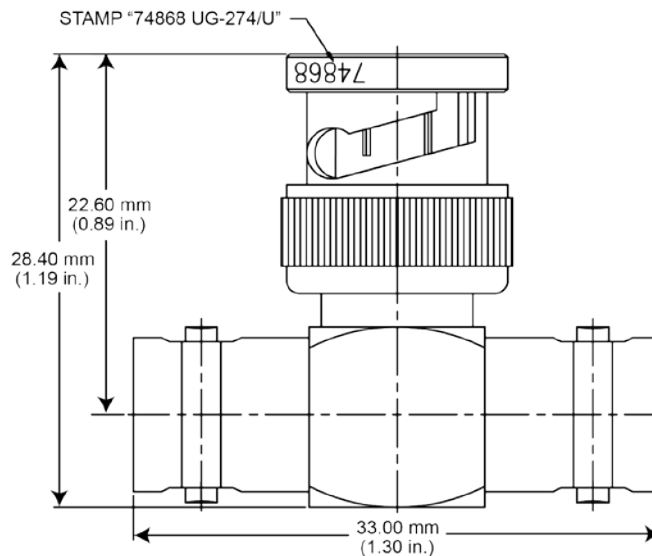
The Keithley Instruments CS-701 BNC Tee Adapter (F-M-F) features a brass body with nickel plating.

Figure 1: CS-701 BNC tee adapter



Dimensions

Figure 2: CS-701 BNC tee adapter



Electrical characteristics

- Impedance: 50 Ω
- Frequency range: DC 0 - 4 GHz
- Dielectric withstanding voltage: 1500 V_{RMS}, minimum
- Temperature range: - 65° C (149° F) to 165° C (329° F)

