

Keithley Instruments
28775 Aurora Road
Cleveland, Ohio 44139
1-800-833-9200
tek.com/keithley

BNC Tee Adapter, F-M-F

Description

The Keithley Instruments CS-701 BNC Tee Adapter (F-M-F) features a brass body with nickel plating.

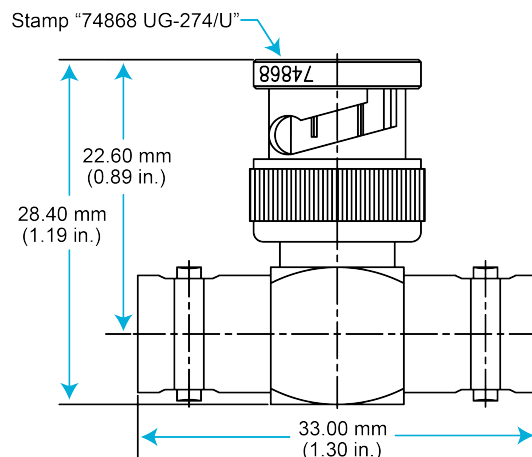
Figure 1: CS-701 BNC tee adapter



The item shipped may vary from the item in the picture

Dimensions

Figure 2: CS-701 BNC tee adapter dimensions



Electrical characteristics

- Impedance: 50 Ω
- Frequency range: DC 0 GHz to 4 GHz
- Dielectric withstanding voltage: 1500 V_{RMS}, minimum
- Temperature range: -65° C to 165° C

