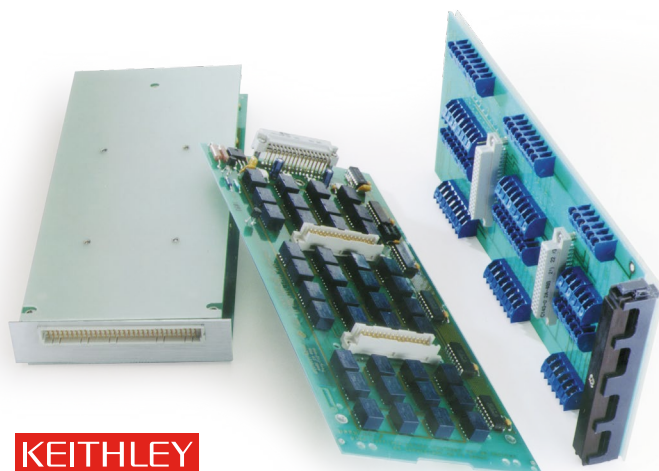


7011-C, 7011-S 40-channel Multiplexer Cards Quad 1x10 Multiplexer Configuration

Datasheet



KEITHLEY
A Tektronix Company

The 7011 40-channel multiplexer has four independent banks of 1x10 switching. Each channel is 2-pole. These four banks can be combined for a wide variety of switching configurations—for example, dual 1x20, or 1x10 and 1x30, or one large 1x40. The 7001 mainframe can automatically configure the 7011 to switch 4-pole signals by combining channel pairs. This gives you a dual 1x10 4-pole multiplexer or a single 1x20 4-pole multiplexer.

Key Features

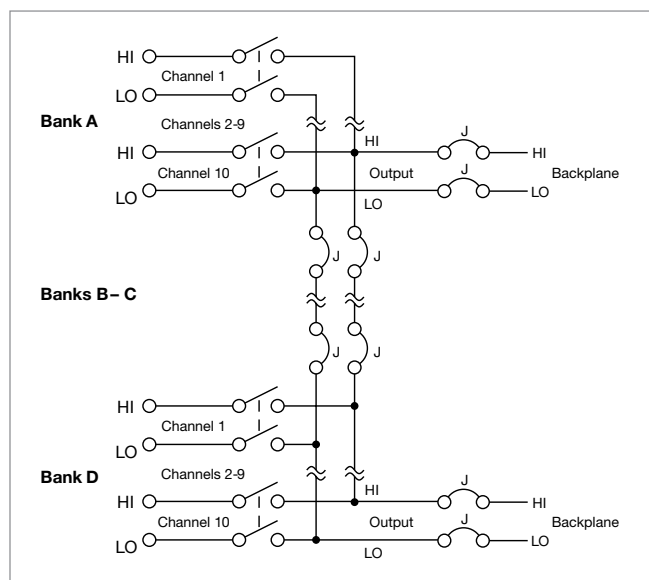
- Quad 1x10 multiplexer for
- 2-, 4-, or 8-pole operation
- Connects to 7001/7002 backplane for easy expandability
- 500 nV, 100 pA offsets

Each of the four multiplexer outputs on this card connects to the 7001/7002 analog backplane through removable jumpers for even greater flexibility. Two 7011 cards can be used to make a single 1x80 multiplexer with all intercard connections through the backplane. The 7011 multiplexer outputs can also be connected to the rows of the 7012 via the backplane for row expansion.

These cards automatically configure the 7001 or 7002 mainframe. Two connection options are available, screw terminal for maximum flexibility or a single 96-pin quick disconnect connector.

Notice to EU Customers

This product is not updated to comply with the RoHS 2 Directive 2011/65/EU and will not be shipped to the EU. Customers may be able to purchase products from inventory that were placed on the EU market prior to July 22, 2017 until supplies are depleted. Tektronix is committed to helping you with your solution needs. Please contact your local sales representative for further assistance or to determine if alternative product(s) are available. Tektronix will continue service to the end of worldwide support life.



Specifications

Multiplex Configuration	Four independent 1×10 2-pole multiplex banks or two independent 1×10 4-pole multiplex banks. Adjacent banks can be connected together. Jumpers can be removed to isolate any bank from the backplane.
Contact Configuration	2-pole Form A (HI, LO).
Connector Type	7011-C: 96-pin male DIN connector. 7011-S: Screw terminal, #16 AWG maximum wire size, with 0.092 inch O.D. 28 conductors per card maximum. #22 AWG typical wire size with 0.062 inch O.D. 88 conductors per card maximum.
Maximum Signal Level	DC Signals: 110 V DC between any two pins, 1 A switched. 30 VA (resistive load). AC Signals: 125 V rms and 175 V AC peak, between any two pins, 1 A switched, 60 VA (resistive load).
Common Mode Voltage	175 V peak, any pin to chassis.
Contact Life	Cold Switching: 10 ⁸ closures. At Maximum Signal Levels: 10 ⁵ closures.
Channel Resistance (per conductor)	<1 Ω.
Contact Potential	7011-C: <1 μV per channel contact pair. <3 μV typical per single contact. 7011-S: <2 μV per contact pair. <5 μV typical per single contact.
Offset Current	<100 pA.
Actuation Time	3 ms.
ISOLATION	Bank: >10 ⁹ Ω, <25 pF. Channel to Channel: >10 ⁹ Ω, <50 pF. Differential: Configured as 1×10: >10 ⁹ Ω, <100 pF. Configured as 1×40: >10 ⁹ Ω, <200 pF. Common Mode: Configured as 1×10: >10 ⁹ Ω, <200 pF. Configured as 1×40: >10 ⁹ Ω, <600 pF.
Crosstalk (1 MHz, 50 Ω Load)	Bank: <-40 dB. Channel: <-40 dB.
Insertion Loss (50 Ω Source, 50 Ω Load)	<0.1 dB below 1 MHz, <3 dB below 2 MHz.
Relay Drive Current (per relay)	16 mA.

Available Accessories

For 7011-C

7011-KIT-R	96-pin Female Connector Kit
7011-MTC-1	96-pin Mass Terminated Cable, Female to Female, 1 m
7011-MTC-2	96-pin Mass Terminated Cable, Female to Female, 2 m

Available Services

7011-C-3Y-EW	1-year factory warranty extended to 3 years from date of shipment
7011-S-3Y-EW	1-year factory warranty extended to 3 years from date of shipment

Ordering Information

7011-C	Quad 1×10 Multiplexer with 96-pin Mass Terminated Connector Board
7011-S	Quad 1×10 Multiplexer with Screw Terminal Connector Board

Warranty Information

Warranty Summary	This section summarizes the warranties of the 7011. For complete warranty information, refer to the 7011 Reference Manual. Any portion of the product that is not manufactured by Keithley is not covered by this warranty and Keithley will have no duty to enforce any other manufacturer's warranties.
Hardware Warranty	Keithley Instruments, Inc. warrants the Keithley manufactured portion of the hardware for a period of one year from defects in materials or workmanship; provided that such defect has not been caused by use of the Keithley hardware which is not in accordance with the hardware instructions. The warranty does not apply upon any modification of Keithley hardware made by the customer or operation of the hardware outside the environmental specifications.
Software Warranty	Keithley warrants for the Keithley produced portion of the software or firmware will conform in all material respects with the published specifications for a period of ninety (90) days; provided the software is used on the product for which it is intended in accordance with the software instructions. Keithley does not warrant that operation of the software will be uninterrupted or error-free, or that the software will be adequate for the customer's intended application. The warranty does not apply upon any modification of the software made by the customer.

Contact Information:

Australia* 1 800 709 465
Austria 00800 2255 4835
Balkans, Israel, South Africa and other ISE Countries +41 52 675 3777
Belgium* 00800 2255 4835
Brazil +55 (11) 3759 7627
Canada 1 800 833 9200
Central East Europe / Baltics +41 52 675 3777
Central Europe / Greece +41 52 675 3777
Denmark +45 80 88 1401
Finland +41 52 675 3777
France* 00800 2255 4835
Germany* 00800 2255 4835
Hong Kong 400 820 5835
India 000 800 650 1835
Indonesia 007 803 601 5249
Italy 00800 2255 4835
Japan 81 (3) 6714 3010
Luxembourg +41 52 675 3777
Malaysia 1 800 22 55835
Mexico, Central/South America and Caribbean 52 (55) 56 04 50 90
Middle East, Asia, and North Africa +41 52 675 3777
The Netherlands* 00800 2255 4835
New Zealand 0800 800 238
Norway 800 16098
People's Republic of China 400 820 5835
Philippines 1 800 1601 0077
Poland +41 52 675 3777
Portugal 80 08 12370
Republic of Korea +82 2 6917 5000
Russia / CIS +7 (495) 6647564
Singapore 800 6011 473
South Africa +41 52 675 3777
Spain* 00800 2255 4835
Sweden* 00800 2255 4835
Switzerland* 00800 2255 4835
Taiwan 886 (2) 2656 6688
Thailand 1 800 011 931
United Kingdom / Ireland* 00800 2255 4835
USA 1 800 833 9200
Vietnam 12060128

* European toll-free number. If not accessible, call: +41 52 675 3777



Find more valuable resources at TEK.COM

