

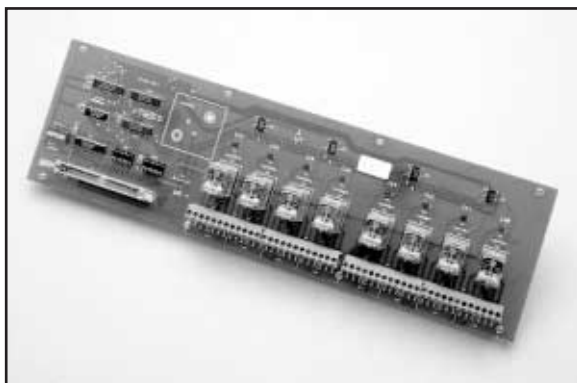
MEM-8

8-Channel Electromechanical Relay Board For the METRABUS

Functional Description

Keithley's MEM-8 is an 8-channel DPDT relay board for the METRABUS system. The standard Double Pole Double Throw relays used each have two normally open and normally closed contacts which are rated up to 5 amps (resistive) at 120 VAC or 28 VDC. These relays offer zero leakage currents in their off state, unlike solid-state relays. The MEM-8 uses one address within the 64-bit METRABUS address space. As with other METRABUS output boards, a data read back feature is included which allows the user to check that proper data was received by the board. Annunciator LEDs, one for each relay, light when their associated relay is activated.

The MEM-8 uses industry standard plug-in relays. This allows the user to install a variety of special relays if system requirements call for them. Detachable screw terminals on the board offer easy connection to your application and will accept wire sizes 14 to 22 AWG.



FEATURES

- 8 DPDT plug-in relays
- 5-Amp contact ratings
- 500 Vrms isolation
- Screw terminals accept 14 – 22 AWG wire
- LEDs indicate activated relays
- Fully compatible with the METRABUS system
- Relays remain off when power turned on
- Data read-back feature to check output data integrity
- Detachable screw terminals greatly reduce field wiring and replacement time
- Very low cost per channel

APPLICATIONS

- Energy management
- Motor starter control
- Signal multiplexing
- Alarm activation
- Lighting control

SPECIFICATIONS

METRABUS ADDRESS SPACE

1 address

POWER REQUIREMENTS

+5V: 120mA (+180mA/activated relay)
±15V: not used

PHYSICAL

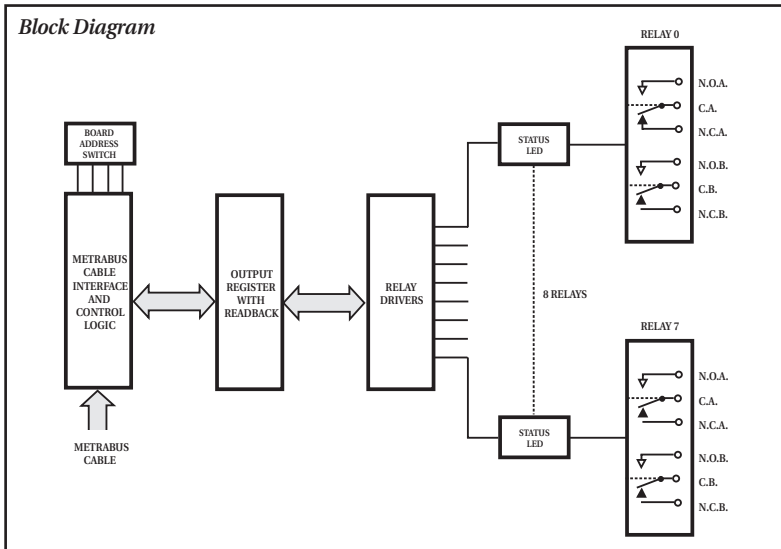
DIMENSIONS: 16in H × 4.75in W (40.63cm H × 12.06cm W)
OPERATING TEMPERATURE: 0 to 70°C
STORAGE TEMPERATURE: -20 to 100°C
HUMIDITY: 0 to 90% non-condensing

RELAYS

QUANTITY AND TYPE: 8 DPDT
ISOLATION: 1000V rms
CONTACT MATERIAL: Silver-cadmium oxide standard, other types available
CONTACT RATING: 5A at 120VAC resistive
5A at 28VDC resistive
OPERATE TIME: 30ms max
RELEASE TIME: 10ms max

LIFE EXPECTANCY

MECHANICAL: 100 million operations
ELECTRICAL: 100 thousand at rated load



ORDER	DESCRIPTION
MEM-8	METRABUS 8-Channel Electromechanical Relay Board

QUESTIONS?

1-800-552-1115 (U.S. only)

Call toll free for technical assistance, product support or ordering information, or visit our website at www.keithley.com.