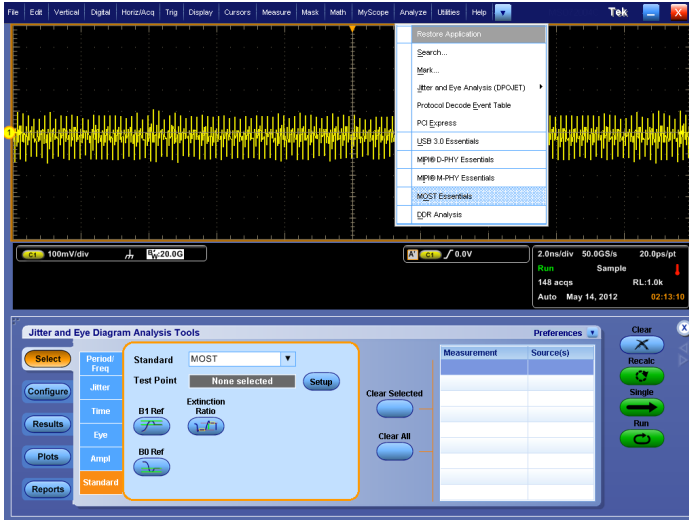


MOST50 and MOST150 Compliance Solution

MOST Essentials Datasheet



Option MOST launched from Tektronix oscilloscope Analyze menu and provides both MOST50 and MOST150 measurements.

Features and Benefits

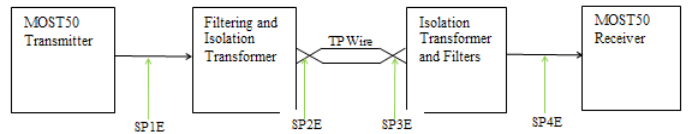
- Automated DPOJET MOST Setup Library reduces the complexity of executing MOST50 and MOST150 tests, significantly saves test time and resource costs, and enables you to test devices faster
- Automates 100% normative compliance test coverage for all test points of both MOST50 and MOST150 specifications. In addition, it includes informative tests for MOST150-SP3 test points
- Seamless debug allows pausing on each automated test, and switching to configurations for detailed analysis and debug on all tests
- Automated setups ensure better accuracy and repeatability of results, and avoids requiring the test engineer to be an expert on MOST50 and MOST150 testing procedures
- Single oscilloscope setup enables signal integrity tests for both electrical and optical test points of MOST150, using optical-to-electrical converter probes
- Flexible Setup Library allows modifying the setting and limits of the temperature oven and other environmental testing conditions
- Fully customizable Setup Library allows adding additional measurements to the test suite for comprehensive characterization

Applications

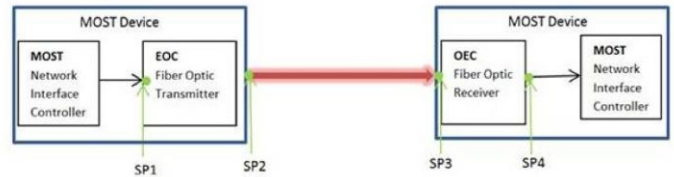
- MOST50 host and device silicon characterization, debug, and validation
- MOST150 host and device silicon characterization, debug, and validation
- MOST system integration and validation
- MOST manufacturing test

MOST50 and MOST150 Validation with MOST Essentials

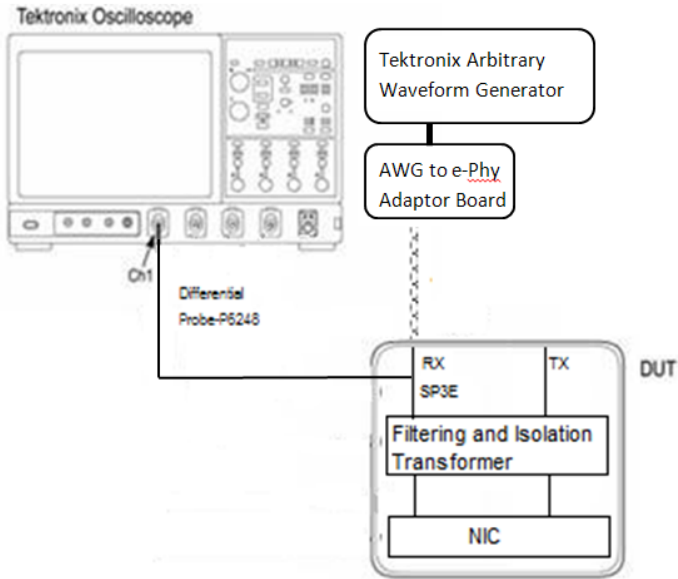
DPOJET software with automated MOST Essentials Setup Library provides a complete set of measurements required for MOST50 and MOST150 compliance testing. MOST Essentials enables characterization, debug analysis, and conformance testing according to the MOST base specification and conformance specifications.



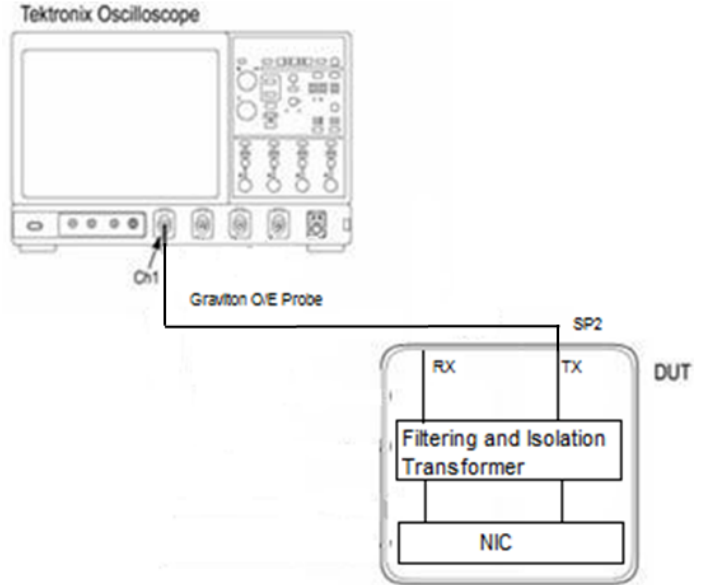
Location of MOST50 specification test points.



Location of MOST150 specification test points.



Test setup diagram of MOST50-SP3E test point.

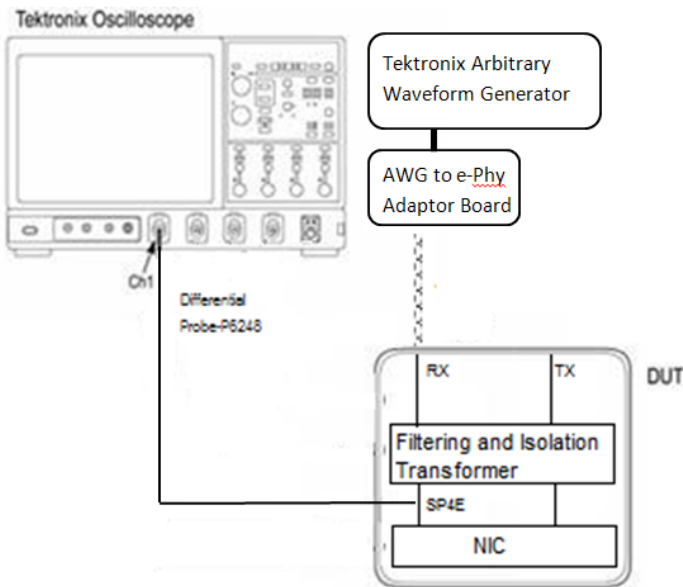


Test setup diagram of MOST150-SP2 test point.

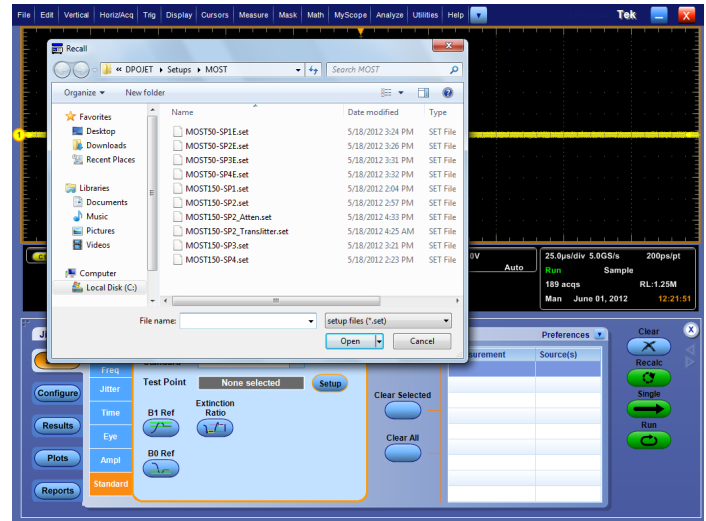
MOST Automated Testing -- Save Time and Resources

There is no longer a need to be an expert on MOST testing procedures. Remembering the exact steps to take each measurement is time consuming and often requires going back to the MOST specifications. MOST Essentials takes the guesswork out of conducting MOST50 and MOST150 compliance testing. Even if you remember how to use the test equipment, it is common for even the most experienced operators to forget steps in the procedure or to set up the correct parameters, such as applying the correct record length and sampling rates.

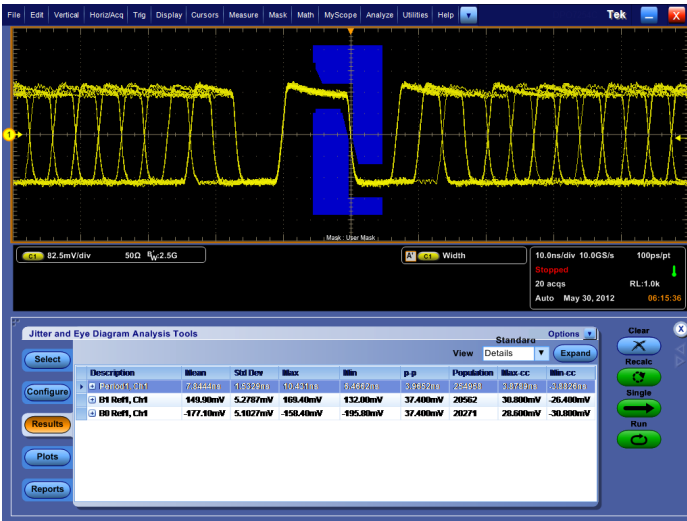
The automated DPOJET Setup Library for MOST provides standard-specific details and predefined scope settings for each measurement, so the user does not need to be an expert. MOST Essentials minimizes the setup initialization problems, reduces the complexity of executing MOST tests, and enables you to test devices faster.



Test setup diagram of MOST50-SP4E test point.



DPOJET Opt. MOST provides 100% test coverage of normative tests for both MOST50 and MOST150, and includes informative tests at MOST150-SP3 test points.



Optical undershoot mask using Opt. MOST Essentials.

100% Test Coverage

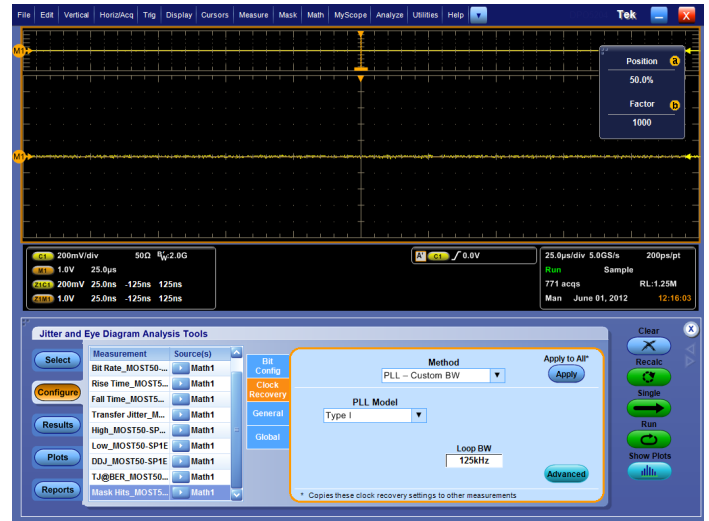
MOST Essentials provides a complete set of normative and informative measurements to be performed across all four test points, for both MOST50 and MOST150 compliance testing. Some of the measurements include Eye Mask Hits, Alignment Jitter, Transfer Jitter, B0/B1, Overshoot, and Undershoot.

Eye Diagram measurement

Eye diagram testing for MOST requires testing mask hits at different segment portions of an eye mask, across different test points for both MOST50 and MOST150.

Overshoot and Undershoot measurements

Measurement of the optical overshoot and undershoot is required to ensure proper operation of the optical receiver. The optical pulse shape is tested with a parameterized mask. The mask parameters are based on the measured optical logic levels b0 and b1 (High Ref and Low Ref). Optical transmitting devices must produce an optical signal complying with the defined mask, when driven with a compliant electrical signal.



Seamless Debug or Setup Customization with Opt. MOST – Example of modifying clock recovery settings for MOST50 and MOST150.

Transferred Jitter and Alignment Jitter measurements

Jitter is the phase deviation between an edge of the waveform and the correlating transition of the recovered UI clock. For transferred jitter, only phase variations coming with rising edges of the waveform are relevant, because only these deviations are tracked by the PLL and impact the recovered clock's phase.

Alignment Jitter is the phase deviation between any edge of the waveform and the correlating transition of the recovered UI clock. Calculating the misalignment between clock and data for each data transition and drawing the successive phase deviations over run time in a graph results in an "AJ-Track" which is the base for further evaluations.

Extinction Ratio measurement

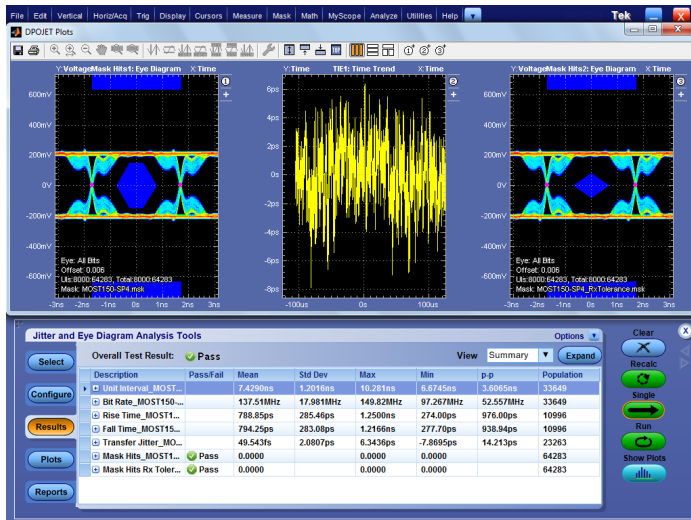
Extinction Ratio is calculated based on the measured optical levels for b1 and b0 (High Ref and Low Ref) by using a high-precision DC-coupled O/E converter.

Seamless debug and analysis with MOST Essentials

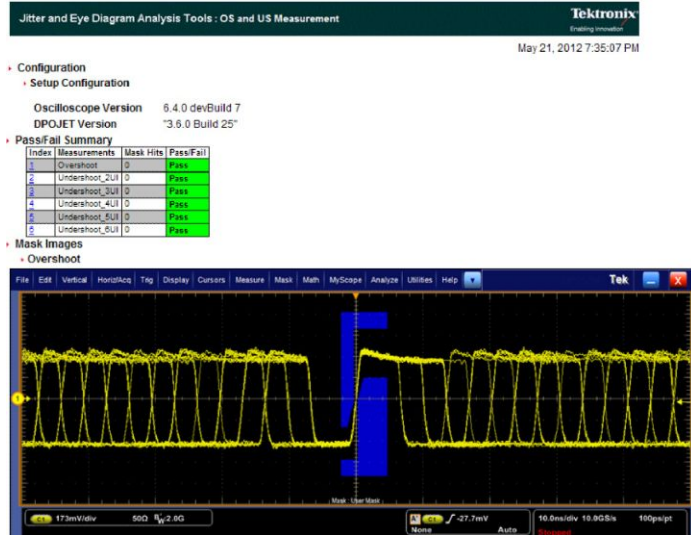
MOST Essentials helps perform step-by-step debugging on failures. MOST Essentials helps debug faster and discover sources of jitter and signal integrity issues more quickly.

Flexible and customizable for characterization

The MOST Essentials Setup Library is highly flexible, and fully customizable. It allows modification of the measurement settings, oscilloscope configurations, limits, and other parameters, and then saving the customized setup. For example, when testing a MOST50 or MOST150 DUT in an automotive temperature chamber setup or when using optical cables or remote XL cables in the setup, a user can define additional filter files and custom limits to fine-tune the setup conditions.



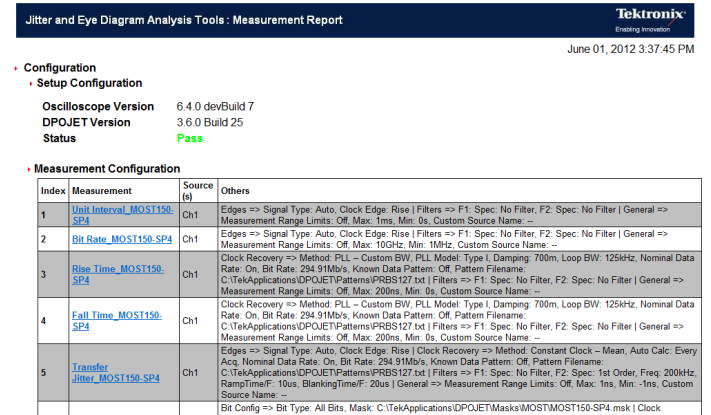
Results for MOST50 and MOST150.



Report for MOST150 on an Overshoot and Undershoot measurement with Pass/Fail summary and oscilloscope waveform screen shots.

Plots and Results

The DPOJET Plot feature for MOST Essentials helps characterize MOST devices with detailed visual representations. The Result section helps design engineers to look at the test results quickly and clearly. The Report section includes details of each test including Limits, Measured Value, Pass/Fail Results, etc.



Report for MOST150-SP4 test point with Pass/Fail status.

Description	Mean	Std Dev	Max	Min	p-p	Population	Max-cc	Min-cc
Unit Interval_Ref1	7.5423ns	1.5253ns	10.225ns	6.7255ns	3.4991ns	63750	3.4757ns	-3.4905ns
Current Acquisition	131.833MHz	22.2430MHz	148.899MHz	87.8030MHz	80.8869MHz	83786	80.7880MHz	80.8384MHz
Bit Rate_Ref1	137.51MHz	17.981MHz	148.82MHz	97.267MHz	52.557MHz	33799	50.7880MHz	50.8384MHz
Current Acquisition	994.87ps	20.877ps	905.97ps	601.16ps	185.80ps	24398	120.25ps	-128.87ps
Current Acquisition	994.87ps	20.877ps	905.97ps	601.16ps	185.80ps	24398	120.25ps	-128.87ps
Fall Time_Ref1	585.33ps	21.264ps	783.26ps	801.16ps	182.06ps	24398	118.70ps	-116.55ps
Current Acquisition	585.33ps	21.264ps	783.26ps	801.16ps	182.06ps	24398	118.70ps	-116.55ps
Transfer Jitter_Ref1	48.823fs	2.4837ps	7.7313ps	-8.8372ps	16.568ps	50040	824.84fs	-562.82fs
Current Acquisition	48.823fs	2.4837ps	7.7313ps	-8.8372ps	16.568ps	50040	824.84fs	-562.82fs
Mask Hits_Ref1	0.0000	0.0000	0.0000	0.0000	0.0000	138031		
Hits In Segment 1	0.0000	0.0000	0.0000	0.0000	0.0000	138031		
Hits In Segment 2	0.0000	0.0000	0.0000	0.0000	0.0000	138031		
Hits In Segment 3	0.0000	0.0000	0.0000	0.0000	0.0000	138031		

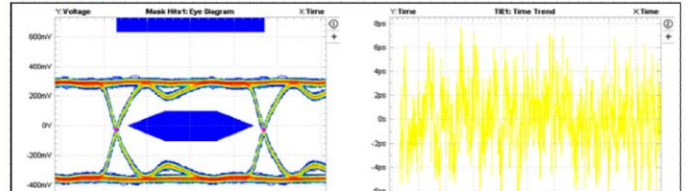
Pass/Fail Summary

Pass/Fail Information

Measurement	Mask Hits	Pass/Fail
Source1	Value	High Limit Low Limit Pass/Fail
Max	0.0000	1 Pass

Plot Images

Measurement Plot(s)



Report for MOST150-SP1 test point with Pass/Fail status, margin details, eye diagram, and other statistics.

Detailed reports

The MOST Essentials application generates thorough HTML/MHT reports that capture the performance, status, and test results of your device. It also captures eye diagrams, oscilloscope waveform screen captures, and test waveforms optionally. The report generation tool also provides features such as Report Appending, Auto-Incrementing Report Naming, Inserting User Comments, Listing Complete Configuration Details, etc. The Report Appending feature enables adding results from each of the four test points for both MOST50 and MOST150, and creating a single, printable report for sharing the results.

Specifications

All specifications are guaranteed unless noted otherwise. All specifications apply to all models unless noted otherwise.

MOST Essentials characteristics

General

Characteristic	Description
MOST50 Specifications	MOST Electrical Physical Layer Compliance Specification, Rev 1.0, 06/2006 MOST Electrical Physical Layer Specification, Rev 1.1, 06/2006
MOST150 Specifications	MOST150 PHY Automotive Physical Layer Sub-specification, Rev. 1.1, 05/2010 MOST150 PHY Compliance Measurement Guideline, Rev 1.1, 06/2010

MOST Essentials characteristics

Test specifications

MOST Essentials – Setup File for Test Points on DUT	MOST Specification – Reference Section	MOST Specification – Symbol(s) / Parameter / Test Name
MOST50-SP1E	Table 2.1	Clock Recovery
	Table 2.2	Transferred Jitter
	Section 3.1.1.1	Transmission Quality
	Table 3.1	Eye-Mask
MOST50-SP2E	Table 2.1	Clock Recovery
	Table 2.2	Transferred Jitter
	Section 3.1.2.1	Transmission Quality
	Table 3.2	Eye-Mask
MOST50-SP3E	Table 2.1	Clock Recovery
	Table 2.2	Transferred Jitter
	—	Transmission Quality
	Table 3.3	Eye-Mask
MOST50-SP4E	Table 2.1	Clock Recovery
	Table 2.2	Transferred Jitter
	—	Transmission Quality
	Table 3.4	Eye-Mask
MOST150-SP1	Table 5.1	Clock Recovery
	Table 5.2	Jtr1, Transferred Jitter
	Table 6.1	A ₁ to H ₁ , Eye-Mask
MOST150-SP2	Table 5.1	Clock Recovery
	Table 6.2	Jtr2, Transferred Jitter
		t _{tr2} , Transition Times
		r _{e2} , Extinction ratio
		A ₂ to H ₂ , Eye-Mask
	—	Alignment Jitter
	Table 6.3	Overshoot
Table 6.4	Undershoot	
MOST150-SP2_Atten	Table 5.1 Clock Recovery	
	Table 6.2	Jtr2, Transferred Jitter
		t _{tr2} , Transition Times
		r _{e2} , Extinction ratio
		A ₂ to H ₂ , Eye-Mask
	—	Alignment Jitter
	Table 6.3	Overshoot
Table 6.4	Undershoot	
MOST150-TransJitter	—	Transferred Jitter
MOST150-SP3 (Informative Only)	—	Transferred Jitter
MOST150-SP4	Table 5.1	Clock Recovery
	Table 6.7	Transferred Jitter
		A ₄ to H ₄ , Eye Mask
Table 8.1	A _{4T} to H _{4T} , Receiver Tolerance	

MOST Essentials characteristics

MOST50 Tests Coverage	MOST50 Tests Point	SP1E	SP2E	SP3E	SP4E
	Measurements Supported	Eye Diagram Transfer Jitter	Eye Diagram Transfer Jitter Bit Rate Deviation	Eye Diagram	Eye Diagram

MOST150 Tests Coverage	MOST150 Test Point	SP1	SP2	SP3 (Informative Only)	SP4
	Measurements Supported	Eye Mask Transfer Jitter	Eye Mask Transfer Jitter Rise and Fall Transition Times Optical Overshoot and Undershoot Extinction Ratio B0 and B1 Level Alignment Jitter	Eye Mask Transfer Jitter Rise and Fall Transition Times Extinction Ratio B0 and B1 Level Alignment Jitter Bit Rate	Eye Mask Transfer Jitter Receiver Tolerance Eye Mark

Ordering information

MOST Essentials

MOST50 and MOST150 Compliance Testing and Debug Software.

MOST - Recommended Oscilloscopes

MOST Essentials software can be installed and run on Tektronix DPO/DSA/MSO Windows 7 Oscilloscopes with bandwidth 350 MHz and above for MOST50 testing, and bandwidth 1 GHz and above for MOST150 testing. For a complete list of required equipment please visit www.tek.com/automotive.

Model	Description
DPO/MSO5000B DPO7000C DPO/MSO70000C/DX	DPO (Digital Phosphor Oscilloscope), DSA (Digital Serial Analyzer), or MSO (Mixed Signal Oscilloscope) Oscilloscopes: - Minimum 350 MHz bandwidth oscilloscope, with Windows 7 OS, is recommended for MOST50 - Minimum 1 GHz bandwidth oscilloscope, with Windows 7 OS, is recommended for MOST150
DPO/MSO5000B Opt. MOST DPO7000C Opt. MOST DPO/MSO70000C/DX Opt. MOST DPO-UP Opt. MOST	MOST Essentials – Electrical Compliance and Debug Test Solution for MOST50 and MOST150 (requires Option DJA)
DPOFL-MOST	MOST Essentials – Floating License (requires Option DJA)

MOST - Recommended Probes

- 1x P6248 Differential Probe (for both MOST50 and MOST150) Please refer to www.tektronix.com/probes for further information on the recommended models of probes and any necessary probe adapters
- 1x Graviton O/E Probe and Optical 80/20 POF 1 mm Splitter (for MOST150 only), orderable from www.graviton.co.jp

MOST - Fixtures

- No test fixtures are needed for MOST Essentials

MOST - Compliance Signal Generation

- 1x AWG7122C/AWG610 Arbitrary Waveform Generator
- 1x AWG-to-ePHY Adapter (SMSC part number EB0803PCB2A), and SMA adapters

- 1x Serial Express Software – For custom patterns using AWG
- 1x MOST co-operation official compliance patterns set for AWGs, from www.mostcooperation.com

MOST - Prerequisite Host System Software Requirements

- Microsoft Windows 7
- Microsoft Internet Explorer 6.0 SP1 or later
- Adobe Reader 6.0 or equivalent software for viewing Portable Document Format (PDF) files

Additional Information

- The MOST Essentials MOI document and MOST Essentials software upgrades are available at www.tektronix.com/downloads

ASEAN / Australasia (65) 6356 3900
Belgium 00800 2255 4835*
Central East Europe and the Baltics +41 52 675 3777
Finland +41 52 675 3777
Hong Kong 400 820 5835
Japan 81 (3) 6714 3086
Middle East, Asia, and North Africa +41 52 675 3777
People's Republic of China 400 820 5835
Republic of Korea +822 6917 5084, 822 6917 5080
Spain 00800 2255 4835*
Taiwan 886 (2) 2656 6688

Austria 00800 2255 4835*
Brazil +55 (11) 3759 7627
Central Europe & Greece +41 52 675 3777
France 00800 2255 4835*
India 000 800 650 1835
Luxembourg +41 52 675 3777
The Netherlands 00800 2255 4835*
Poland +41 52 675 3777
Russia & CIS +7 (495) 6647564
Sweden 00800 2255 4835*
United Kingdom & Ireland 00800 2255 4835*

Balkans, Israel, South Africa and other ISE Countries +41 52 675 3777
Canada 1 800 833 9200
Denmark +45 80 88 1401
Germany 00800 2255 4835*
Italy 00800 2255 4835*
Mexico, Central/South America & Caribbean 52 (55) 56 04 50 90
Norway 800 16098
Portugal 80 08 12370
South Africa +41 52 675 3777
Switzerland 00800 2255 4835*
USA 1 800 833 9200

* European toll-free number. If not accessible, call: +41 52 675 3777

For Further Information. Tektronix maintains a comprehensive, constantly expanding collection of application notes, technical briefs and other resources to help engineers working on the cutting edge of technology. Please visit www.tek.com.

Copyright © Tektronix, Inc. All rights reserved. Tektronix products are covered by U.S. and foreign patents, issued and pending. Information in this publication supersedes that in all previously published material. Specification and price change privileges reserved. TEKTRONIX and TEK are registered trademarks of Tektronix, Inc. All other trade names referenced are the service marks, trademarks, or registered trademarks of their respective companies.



16 Jun 2016 61W-19060-6

