

Keithley Instruments, Inc.  
28775 Aurora Road  
Cleveland, Ohio 44139  
1-888-KEITHLEY  
<http://www.keithley.com>

## High-Voltage Triaxial Feedthrough Connector

### Description

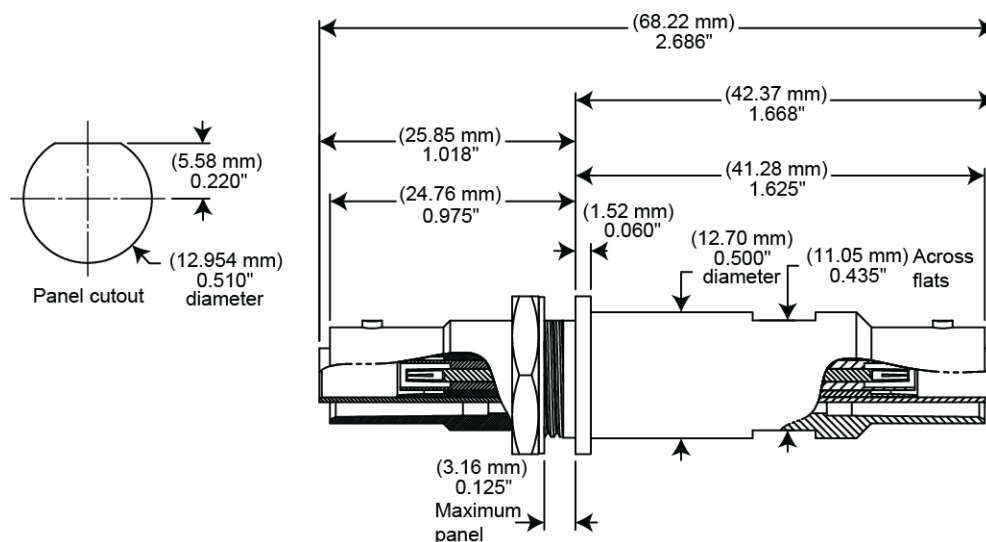
The Model HV-CS-1613 is a high-voltage triaxial panel-mount feedthrough connector. You can use it with any customized test fixture or panel.

Figure 1: Model HV-CS-1613



### Mechanical characteristics

Figure 2: Connector dimensions



### Electrical characteristics

- Maximum working voltage:  $\pm 3300$  V
- Maximum amperage: 2.0 A
- Mates with models: HV-CA-554 or SHV-CA-553
- Maximum torque: 15 in. lb.

