

Keithley Instruments, Inc.
28775 Aurora Road
Cleveland, Ohio 44139
1-888-KEITHLEY
www.keithley.com

Universal Single Unit Rack Mount Kit

Introduction

This instruction sheet contains a parts list and installation information for the Model 4299-3 Universal Single Unit Rack Mount Kit. This kit includes all hardware necessary to mount one half-rack instrument (either Keithley, or Agilent unit) excluding the 260x or other products that are designated to use the rear support feature in a standard 19-inch rack.

Parts list

Table 1 lists the parts supplied with the Model 4299-3 Single Unit Universal Rack Mount Kit4299-1 parts list

4266-1 parts list

Quantity	Description	Keithley Part Number
1	Front Rack Ear	2602-333
6	Cage Nut	FA-274
1	"DO NOT DISCARD" Label	MC-345
4	#8-32 X 3/8 LG Phillips Pan Head Screw	8-32X3/8PPH
6	#10-32 X 5/8 LG Phillips Truss Head Screw	10-32X5/8PHTRSH
1	Half Rack Front Panel	2602-344
4	M4X12 Phillips Pan Head Screw	M4X12PPH

Installation

The following procedure outlines the installation of the rack mount kit.

WARNING *Make sure the instrument that is being installed is in a powered down state with all cables unplugged. Failure to install an instrument in a discharged state may cause an electrical shock or death.*

CAUTION

- *Place the hottest equipment (for example, the power supply), at the top of the rack*
- *Place precision equipment as low as possible in the rack (where temperatures are cooler)*
- *Follow instructions included with Keithley equipment for rack mounting.*

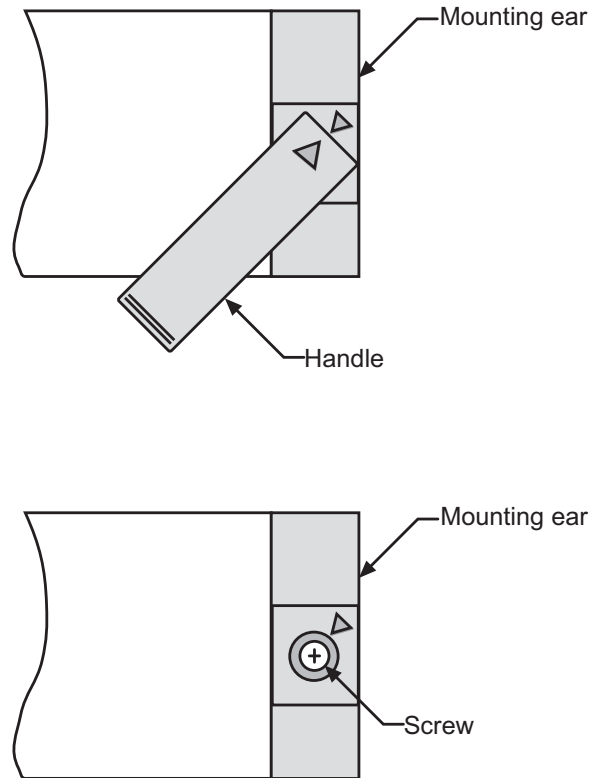
NOTE *1U is a standard vertical spacing and is equal to 1.75 inches. Typical distance between the mounting holes on rack rails is 0.125" (1/8").*

Step 1. Prepare instrument

To prepare the instrument for mounting, remove the handle, the mounting ears, and both rear feet. The following information outlines this process.

1. **Remove the handle** —The handle serves as an adjustable tilt-bail. Adjust its position by gently pulling it away from the sides of the instrument case and swinging it up or down. To remove the handle, swing the handle below the bottom surface of the case and back until the orientation arrows on the handles line up with the orientation arrows on the mounting ears (refer to Figure 1). With the arrows lined up, pull the ends of the handle away from the case.
2. **Remove mounting ears.**
 - Remove the screw that secures each mounting ear.
 - Pull down and out to remove each ear.

Figure 1
Remove handle and mounting ears



2. Remove both rear feet from the instrument by pulling out the rubber feet and then removing the screws underneath.

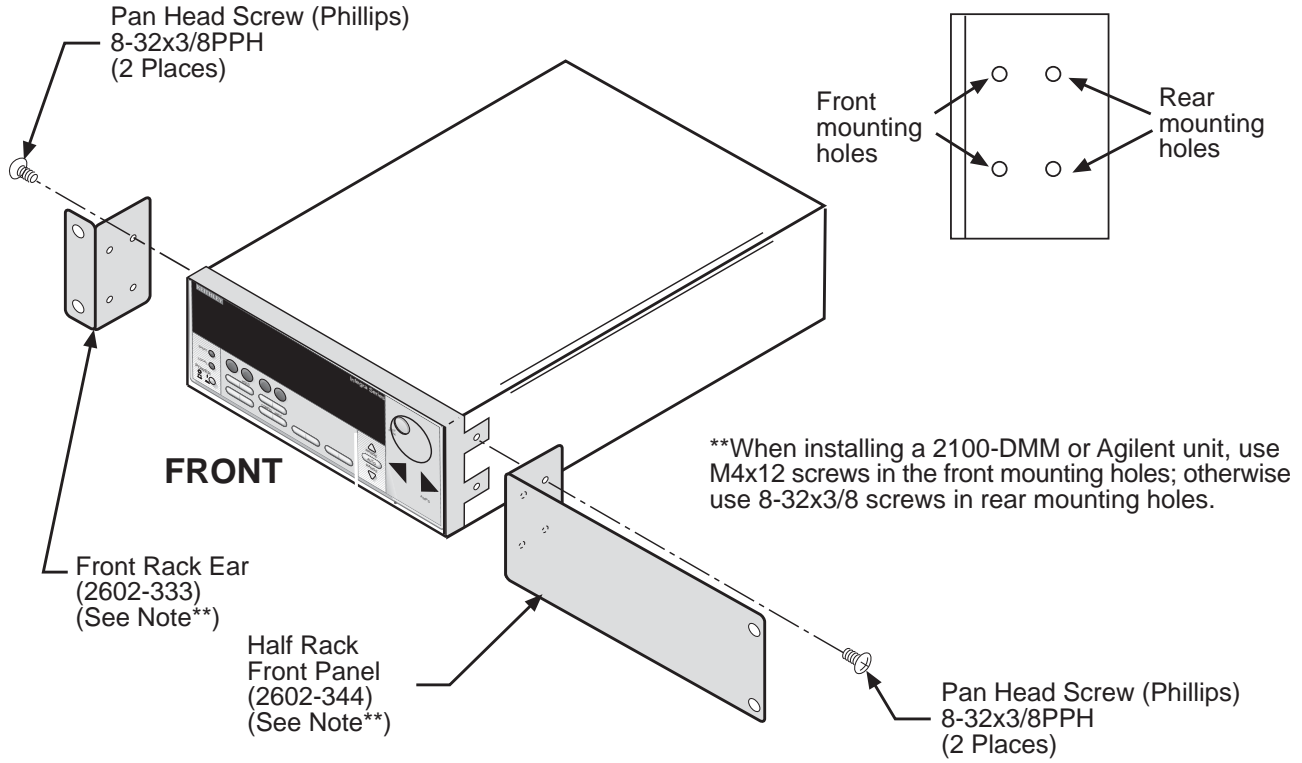
NOTE *Do not re-install the feet mounting screws. Save all parts removed for future bench top use of the instrument.*

Step 2. Install mounting hardware to instrument

NOTE *The instrument may be installed on the rack's right side with the half rack front panel on the left side as shown in the following illustrations, or on the rack's left side with the half rack front panel on the right side (not shown..)*

1. Determine and select the unit's side that is to be installed closest to the rack rail (see Note above).
2. Secure **Front Rack Ear** (2602-333) using two **Pan Head Screws**** (refer to Figure 2).
3. Secure the **Half Rack Front Panel** (2602-344) to the other side of the instrument using the two remaining **Pan Head Screws****.

Figure 2
Attach rack ear and dress panel to instrument

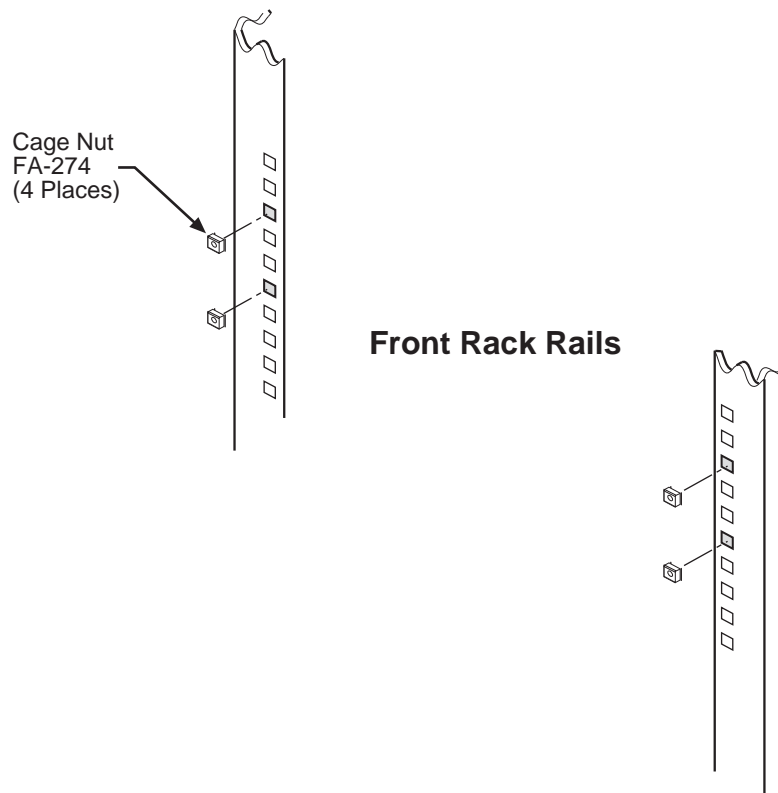


Step 3. Prepare the rack

1. Install the **Cage Nuts** (FA-274) into the front rack holes for the **Front Rack Ear** and the **Half Rack Front Panel** (refer to Figure 3).

NOTE *Cage nuts for the front rack ear, Half Rack Front Panel should be installed into the rails at the same hole spacing (vertical height).*

Figure 3



Step 4. Install the instrument

NOTE *When rack mounting restricts access to the main power cord, provide a separate main power disconnect device. This device must be located in close proximity to the equipment and within easy reach of the operator.*

1. While still supporting the unit, secure it to the front of the rack with four **Truss Head Screws** (10-32x5/8PHTRSH).

Figure 4
Instrument Installation

