

12.5 GHz Bias Tee

PSPL5530B Datasheet

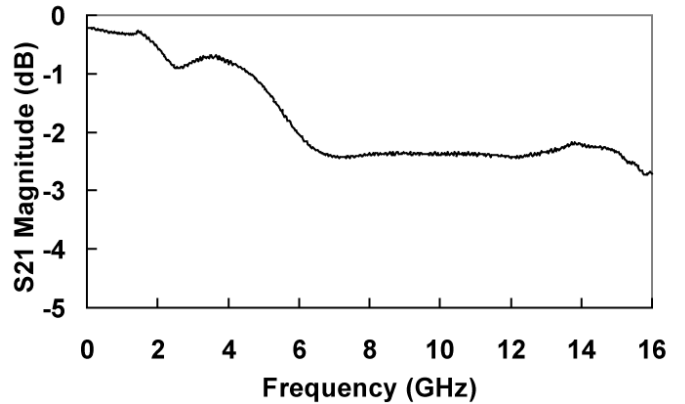


The PSPL5530B is a broadband coaxial bias insertion tee for low current applications such as biasing avalanche photo diodes. It is rated for 200 V. It is designed to pass fast rise time pulses with minimum waveform distortion. The rise time is 35 ps, with a -3 dB bandwidth extending from 20 kHz to 12.5 GHz.

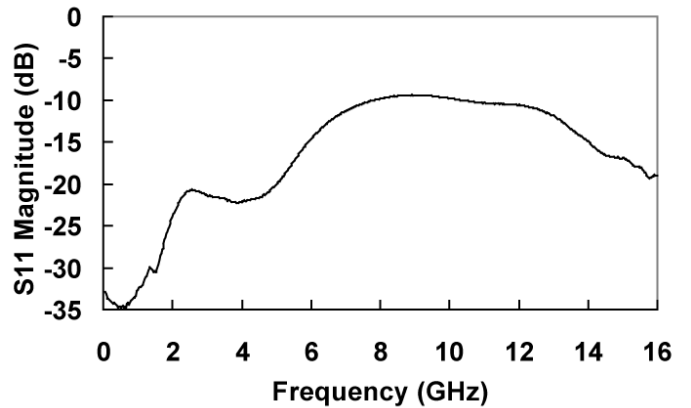
Key performance specifications

- 20 kHz to 12.5 GHz
- 35 ps rise time
- 200 V, 10 mA

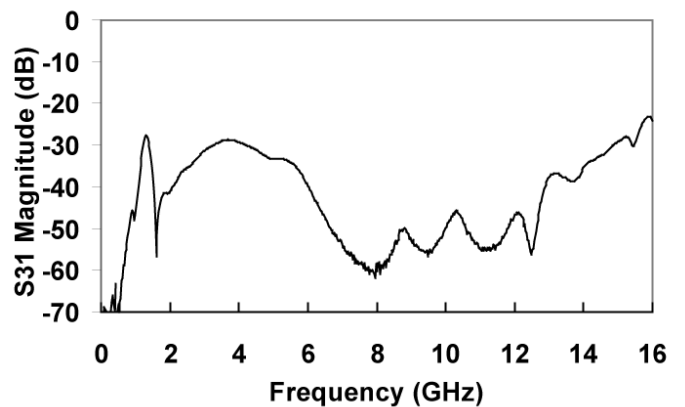
Typical performance



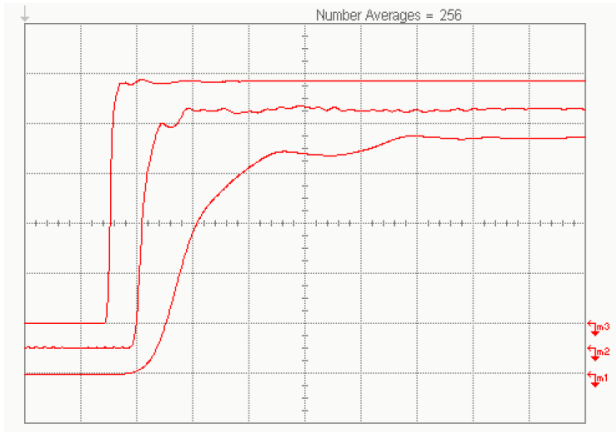
Insertion Loss, AC to AC+DC



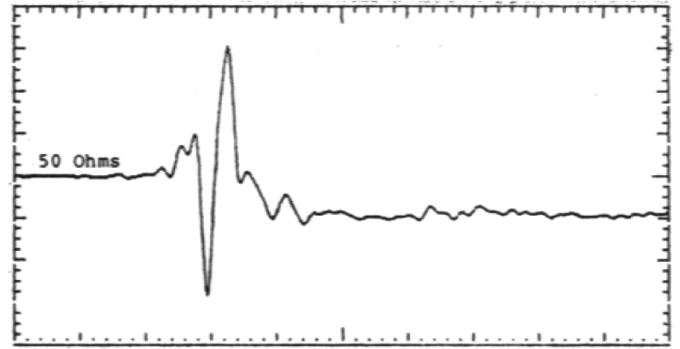
Return Loss, AC Port



Isolation, AC to DC



Top to bottom: 500 ps/div, 100 ps/div, 20 ps/div; Response to Step with 15 ps rise time

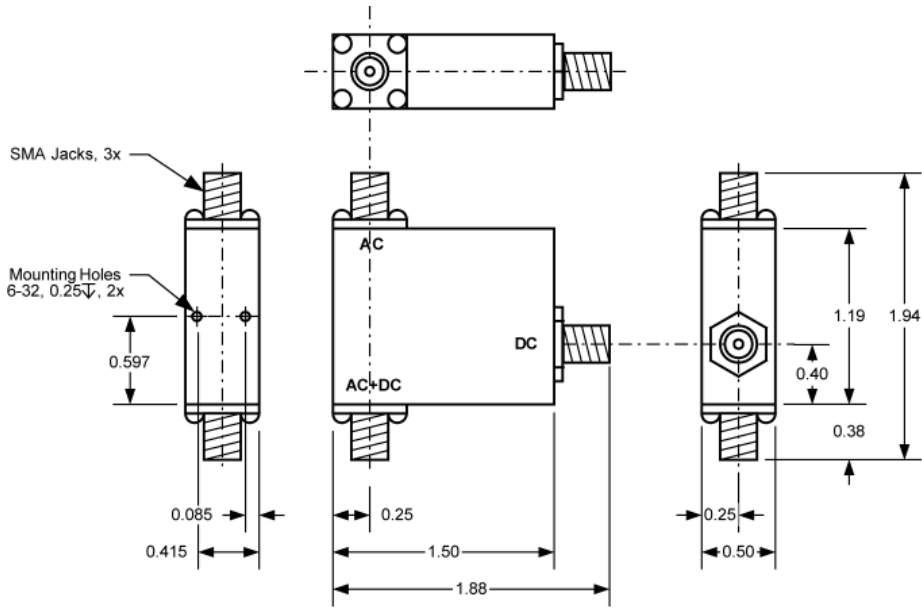


2.5% rho/div and 200 ps/div; 35 ps TDR of AC port

Specifications

Parameter	Symbol	Units	Minimum	Typical	Maximum	Comments
Impedance	Z	ohms		50		
Upper 3 dB frequency	$f_{c,h}$	GHz	10	12.5		
Lower 3 dB frequency	$f_{c,l}$	kHz		20		
Rise time	t_r	ps		35	40	10 – 90%
Insertion loss	S_{21}	dB		0.2	0.5	(0.01 – 1 GHz)
Return loss	S_{11}	dB		$RL > 25 \text{ dB} - 3 \text{ dB} / \text{GHz} * f \text{ (GHz)}$ $RL > 15 \text{ dB} - 1 \text{ dB} / \text{GHz} * f \text{ (GHz)}$		0.1 < f < 5 GHz 5 GHz < f 10 GHz
Refl. Coefficient (35 ps TDR)	Γ	%		± 8 -2.5		t < 200 ps t > 200 ps
DC voltage	V	V			200	
DC current	I	mA			10	
Capacitance	C	μF		0.082		$\pm 20\%$
Resistance	R	k ohms		1		
RF power	P	W			2	Average power
Isolation	S_{13}	dB		45 20		f < 1 GHz f > 1 GHz
DC path bandwidth	$f_{c,DC}$	kHz		30		
RF Connectors	SMA jacks (f)					
DC Connector	SMA jack (f)					
Warranty	One Year					

Mechanical dimensions



Tolerances
.XX = .01
.XXX = .005

Ordering information

Models

PSPL5530B

BIAS TEE, 12.5 GHz, 200 V

ASEAN / Australasia (65) 6356 3900
Belgium 00800 2255 4835*
Central East Europe and the Baltics +41 52 675 3777
Finland +41 52 675 3777
Hong Kong 400 820 5835
Japan 81 (3) 6714 3010
Middle East, Asia, and North Africa +41 52 675 3777
People's Republic of China 400 820 5835
Republic of Korea 001 800 8255 2835
Spain 00800 2255 4835*
Taiwan 886 (2) 2722 9622

Austria 00800 2255 4835*
Brazil +55 (11) 3759 7627
Central Europe & Greece +41 52 675 3777
France 00800 2255 4835*
India 000 800 650 1835
Luxembourg +41 52 675 3777
The Netherlands 00800 2255 4835*
Poland +41 52 675 3777
Russia & CIS +7 (495) 6647564
Sweden 00800 2255 4835*
United Kingdom & Ireland 00800 2255 4835*

Balkans, Israel, South Africa and other ISE Countries +41 52 675 3777
Canada 1 800 833 9200
Denmark +45 80 88 1401
Germany 00800 2255 4835*
Italy 00800 2255 4835*
Mexico, Central/South America & Caribbean 52 (55) 56 04 50 90
Norway 800 16098
Portugal 80 08 12370
South Africa +41 52 675 3777
Switzerland 00800 2255 4835*
USA 1 800 833 9200

* European toll-free number. If not accessible, call: +41 52 675 3777

Updated 10 April 2013

For Further Information. Tektronix maintains a comprehensive, constantly expanding collection of application notes, technical briefs and other resources to help engineers working on the cutting edge of technology. Please visit www.tektronix.com.

Copyright © Tektronix, Inc. All rights reserved. Tektronix products are covered by U.S. and foreign patents, issued and pending. Information in this publication supersedes that in all previously published material. Specification and price change privileges reserved. TEKTRONIX and TEK are registered trademarks of Tektronix, Inc. All other trade names referenced are the service marks, trademarks, or registered trademarks of their respective companies.



08 Sep 2014

1PW-30566-0

www.tektronix.com

