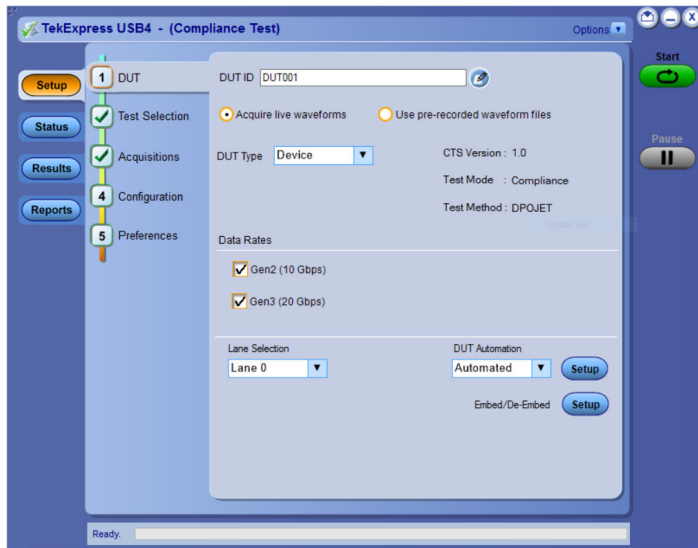


USB4™ Transmitter, Compliance, and Debug Solution

Opt. USB4 Application Datasheet

The Tektronix USB4¹ Compliance and Debug solutions provide an easy way to validate and characterize the emerging USB4™ Router-Host, USB4™ Router-Device, and USB4™ Hubs as per the USB4™ Electrical Compliance Test Specification v1.0. Tektronix DPO/MSO7000SX/DX series (scope BW ≥ 21GHz) supports the Tektronix USB4 Compliance and Debug solutions.

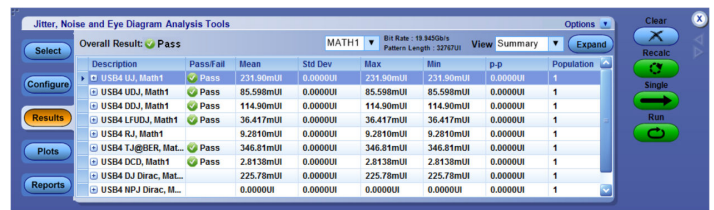


Tektronix USB4 Transmitter Compliance Solution

Key features

- Tektronix USB4 Compliance and Debug solution provide a comprehensive toolset for the USB4™ Gen2 (10 Gbps) and Gen3 (20 Gbps) verification, characterization, debug, and compliance testing.
- Tektronix USB4 solution is compliant with the USB4™ Specification Ver1.0 and USB4™ Router Assembly Electrical Compliance Test Specification Rev 1.0.
- Tektronix DPOJET-USB4 Plug-in solution with setup files and MOI assists the root cause analysis.
- Tektronix USB4 solution supports the Wilder Technologies USB4 Controller and USB4 Electrical Test Tool (ETT).
- Tektronix Serial Data Link Analysis (SDLA) tool supports the De-embedding, Embedding, Equalization (CTLE+DFE), and Custom Channel Characterization.
- The TekExpress USB4 Signal Validation feature validates the compliance pattern to ensure the accuracy of the results.

- The TekExpress USB4 Pre-Recorded Mode supports the offline analysis and baseline for future specification changes.
- The TekExpress USB4 Automatic DUT Control mode captures all the compliance test patterns. So the USB4 Transmitter testing completes without user intervention.
- Tektronix USB4 Automatic DUT Control supports both USB4 Discrete and Integrated (SoC) products.
- Complete both Lane 0 and Lane 1 Transmitter test without flipping the USB Type-C® connector or USB4 High-Speed fixture.
- Quickly validate test results with comprehensive reporting that details test margins, pass/fail results, and plots in PDF, MHT, and CSV formats.

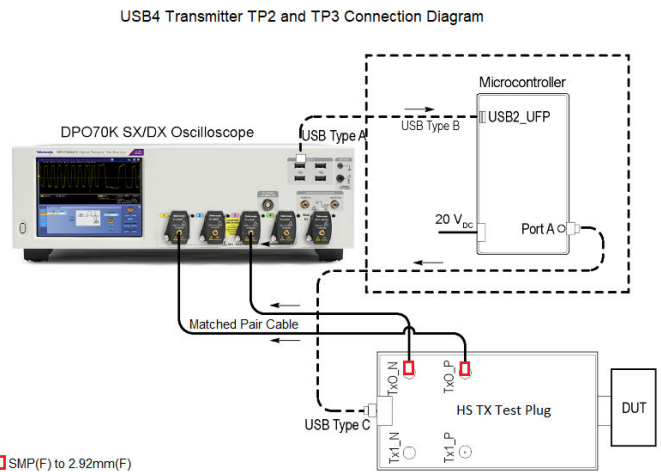


Tektronix USB4 debug solution

Applications

USB transmitter testing

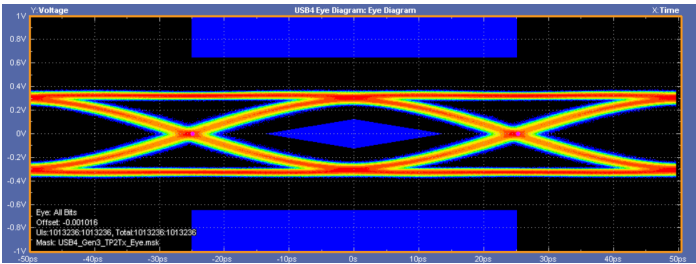
- USB4 Silicon Testing: Host, Device, and Hub
- USB4 Peripheral Testing: Host, Device, and Hub
- Manufacturing testing



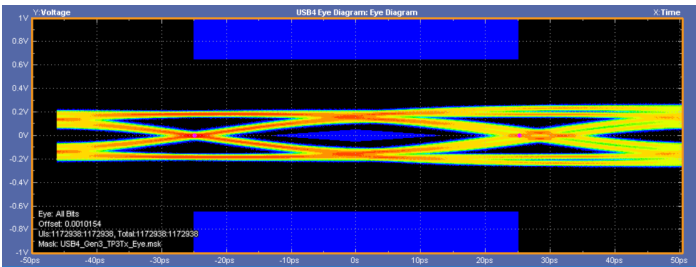
Tektronix USB4 Transmitter connection diagram

¹ USB Type-C®, and USB4™ are trademarks of the Universal Serial Bus Implementers Forum (USB-IF)

Required test procedures (MOI) can be found at: www.tek.com/usb



USB4 Gen3 (20 Gbps) TP2 Eye diagram



USB4 Gen3 (20 Gbps) TP3 Eye diagram with Equalization (CTLE and DFE)

Tektronix TekExpress USB4 Transmitter Test Report

Setup Information			
DUT ID	DUT001	Scope F/W Version	10.11.1 Build 30
Date/Time	9/22/2020 12:02:41 PM	Scope Model	DPO759025X
Acquisition Mode	Live	Scope Serial Number	8300232
DUT Control	Automated	SFC Factory S/W Calibration	PASS/PASS
DUT Type	Device	TekExpress USB4 TX	10.0.1.282
Total Acquisition Time	00:06:53.98	TekExpress Framework	5.2.0.22
Total Analysis Time	00:03:03.52	DPOJET version	10.2.0.17
Over All Test Result	Pass	SDLA version	3.0.9.1
		CTS Version	v1.0
DUT COMMENT: General Comment - USB4 Transmitter DUT			

Minimum Unit Interval							
Measurement Details	Data Rates	Lane	Measured Value	Test Result	Margin	Low Limit	High Limit
MinimumUnitInterval Min	20G	Lane 0	49.995 ps	Pass	LL: 10.248 fs, HL: 49.985 ps	49.985 ps	NA
MinimumUnitInterval Max	20G	Lane 0	49.997 ps	Pass	LL: , HL: 17.633 fs	NA	50.015 ps
COMMENTS							

SSC Down Spread Range							
Measurement Details	Data Rates	Lane	Measured Value	Test Result	Margin	Low Limit	High Limit
SSCDownSpreadRange Min	20G	Lane 0	0.467 %	Pass	LL: 0.067 %, HL: 0.4 %	0.4 %	NA
SSCDownSpreadRange Max	20G	Lane 0	0.476 %	Pass	LL: , HL: 0.024 %	NA	0.5 %
COMMENTS							

Tektronix USB4 Transmitter Compliance Report in MHT format

Ordering information

TekExpress USB 4 Transmitter Compliance and Debug Solution

DPO/MSO70000SX/DX ²	Tektronix DPO (Digital Phosphor Oscilloscope) or MSO (Mixed Signal Oscilloscope) Oscilloscopes – 23 GHz and above with DPOJET (DJA) and SDLA64 installed
DPO/MSO70000SX/DX Opt. USB4 ³	TekExpress USB4 Tx Compliance and DPOJET: USB4 Tx/Rx Measurement Plugin Solution (Requires Opt. CIO, DJA, SDLA64)
DPO-UP USB4 ³	TekExpress USB4 Tx Compliance and DPOJET: USB4 Tx/Rx Measurement Plugin Solution (Requires Opt. CIO, DJA, SDLA)
DPOFL-USB4 ³	TekExpress USB4 Tx Compliance and DPOJET: USB4 Tx/Rx Measurement Plugin Solution (Requires Opt. CIO, DJA, SDLA64); Floating
DPOFT-USB4 ³	TekExpress USB4 Tx Compliance and DPOJET: USB4 Tx/Rx Measurement Plugin Solution (Requires Opt. CIO, DJA, SDLA64); Floating Trial

Recommended USB4 Controller, High-Speed test fixture, and accessories

Item	Vendor	Quantity
USB4 Controller and High-Speed Test Fixtures: 640-0961-000	Wilder Technologies	1
SMP(F) to 2.92mm(F) Adapter: SM8852	Fairview Microwave	Min 4
[Optional] SMP Terminators: ST2643	Fairview Microwave	4
PMCABLE1M Phase Matched SMA cable set	Tektronix	2

Oscilloscope and software prerequisite requirements

Operating System	DPO/MSO70000SX/DX with Microsoft Windows 10 OS
DUT Control Tool	The USB4 Electrical Test Tool (ETT) v 0.9.5 (or above) should be available on the oscilloscope. The USB4 ETT is available on the USB-IF Test Tools site www.usb.org/document-library/usb4ett).
Controller Driver and Software	Wilder Technologies USB4 Controller Driver and Software should be available on the oscilloscope. Contact Wilder Technologies for software support.

² Required items: Opt DJA and Opt SDLA64. Optional items: Opt 10XL and DPO7AFP.

³ Requires Opt. CIO, DJA, and SDLA64, and ≥ 21 GHz oscilloscope.

ASEAN / Australasia (65) 6356 3900
Belgium 00800 2255 4835*
Central East Europe and the Baltics +41 52 675 3777
Finland +41 52 675 3777
Hong Kong 400 820 5835
Japan 81 (120) 441 046
Middle East, Asia, and North Africa +41 52 675 3777
People's Republic of China 400 820 5835
Republic of Korea +822 6917 5084, 822 6917 5080
Spain 00800 2255 4835*
Taiwan 886 (2) 2656 6688

Austria 00800 2255 4835*
Brazil +55 (11) 3759 7627
Central Europe & Greece +41 52 675 3777
France 00800 2255 4835*
India 000 800 650 1835
Luxembourg +41 52 675 3777
The Netherlands 00800 2255 4835*
Poland +41 52 675 3777
Russia & CIS +7 (495) 6647564
Sweden 00800 2255 4835*
United Kingdom & Ireland 00800 2255 4835*

Balkans, Israel, South Africa and other ISE Countries +41 52 675 3777
Canada 1 800 833 9200
Denmark +45 80 88 1401
Germany 00800 2255 4835*
Italy 00800 2255 4835*
Mexico, Central/South America & Caribbean 52 (55) 56 04 50 90
Norway 800 16098
Portugal 80 08 12370
South Africa +41 52 675 3777
Switzerland 00800 2255 4835*
USA 1 800 833 9200

* European toll-free number. If not accessible, call: +41 52 675 3777

For Further Information. Tektronix maintains a comprehensive, constantly expanding collection of application notes, technical briefs and other resources to help engineers working on the cutting edge of technology. Please visit www.tek.com.

Copyright © Tektronix, Inc. All rights reserved. Tektronix products are covered by U.S. and foreign patents, issued and pending. Information in this publication supersedes that in all previously published material. Specification and price change privileges reserved. TEKTRONIX and TEK are registered trademarks of Tektronix, Inc. All other trade names referenced are the service marks, trademarks, or registered trademarks of their respective companies.