

# Keithley Rack Mount Kits Selector Guide

## SELECTOR GUIDE: RACK MOUNT KITS

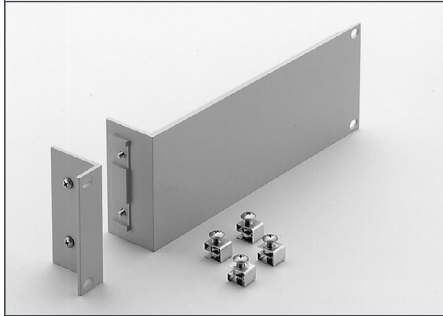
Instrument	Fixed Single	Fixed Dual	Shelf	Rear or Rail Support
Series 2000, Series 2300 (Battery Simulators), Series 2500, 2182A, 2700, 2701, 6220, 6221, 6485, 6487, 6514, 6517B	4288-1	4288-2	4299-7	
Series 2100, Series 2400, 3390, 6430	4299-3			
Series 2200			4299-7	
Series 2220, Series 2230			4299-7 4299-14	
Series 2260B			2260B-RMK-EIA 2600B-RMK-JIS	
2290-10			4299-7	
2380 Series			4299-7 <sup>1</sup>	2380-RM <sup>2</sup>
2280S, 2281S, 2450, 2460, 2461, DAQ6510, DMM6500, DMM7510	4299-8	4299-9	4299-14 <sup>2</sup>	
Series 2600B	4299-1	4299-2		
707B	Included with the 707B			
Series 3700A				4288-10
DMM2606B	4299-13			

1. 2380-RM mounts 2380-500-30.

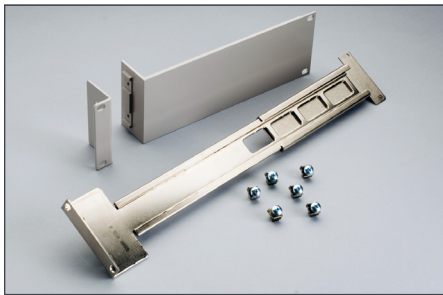
2. 4299-14 applies only to 2280S and 2281S.

### Fixed Single Unit Rack Kits

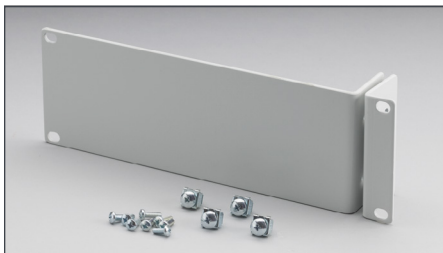
(For mounting of one half-rack-width instrument or one full-rack-width instrument)



**4288-1:** For half-rack-width models. 2U (3.5 in.) high.  
 For use with: Series 2000, 2182A, Series 2300, 2700, 2701, 6220, 6221, 6485, 6487, 6514, 6517B, 7001.



**4299-1:** For half-rack-width models. 2U (3.5 in.) high.  
 For use with: Series 2600B



**4299-3:** For half-rack-width models. 2U (3.5 in.) high. Allows for mounting of a 2U Keysight Instrument as well.  
 For use with: Series 2100, Series 2400, 3390, 6430

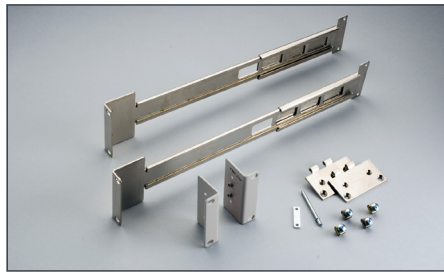
**4299-8:** For half-rack-width models. 2U (3.5 in.) high.  
 For use with: 2450, 2460, 2461, DMM7510 (graphical display models only)

### Fixed Dual Unit Rack Kits

(For mounting two or more instruments in the width of a rack)



**4288-2:** For half-rack-width models. 2U (3.5 in.) high.  
 For use with: Series 2000, 2182A, Series 2300, 2700, 2701, 6220, 6221, 6485, 6487, 6514, 6517B, 7001



**4299-2:** For half-rack-width models. 2U (3.5 in.) high.  
 For use with: Series 2600B



**4299-9:** For half-rack-width models. 2U (3.5 in.) high.  
 For use with: 2450, 2460, 2461, DMM7510 (graphical display models only)

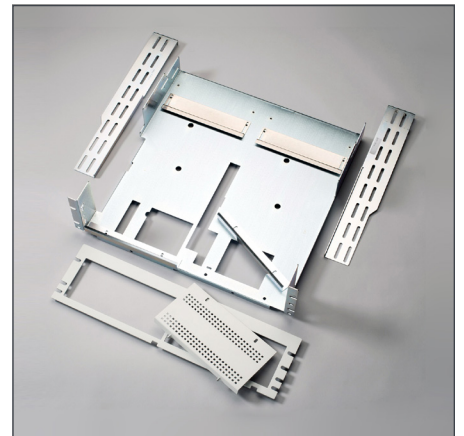
**2268-RMK-2:** For half-rack-width models. 1U (1.75 in.) high.  
 For use with: Series 2268

### Shelf Rack Kits

(For mounting of one or two instruments in a rack)

**2260B-RMK-EIA:** Supports the EIA rack standard. Allows for full-rack-width assembly configuration of sixth-, third-, and half-rack-width models. 3U (5.25 in.) high.  
 For use with: Series 2260B

**2260B-RMK-JIS:** Supports the JIS rack standard. Allows for full-rack-width assembly configuration of sixth-, third-, and half-rack-width models. 3U (5.25 in.) high.  
 For use with: Series 2260B



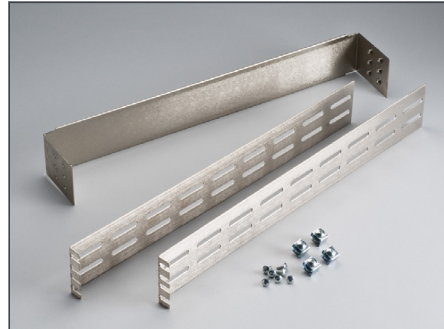
**4299-7 Universal Shelf Rack Kit:** Mounts 2U-high instruments in 3U-high rack space. 3U (5.25 in.) high.  
 For use with: Series 2000, Series 2100, 2182A, Series 2200, Series 2300, Series 2400 (Except graphical) 2700, 2701, 6220, 6221, 6430, 6485, 6487, 6514, 6517B, 7001

**RMU 2U:** 3U (5.25 in.) high.  
 For use with: 2290-5 and 2290-10

## Rear/Rail Support Kits and Miscellaneous Rack Accessories



**4200-KEY-RM**  
For use with: 4200A-SCS



**4288-10**  
For use with: Series 3700A

**376-7589-xx: Cosmetic filler panel**  
For use with Series 2200

## Contact Information:

**Australia** 1 800 709 465  
**Austria\*** 00800 2255 4835  
**Balkans, Israel, South Africa and other ISE Countries** +41 52 675 3777  
**Belgium\*** 00800 2255 4835  
**Brazil** +55 (11) 3530-8901  
**Canada** 1 800 833 9200  
**Central East Europe / Baltics** +41 52 675 3777  
**Central Europe / Greece** +41 52 675 3777  
**Denmark** +45 80 88 1401  
**Finland** +41 52 675 3777  
**France\*** 00800 2255 4835  
**Germany\*** 00800 2255 4835  
**Hong Kong** 400 820 5835  
**India** 000 800 650 1835  
**Indonesia** 007 803 601 5249  
**Italy** 00800 2255 4835  
**Japan** 81 (3) 6714 3086  
**Luxembourg** +41 52 675 3777  
**Malaysia** 1 800 22 55835  
**Mexico, Central/South America and Caribbean** 52 (55) 88 69 35 25  
**Middle East, Asia, and North Africa** +41 52 675 3777  
**The Netherlands\*** 00800 2255 4835  
**New Zealand** 0800 800 238  
**Norway** 800 16098  
**People's Republic of China** 400 820 5835  
**Philippines** 1 800 1601 0077  
**Poland** +41 52 675 3777  
**Portugal** 80 08 12370  
**Republic of Korea** +82 2 565 1455  
**Russia / CIS** +7 (495) 6647564  
**Singapore** 800 6011 473  
**South Africa** +41 52 675 3777  
**Spain\*** 00800 2255 4835  
**Sweden\*** 00800 2255 4835  
**Switzerland\*** 00800 2255 4835  
**Taiwan** 886 (2) 2656 6688  
**Thailand** 1 800 011 931  
**United Kingdom / Ireland\*** 00800 2255 4835  
**USA** 1 800 833 9200  
**Vietnam** 12060128

\* European toll-free number. If not accessible, call: +41 52 675 3777

Rev. 02.2022



Find more valuable resources at [TEK.COM](http://TEK.COM)

Copyright © Tektronix. All rights reserved. Tektronix products are covered by U.S. and foreign patents, issued and pending. Information in this publication supersedes that in all previously published material. Specification and price change privileges reserved. TEKTRONIX and TEK are registered trademarks of Tektronix, Inc. All other trade names referenced are the service marks, trademarks or registered trademarks of their respective companies.

100622 SBG 1KW-60914-2

