

7020 and 7020-D Digital I/O Interface Cards

DIGITAL I/O CAPABILITY: Forty independent inputs.
Forty independent outputs.

OUTPUT SPECIFICATIONS:

Configuration: 40 open collector drivers with factory installed 10kΩ pull up resistors. Pull-up resistors can be removed when driving external pull-up devices. Each driver has an internal fly-back diode.

Pull up Voltage: 5.3V Internally supplied, external connection provided for user supplied voltage 25V max. Removal of internal jumper allows user to use two different pull-up voltages.

Maximum Sink Current: Per Channel: 65mA.
Per Bank (8 bits): 500mA.
Per Card: 1A.

Current Limit: Positive Temperature Coefficient circuit protector in series with each output. Output protection resistance <18Ω.

Collector-Emitter Saturation Voltage: <0.75V @ 1mA.
<1V @ 65mA.

Logic: Negative True.

INPUT SPECIFICATIONS:

Configuration: 40 inputs with internal 10kΩ pull-up resistors provided.

Characteristics:

Input logic low voltage: 0.8V max.
Input logic high voltage: 2V min.
Input logic low current: -600μA max. @ 0V
Input logic high current: 50μA max. @ 5V

Maximum Voltage Level: 42V pk.

Logic: Positive True.

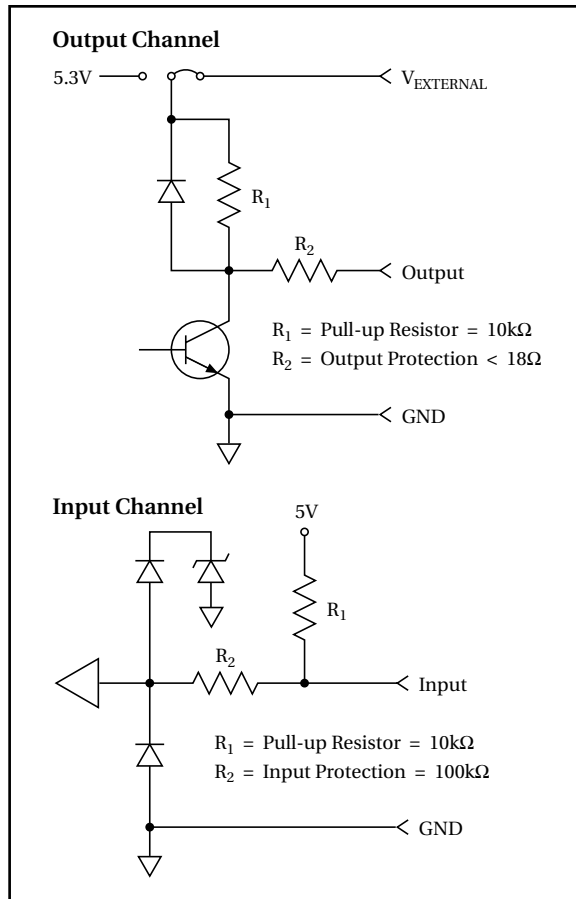
7020/7020-D General Specifications

CONNECTOR:

7020: 96-pin male DIN connector.

7020-D: Cables with 50-pin male and female D-sub connectors.

ENVIRONMENT: Operating: 0° to 50°C, up to 35°C < 80% RH. **Storage:** -25° to 65°C.



Specifications are subject to change without notice.