

Scanner Option 2001-SCAN Specifications

GENERAL

10 CHANNELS: 8 channels of 2-pole relay input.
2 channels of 2-pole solid state input.
All channels configurable to 4-pole.

CAPABILITIES

- Multiplex one of ten 2-pole or one of five 4-pole signals into DMM and/or any combination of 2 or 4-pole signals, or
- Two channel, high speed multiplexing into the DMM, or
- High speed ratio or delta measurements.

FUNCTIONS

(can be mixed from channel to channel)

	DCV, ACV, 4-Wire Ω , 4-Wire RTD, Frequency	DCI, ACI	2-Wire Ω 2-Wire RTD
Relay Channels:	Yes	Yes*	Yes
Solid State Channels:	Yes	-	-

* On 2 channels, using user-supplied 1/4W shunt resistor.

RELAY INPUTS

MAXIMUM SIGNAL LEVEL:

DC SIGNALS: 110V DC, 1A switched, 30VA maximum (resistive load).

AC SIGNALS: 125V AC rms or 175V AC peak, 100kHz maximum, 1A switched, 62.5VA maximum (resistive load).

CONTACT LIFE: $>10^5$ operations at maximum signal level; $>10^8$ operations cold switching.

CONTACT RESISTANCE: $<1\Omega$ at end of contact life.

ACTUATION TIME: 2.5ms maximum on/off.

SOLID STATE INPUTS

RESISTANCE: $<275\Omega$ (including 200 Ω series resistor).

MAXIMUM SIGNAL LEVEL: 110V DC, 175V peak AC, 50mA, 100kHz maximum.

ACTUATION TIME: 150 μ s maximum on, 150 μ s maximum off.

ALL INPUTS

CONTACT POTENTIAL: $\leq\pm 500$ nV typical per contact, 1 μ Vmax.
 $\leq\pm 500$ nV typical per contact pair, 1 μ Vmax.

OPERATION SPEED: See Operating Speed section for complete speed specifications.

CONNECTOR TYPE: Screw terminal, #22 AWG wire size.

ISOLATION BETWEEN ANY TWO TERMINALS: $>10^9\Omega$, <75 pF.

ISOLATION BETWEEN ANY TERMINAL AND EARTH: $>10^9\Omega$, <150 pF.

COMMON MODE VOLTAGE: 350V peak between any terminal and earth.

MAXIMUM VOLTAGE BETWEEN ANY TWO TERMINALS: 200V peak.

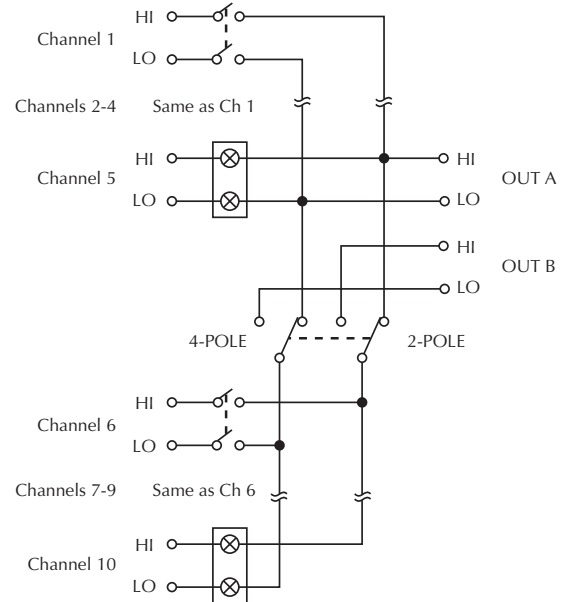
MAXIMUM VOLTAGE BETWEEN ANY TERMINAL AND MODEL 2001 INPUT LO: 200V peak.

*Derate all measurement inputs on the 2000 mainframe to the scan card maximum ratings when the scan card is connected.

ENVIRONMENTAL: Meets all Model 2001 environmental specifications.

DIMENSIONS, WEIGHT: 21mm high x 72mm wide x 221mm deep (0.88 in. x 2.88 in. x 8.7 in.). Adds 0.4kg (10oz.).

SCANNER CONFIGURATION:



This document complies with the European Union low-voltage directive and European Union EMC directive.

Specifications subject to change without notice.