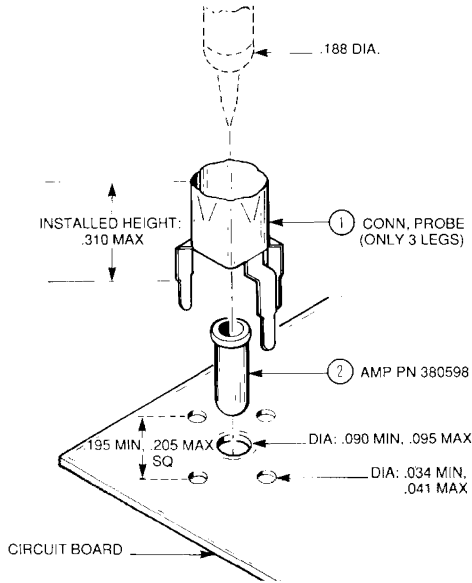


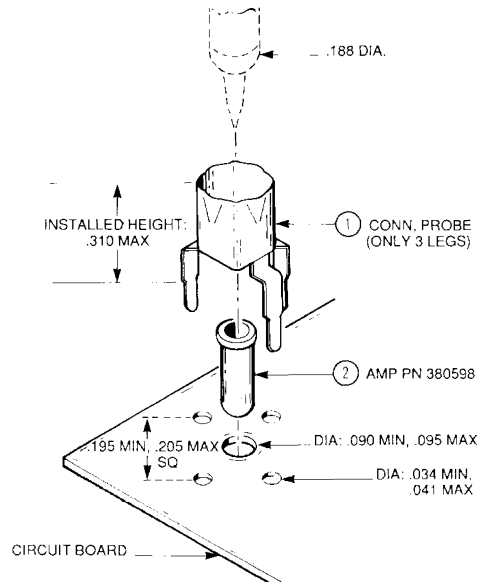
TEKTRONIX PART NUMBER 131-4353-00  
0.188 IN. DIAMETER ECB-TO-PROBE-TIP ADAPTERS



These adapters provide a low-inductance test point and will work with most probes having a tip diameter of 0.188 inches. They can be incorporated into future circuit board designs. Both connectors(1) and sockets(2) are included in packages of 25 (Part Number 131-4353-00).

©1987 Tektronix, Data Card Number 062-9367-00

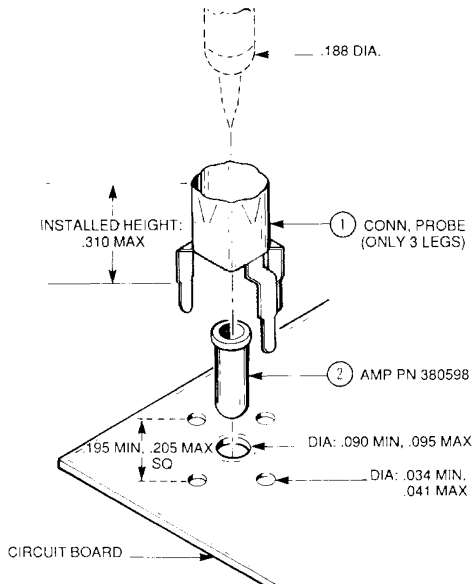
TEKTRONIX PART NUMBER 131-4353-00  
0.188 IN. DIAMETER ECB-TO-PROBE-TIP ADAPTERS



These adapters provide a low-inductance test point and will work with most probes having a tip diameter of 0.188 inches. They can be incorporated into future circuit board designs. Both connectors(1) and sockets(2) are included in packages of 25 (Part Number 131-4353-00).

©1987 Tektronix, Data Card Number 062-9367-00

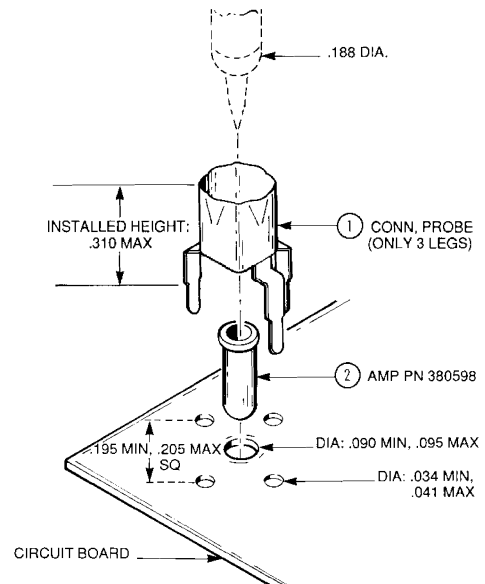
TEKTRONIX PART NUMBER 131-4353-00  
0.188 IN. DIAMETER ECB-TO-PROBE-TIP ADAPTERS



These adapters provide a low-inductance test point and will work with most probes having a tip diameter of 0.188 inches. They can be incorporated into future circuit board designs. Both connectors(1) and sockets(2) are included in packages of 25 (Part Number 131-4353-00).

©1987 Tektronix, Data Card Number 062-9367-00

TEKTRONIX PART NUMBER 131-4353-00  
0.188 IN. DIAMETER ECB-TO-PROBE-TIP ADAPTERS



These adapters provide a low-inductance test point and will work with most probes having a tip diameter of 0.188 inches. They can be incorporated into future circuit board designs. Both connectors(1) and sockets(2) are included in packages of 25 (Part Number 131-4353-00).

©1987 Tektronix, Data Card Number 062-9367-00