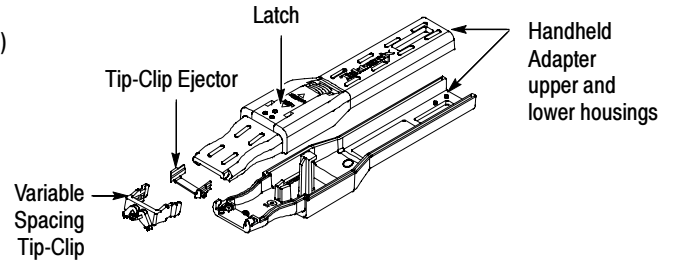


**P7380HHA
Differential Probe
Handheld Adapter
Instructions**

001-1384-01

Kit Contents

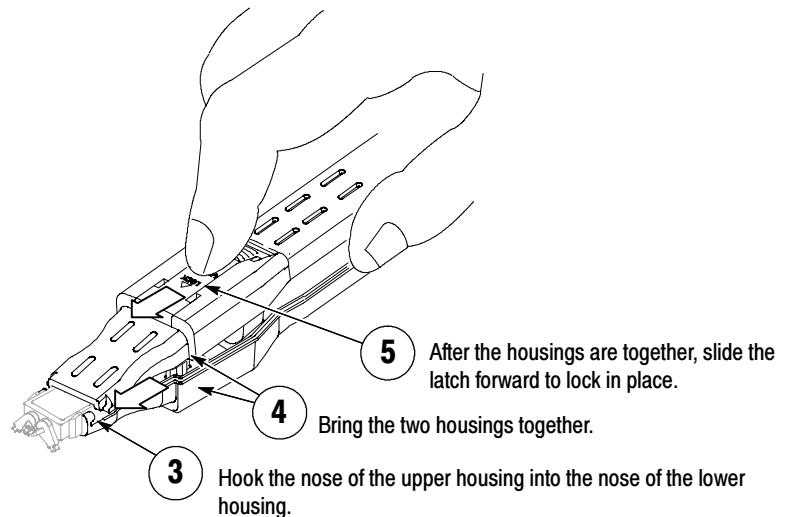
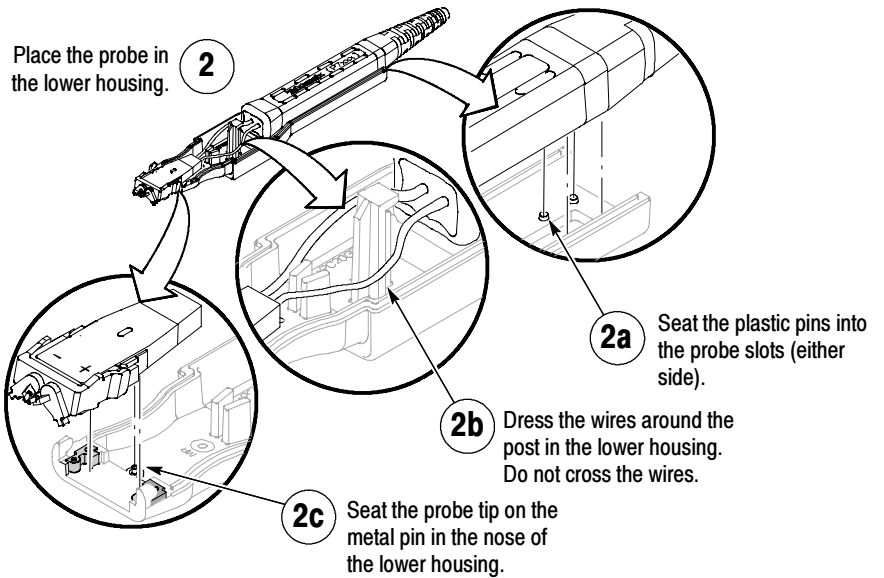
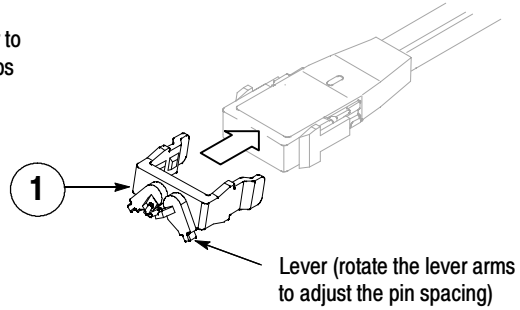
- Instruction sheet
- Handheld Adapter housings (2 ea)
- Tip-Clip Ejector (3 ea)
- Variable Spacing Tip-Clip (3 ea)



Procedure

To attach the Handheld Adapter to the P7380 probe, follow the steps in this illustration.

Attach the Variable Spacing Tip-Clip to the probe tip. The Tip-Clip is not polarity sensitive.



Tools Required

- None

Overview

Refer to the *P7380 8 GHz 5X/25X Differential Probe Technical Reference* (Tektronix part number 071-1544-XX) for Tip-Clip performance information and the *P7380 Probe User Manual* (Tektronix part number 071-1393-XX) for other probe and Tip-Clip information. Both documents are available on the Tektronix Web site.

Storage

Store the Handheld Adapter in the probe case and the Variable Spacing Tip-Clip assemblies and Tip-Clip Ejectors in the plastic Tip-Clip accessory box.

Handling

The Variable Spacing Tip-Clip Assembly is a small precision part and careful handling will extend the life of this part. Use care when applying pressure to the probe Tip-Clip Assembly during probing and handling.

NOTE. To loosen the action of the lever arm on the Variable Spacing Tip-Clip Assembly, rotate the lever arm three or four times.

Table 1: Replaceable parts list

HANDHELD ADAPTER KIT	Order Tektronix part number P7380HHA Includes the following: Handheld Adapter housings (2 ea) Variable Spacing Tip-Clip (3 ea) Tip-Clip Ejector (3 ea) Instruction sheet
VARIABLE SPACING TIP-CLIP KIT	Order Tektronix part number 020-2596-XX Includes the following: Variable Spacing Tip-Clip (3 ea) Tip-Clip Ejector (3 ea)

WARRANTY 14

Tektronix warrants that the product will be free from defects in materials and workmanship for a period of three (3) months from the date of original purchase from an authorized Tektronix distributor. If the product proves defective during this warranty period, Tektronix, at its option, either will repair the defective product without charge for parts and labor, or will provide a replacement in exchange for the defective product. Batteries are excluded from this warranty. Parts, modules and replacement products used by Tektronix for warranty work may be new or reconditioned to like new performance. All replaced parts, modules and products become the property of Tektronix.

In order to obtain service under this warranty, Customer must notify Tektronix of the defect before the expiration of the warranty period and make suitable arrangements for the performance of service. Customer shall be responsible for packaging and shipping the defective product to the service center designated by Tektronix, shipping charges prepaid, and with a copy of customer proof of purchase. Tektronix shall pay for the return of the product to Customer if the shipment is to a location within the country in which the Tektronix service center is located. Customer shall be responsible for paying all shipping charges, duties, taxes, and any other charges for products returned to any other locations.

This warranty shall not apply to any defect, failure or damage caused by improper use or improper or inadequate maintenance and care. Tektronix shall not be obligated to furnish service under this warranty a) to repair damage resulting from attempts by personnel other than Tektronix representatives to install, repair or service the product; b) to repair damage resulting from improper use or connection to incompatible equipment; c) to repair any damage or malfunction caused by the use of non-Tektronix supplies; or d) to service a product that has been modified or integrated with other products when the effect of such modification or integration increases the time or difficulty of servicing the product.

THIS WARRANTY IS GIVEN BY
TEKTRONIX WITH RESPECT TO THE
PRODUCT IN LIEU OF ANY OTHER
WARRANTIES, EXPRESS OR IMPLIED.
TEKTRONIX AND ITS VENDORS DISCLAIM
ANY IMPLIED WARRANTIES OF
MERCHANTABILITY OR FITNESS FOR A
PARTICULAR PURPOSE. TEKTRONIX'
RESPONSIBILITY TO REPAIR OR REPLACE
DEFECTIVE PRODUCTS IS THE SOLE AND
EXCLUSIVE REMEDY PROVIDED TO THE
CUSTOMER FOR BREACH OF THIS
WARRANTY. TEKTRONIX AND ITS
VENDORS WILL NOT BE LIABLE FOR ANY
INDIRECT, SPECIAL, INCIDENTAL, OR
CONSEQUENTIAL DAMAGES
IRRESPECTIVE OF WHETHER TEKTRONIX
OR THE VENDOR HAS ADVANCE NOTICE
OF THE POSSIBILITY OF SUCH DAMAGES.

Contacting Tektronix

Phone	1-800-833-9200*
Address	Tektronix, Inc. Department or name (if known) 14200 SW Karl Braun Drive P.O. Box 500 Beaverton, OR 97077 USA
Web site	www.tektronix.com
Sales support	1-800-833-9200, select option 1*
Service support	1-800-833-9200, select option 2*
Technical support	www.tektronix.com/support 1-800-833-9200, select option 3* 6:00 a.m. - 5:00 p.m. Pacific Standard Time

* **This phone number is toll free in North America. After office hours, please leave a voice mail message. Outside North America, contact a Tektronix sales office or distributor; see the Tektronix web site for a list of offices.**