

020-3018-00 and Above

TDSHT3 HDMI Compliance Test Software, Option DS

This document supports the Option DS kit, which provides the necessary accessories to make connections for the Direct Synthesis method. Figures 1 and 2 show you how to make the connections. The parts list refers to the numbers in these figures.

NOTE. *The accessories are the same for all Sink and Cable tests, except the Sink Intra-Pair Skew test, which is shown in Figure 2.*

The quantity of each part in this kit is indicated in the parts list Qty column. You can use the Tektronix part numbers provided in the kit parts list to order replacement parts.

Fig. index number	Tektronix part number	Serial no. effective	Serial no. discont'd	Qty	Description
	020-3018-00			1	Accessory kit
1-1	131-8489-00			8	Bias-Tees
1-2	174-4944-01			8	Matched SMA cable
1-3	012-0057-01			4	BNC cables
1-4	015-1016-00			2	BNC T-adapter
1-5	012-0991-01			4	GPIB cables
					NOTE. <i>This is used to connect the oscilloscope to AWG1, AWG1 to AFG, and AFG to AWG2.</i>
1-6	119-7601-00			8	120 ps rise time filter
2-1	015-0735-00			8	6 dB attenuator
2-2	119-7635-00			8	0–6400 MHz low pass filter
	131-8490-00			8	SMA (Male) to SMA (Male) connector
					NOTE. <i>These are required to connect the bias-tees or 120 ps TTC filters if the connectors are female connectors.</i>
	015-0551-00			2	BNC-SMA adapter



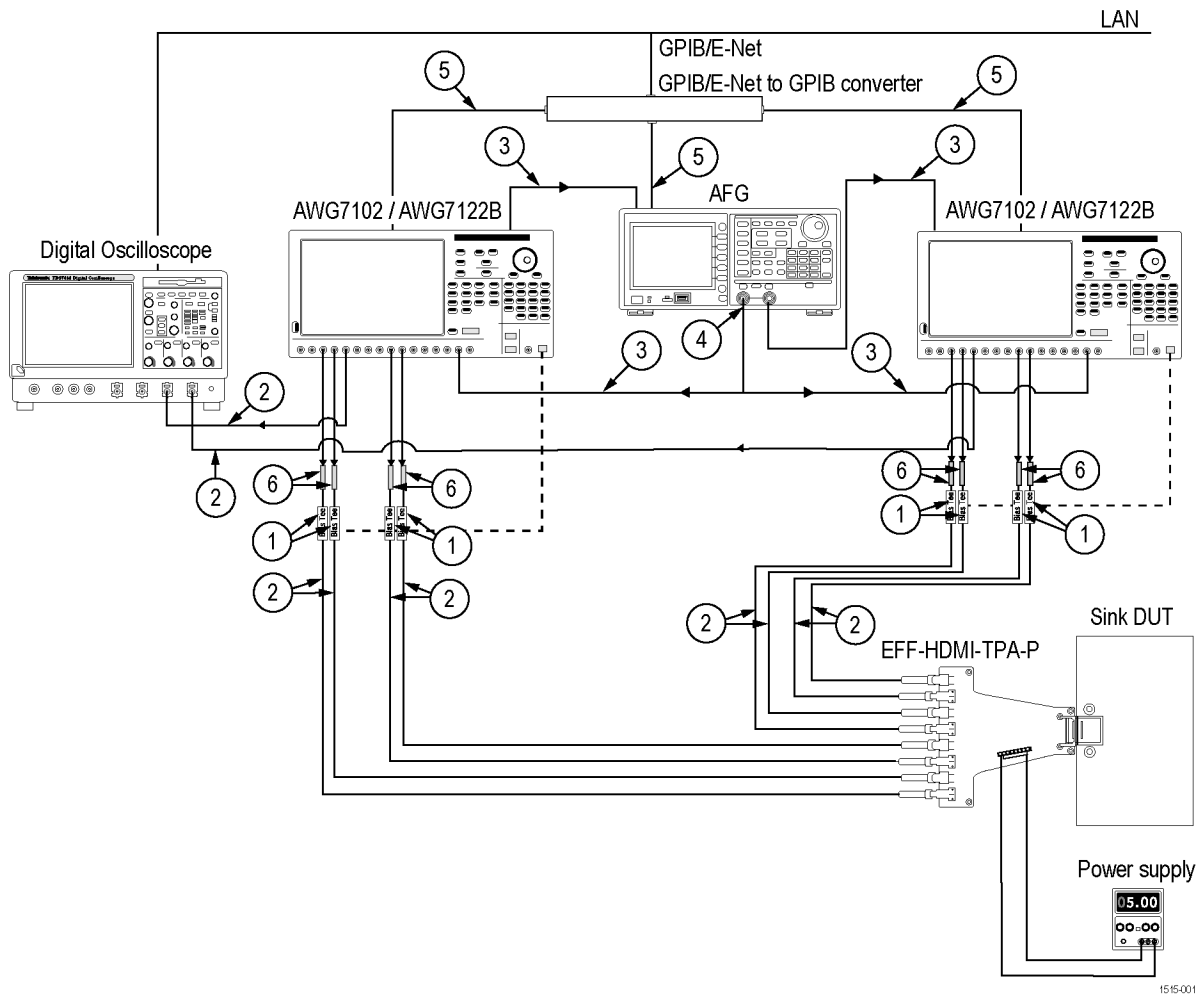


Figure 1: Setup diagram for Sink Min/Max, Sink Jitter Tolerance, Sink Deep Color, and Cable tests

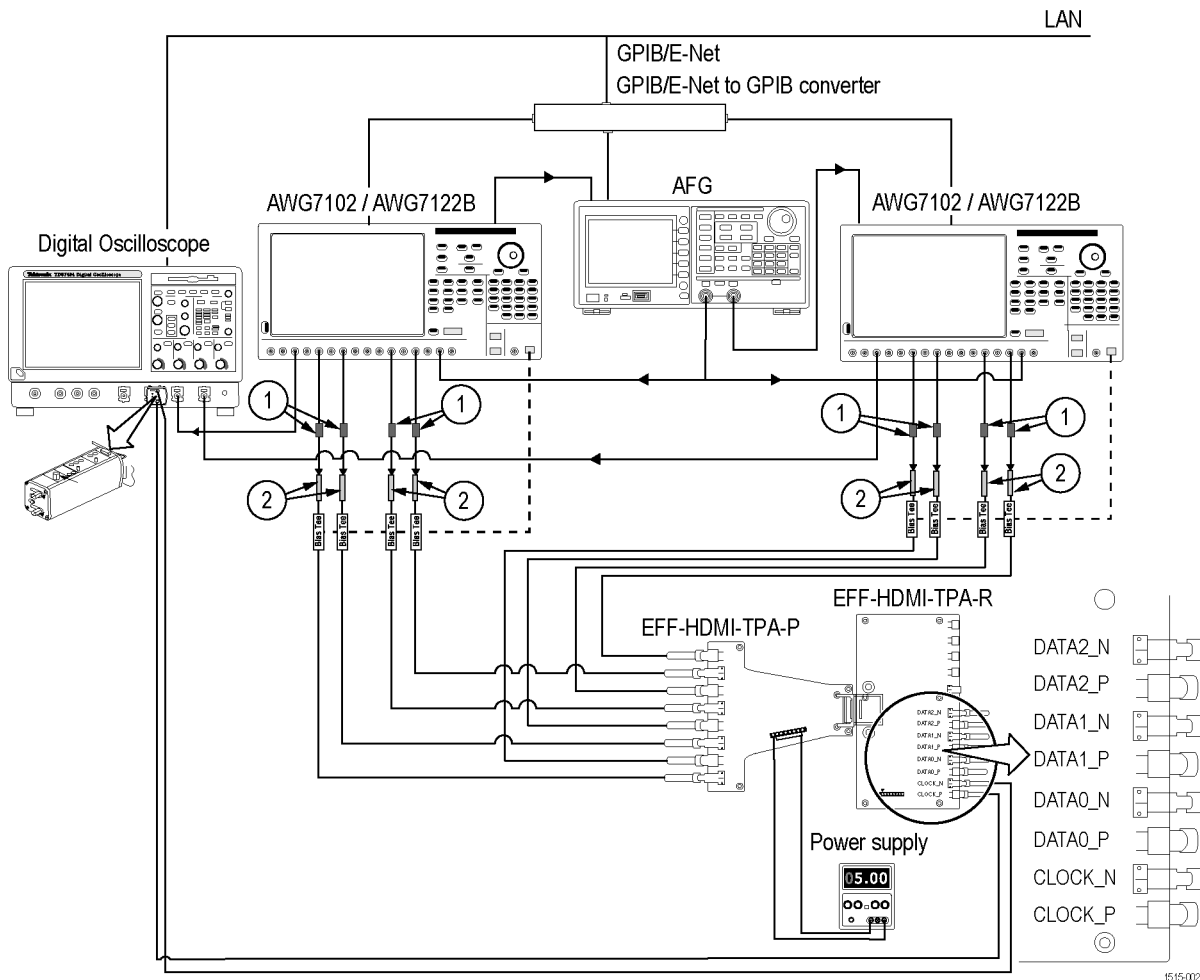


Figure 2: Setup diagram for Sink Intra-Pair Skew test

NOTE. All the accessories are the same for the Sink Intra-Pair Skew test except for the 0–6400 MHz LPF (used instead of the 120 ps TTC filters) and additional 6 dB attenuators.