

# Instructions

**Tektronix**

**016-0362-00**

**Tool Box**

**062-9321-00**



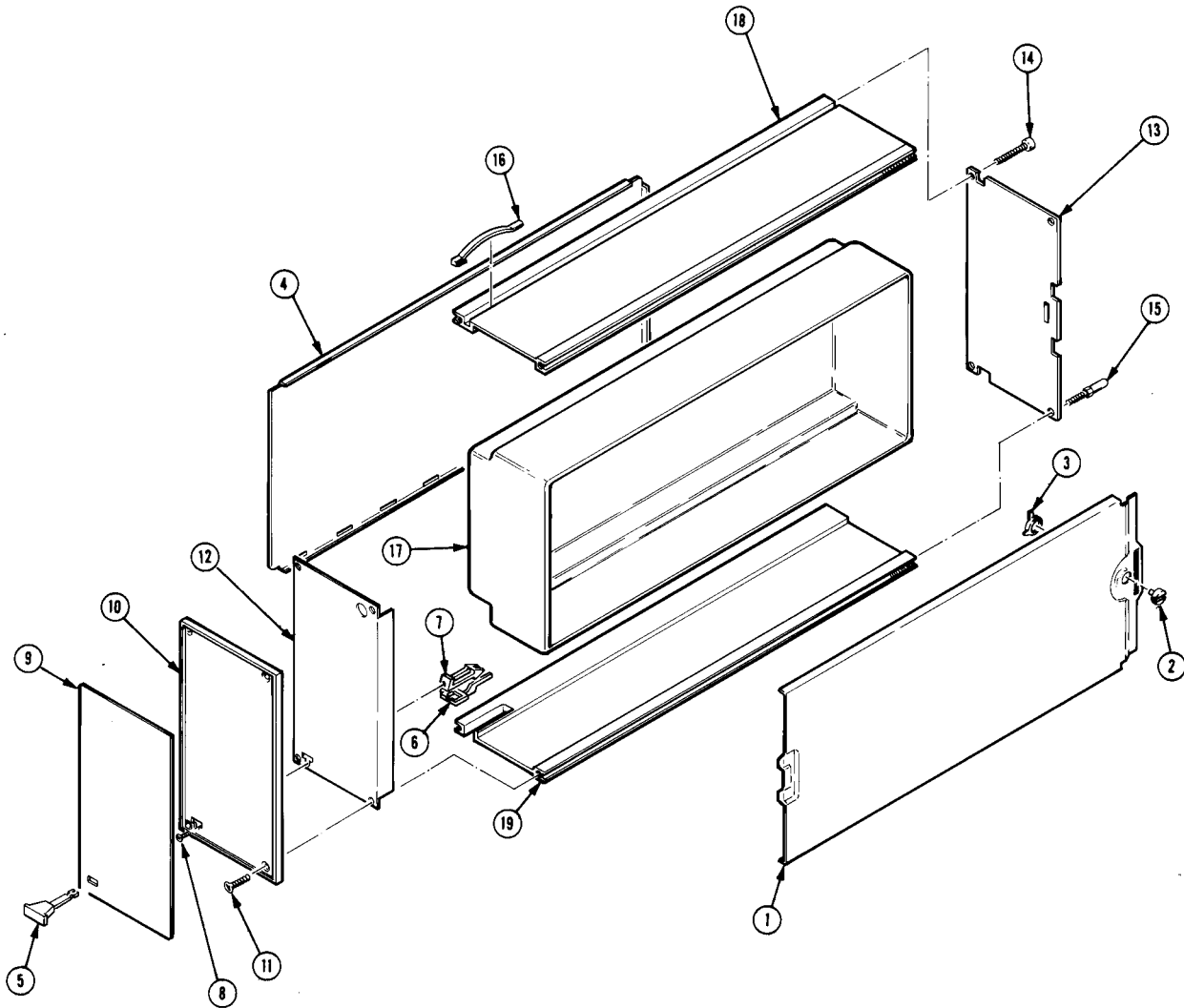
Copyright © Tektronix, Inc. All rights reserved.

Tektronix products are covered by U.S. and foreign patents, issued and pending. Information in this publication supercedes that in all previously published material. Specifications and price change privileges reserved.

Tektronix, Inc., P.O. Box 1000, Wilsonville, OR 97070-1000

TEKTRONIX and TEK are registered trademarks of Tektronix, Inc.

# 016-0362-02 Tool Box



## Parts List

### Manufacturers cross index

Mfr. code	Manufacturer	Address	City, state, zip code
0J260	COMTEK MANUFACTURING OF OREGON	P O BOX 4200 M/S 16-207	BEAVERTON, OR 970764200
0JR05	TRIQUEST PRECISION PLASTICS	3000 COLUMBIA HOUSE BLVD PO BOX 66008	VANCOUVER, WA 98666-6008
5Y400	TRIAx METAL PRODUCTS INC	1880 SW MERLO DRIVE	BEAVERTON, OR 97006
7X318	KASO PLASTICS INC	5720-C NE 121ST AVE, STE 110	VANCOUVER, WA 98682
80009	TEKTRONIX INC	14150 SW KARL BRAUN DR PO BOX 500	BEAVERTON, OR 97077-0001
93907	CAMCAR DIV OF TEXTRON INC	ATTN: ALICIA SANFORD 516 18TH AVE	ROCKFORD, IL 611045181
TK0401	SOUND MANUFACTURING	PO BOX 280	KENT, WA 98032
TK1326	NORTHWEST FOURSIDE INC	13945 SW GALBREATH DR	SHERWOOD, OR 97140

### Replaceable parts list

Fig. & index number	Tektronix part number	Serial no. effective	Serial no. discont'd	Qty	Name & description	Mfr. code	Mfr. part number
1-1	337-3452-00			1	SHIELD,ELEC:	80009	337-3452-00
-2	105-0932-00			1	LATCH,PANEL:SIDE	7X318	1001
-3	214-3364-00			1	FASTENER,LATCH:ACETAL,SIL GRAY	7X318	1003
-4	337-1399-00			1	SHIELD,ELEC:SIDE LF-1 PLUG-INS	5Y400	ORDER BY DESC
-5	366-1690-02			1	KNOB:IVORY GY,0.53 W X 1.059 L X 0.23 THK	80009	366-1690-02
-6	105-0719-00			1	LATCH,RETAINING:PLUG-IN	80009	105-0719-00
-7	105-0718-01			1	BAR,LATCH RLSE:TM500 SERIES	0JR05	ORDER BY DESC
-8	213-0254-00			1	SCREW,TPG,TF:2-32 X 0.25,TYPE B,FLH,100DEG STL,CD PL,POZ	93907	ORDER BY DESC
-9	333-3544-00			1	PANEL,FRONT:	0J260	ORDER BY DESC
-10	386-2402-05			1	SUBPANEL,FRONT:	0J260	ORDER BY DESC
-11	213-0229-00			4	SCREW,TPG,TF:6-20 X 0.375,TYPE B,FLH,100 DEG,STL CD PL,POZ	93907	ORDER BY DESC
-12	407-3654-00			1	BRACKET,LATCH:	80009	407-3654-00
-13	386-5647-00			1	SUPPORT,FRAME:	80009	386-5647-00
-14	213-0192-00			2	SCREW,TPG,TF:6-32 X 0.5,SPCL TYPE,FILH,STL CD PL,POZ	93907	ORDER BY DESC
-15	386-3657-01			2	SUPPORT,PLUG-IN:	93907	ORDER BY DESC
-16	214-1061-00			1	CONTACT,ELEC:GROUNDING,CU BE	TK1326	214-1061-00
-17	348-0498-00			1	PAD,CUSHIONING:ACCESSORY BOX	TK0401	ORDER BY DESC
-18	426-2225-00			1	FR SECT,PLUG-IN:TOP	80009	426-2225-00
-19	426-2226-00			1	FR SECT,PLUG-IN:BOTTOM	80009	426-2226-00
-20	062-9321-00			1	DATA SHEET:TOOL BOX	80009	062-9321-00