

Instructions



**050-3090-02 and above
1730D DAC (A4) or Serial (A5) Ckt Bd Assy
Replacement
063-2026-02**

Warning

The servicing instructions are for use by qualified personnel only. To avoid personal injury, do not perform any servicing unless you are qualified to do so. Refer to all safety summaries prior to performing service.

www.tektronix.com



063202602

Copyright © Tektronix, Inc. All rights reserved.

Tektronix products are covered by U.S. and foreign patents, issued and pending. Information in this publication supercedes that in all previously published material. Specifications and price change privileges reserved.

Tektronix, Inc., P.O. Box 500, Beaverton, OR 97077

TEKTRONIX and TEK are registered trademarks of Tektronix, Inc.

Service Safety Summary

Only qualified personnel should perform service procedures. Read this *Service Safety Summary* and the *General Safety Summary* before performing any service procedures.

Do Not Service Alone. Do not perform internal service or adjustments of this product unless another person capable of rendering first aid and resuscitation is present.

Disconnect Power. To avoid electric shock, switch off the instrument power, then disconnect the power cord from the mains power.

Use Care When Servicing With Power On. Dangerous voltages or currents may exist in this product. Disconnect power, remove battery (if applicable), and disconnect test leads before removing protective panels, soldering, or replacing components.

To avoid electric shock, do not touch exposed connections.

Kit Description

The DAC (A4) or Serial (A5) Ckt Bd Assy Replacements included in this kit replaces all earlier versions that are no longer available. You must install these boards as a set for proper instrument operation.

This document is supported by Tektronix mods: 76923, 80255, 80650, 84175, and 85847.

NOTE. *If the serial number of your instrument is greater than those listed above, or this kit has been installed, disregard the instructions and install either circuit board individually, as a direct replacement.*

Products

1730D B010100 – B029999

Kit Parts List

Circuit/figure number	Quantity	Part number	Description
A4	1 EA	671-2273-XX	CIRCUIT BD ASSY:DAC
A5	1 EA	671-2275-XX	CIRCUIT BD ASSY:SERIAL
A3R108	1 EA	322-3277-XX	RES,FXD,FILM:7.5KOHM,1%,0.2W
-----	1 EA	070-8361-01	MANUAL,TECH:INSTRU,DIGIT AL WAVEFORM MONITOR
-----		063-2026-02	DATA SHEET:050-3090-XX INSTALLATION
-----		NS	LABEL, IDENT:MARKED 050-3090-XX

NS - Not Saleable

Installation Instructions

These instructions are for personnel who are familiar with servicing the product. If you need further details for disassembling or reassembling the product, refer to the appropriate product manual. Contact your nearest Tektronix, Inc., Service Center or Tektronix Factory Service for installation assistance.



CAUTION. To prevent static discharge damage, service the product only in a static-free environment. Observe standard handling precautions for static-sensitive devices while installing this kit. Always wear a grounded wrist strap, grounded foot strap, and static resistant apparel while installing this kit.

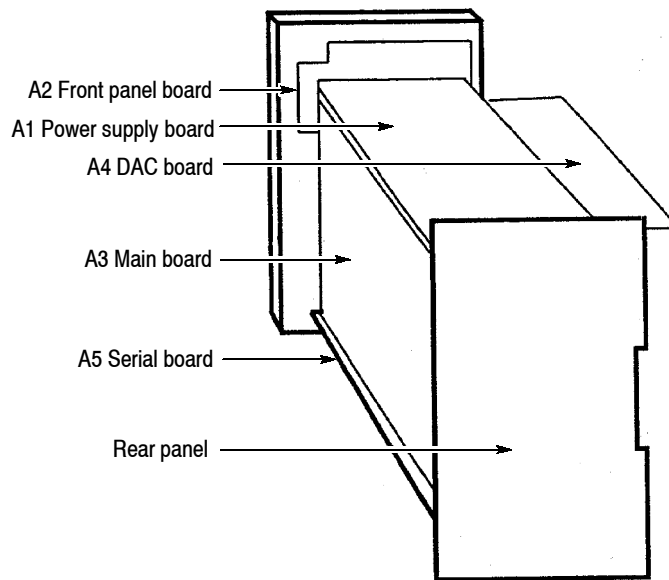


Figure 1: Circuit Board Locations

Replace Circuit Boards

Replace the DAC and Serial circuit boards as follows:

- Serial circuit board**
1. Unplug J12 from J2 on the DAC board and the coaxial cable from J18. Note cable dress and bend for easier reassembly.

2. Unplug the coaxial cable interconnecting J1 and J19. Note the cable dress before you remove it for easier reassembly.
3. Remove the circuit board securing screws then remove the circuit board from the instrument.
4. Install the new circuit board provided in the kit. Use the reverse of the removal procedure above.

DAC circuit board

1. Unplug the 2 large ribbon cables at J1 and J2.
2. Unplug the coaxial cable connectors at J5 and J6.
3. Remove the hardware securing the connector (DIGITAL PARALLEL IN) to the rear panel.
4. Remove the 4 circuit board securing screws.
5. Slide the DAC circuit board toward the front of the instrument until the DIGITAL PARALLEL IN connector clears the rear panel.
6. Unplug the PCB ribbon cable at J4 as the circuit board is lifted from the instrument.
7. Install the new circuit board provided in the kit. Use the reverse of the removal procedure.

**Update Main circuit board
(B010100 - B010255 only)**

8. Verify that R108 is 7.5 k ohm. If necessary, replace R108 with the 7.5 k ohm resistor provided in the kit. Refer to Figure 2 for location.

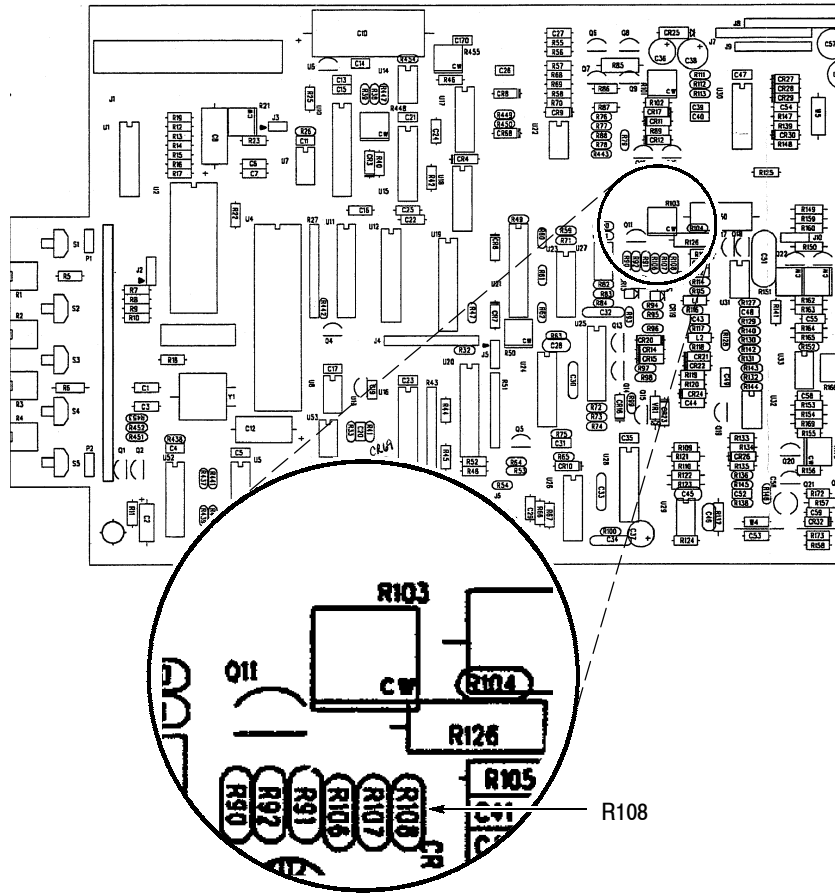


Figure 2: Partial Main Circuit Board Showing R108

Reassembly and Miscellaneous

1. Verify that all connections are properly made.
2. Verify instrument operation.
3. Install the instrument in the cabinet.
4. Affix the identification label, provided in the kit, to the rear panel to indicate that this kit has been installed.

■ End of document ■