

Instruction Manual

Tektronix

P6245
1.5 GHz 10X Active Probe
070-8995-04

Copyright © Tektronix, Inc. All rights reserved.

Tektronix products are covered by U.S. and foreign patents, issued and pending. Information in this publication supercedes that in all previously published material. Specifications and price change privileges reserved.

Tektronix, Inc., P.O. Box 500, Beaverton, OR 97077

TEKTRONIX and TEK are registered trademarks of Tektronix, Inc.

WARRANTY

Tektronix warrants that the systems that it manufactures and sells, (excluding customer-supplied equipment), will be free from defects in materials and workmanship for a period of one (1) year. The warranty period shall begin on the date of installation or one (1) month after the date of shipment, whichever is earlier. If any component of a system supplied by Tektronix proves defective during the initial one-year period, Tektronix, at its option, either will repair the defective component without charge for parts and labor, or will provide a replacement in exchange for the defective component. If any component of the system is a Tektronix product that is normally sold with a separate warranty, such separate warranty will apply to the component whenever its terms are more favorable to the Customer.

In order to obtain service under this warranty, Customer must notify Tektronix of the defect before the expiration of the respective warranty period and make suitable arrangements for the performance of service. Tektronix will provide such service at Customer's site without charge during the warranty period, if the service is performed within the normal on-site service area. Tektronix will provide on-site service outside the normal on-site service area only upon prior agreement and subject to payment of all travel expenses by Customer. When or where on-site service is not available, Customer shall be responsible for packaging and shipping the defective component to the service center designated by Tektronix, with shipping charges prepaid. Tektronix shall pay for the return of the component to Customer if the shipment is to a location within the country in which the Tektronix service center is located. Customer shall be responsible for paying all shipping charges, duties, taxes, and any other charges for components returned to any other locations.

This warranty shall not apply to any defect, failure, or damage caused by improper use or improper or inadequate maintenance and care. Tektronix shall not be obligated to furnish service under this warranty a) to repair damage resulting from attempts by personnel other than Tektronix representatives to install, repair, or service the system; b) to repair damage resulting from improper use or connection to incompatible equipment; c) to repair any damage or malfunction caused by the use of non-Tektronix supplies; or d) to service a system that has been modified or integrated with other products when the effect of such modification or integration increases the time or difficulty of servicing the system.

THIS WARRANTY IS GIVEN BY TEKTRONIX WITH RESPECT TO THE LISTED SYSTEMS IN LIEU OF ANY OTHER WARRANTIES, EXPRESS OR IMPLIED. TEKTRONIX AND ITS VENDORS DISCLAIM ANY IMPLIED WARRANTIES OF MERCHANTABILITY OR FITNESS FOR A PARTICULAR PURPOSE. TEKTRONIX' RESPONSIBILITY TO REPAIR OR REPLACE DEFECTIVE PRODUCTS IS THE SOLE AND EXCLUSIVE REMEDY PROVIDED TO THE CUSTOMER FOR BREACH OF THIS WARRANTY. TEKTRONIX AND ITS VENDORS WILL NOT BE LIABLE FOR ANY INDIRECT, SPECIAL, INCIDENTAL, OR CONSEQUENTIAL DAMAGES IRRESPECTIVE OF WHETHER TEKTRONIX OR THE VENDOR HAS ADVANCE NOTICE OF THE POSSIBILITY OF SUCH DAMAGES.



Table of Contents

Getting Started

Product Description	1-1
Standard Accessories	1-1
Customer Support	1-2
Features and Accessories	1-3
Configuration	1-7
Probe Offset	1-7
Functional Check	1-9

Operating Basics

Operating Basics	2-1
Maximum Non-destructive Input Voltage	2-1
Input Linear Dynamic Range	2-1
Ground Lead Length	2-2
Helpful Hints	2-5
Low-inductance Grounding	2-5
SureFoot™ Grounding	2-6
Probe Tip Test Points	2-7
Probe Tip Stabilization	2-8

Specifications

List of Figures

Figure 1-1: Dynamic and Offset Limitations	1-8
Figure 1-2: Probe Functional Check Connections	1-9
Figure 2-1: Waveform Distortion from Ground Lead Length	2-2
Figure 2-2: Ground Lead Equivalent Circuit	2-3
Figure 2-3: Low-inductance Grounding	2-5
Figure 2-4: Using a SureFoot Adapter for Grounding	2-6
Figure 2-5: Using a Probe Tip as a Test Point	2-7
Figure 2-6: Probe Tip Stabilizing Notch	2-8
Figure 3-1: Typical Bandwidth	3-3
Figure 3-2: Typical Voltage Derating vs. Frequency	3-3
Figure 3-3: Typical Linearity Error vs VIN	3-4
Figure 3-4: Typical Input Impedance vs. Frequency	3-4
Figure 3-5: Typical Phase vs. Frequency	3-5



General Safety Summary

Review the following safety precautions to avoid injury and prevent damage to this product or any products connected to it.

Only qualified personnel should perform service procedures.

Injury Precautions

Avoid Electric Overload

To avoid electric shock or fire hazard, do not apply a voltage to a terminal that is outside the range specified for that terminal.

Do Not Operate Without Covers

To avoid electric shock or fire hazard, do not operate this product with covers or panels removed.

Do Not Operate in Wet/Damp Conditions

To avoid electric shock, do not operate this product in wet or damp conditions.

Do Not Operate in Explosive Atmosphere

To avoid injury or fire hazard, do not operate this product in an explosive atmosphere.

Product Damage Precautions

Do Not Operate With Suspected Failures

If you suspect there is damage to this product, have it inspected by qualified service personnel.

Do Not Immerse in Liquids

Clean the probe using only a damp cloth. Refer to cleaning instructions.

Safety Terms and Symbols

Terms in This Manual

These terms may appear in this manual:



WARNING. *Warning statements identify conditions or practices that could result in injury or loss of life.*



CAUTION. *Caution statements identify conditions or practices that could result in damage to this product or other property.*



Manual Organization

User Information

This section contains the information necessary to install and use the P6245.

- Getting Started

This section contains the product description, description of accessories, probe setup configuration, and how to check the probe for normal operation.

- Operating Basics

This section contains basic information and operating suggestions for optimal probe performance

- Specifications

Service Information

This section contains the information necessary to maintain and service the P6245.

- Theory of Operation
- Performance Verification
- Adjustments
- Maintenance
- Troubleshooting

Replaceable Parts List



Getting Started

Product Description

The Tektronix P6245 is a 1.5 GHz (probe only), 10X active FET probe with less than 1 pF input capacitance. The P6245's low input capacitance and high input resistance minimize circuit loading over a wide bandwidth range. The P6245's small profile and low-mass head makes probing crowded circuits by hand fast and easy. The accessory tips and adapters enable the P6245 to be used on a wide variety of circuit architectures.

The P6245 is powered through a TEKPROBE interface between the probe's compensation box and the oscilloscope. The P6245 may be used with non-TEKPROBE oscilloscopes and instruments by using the optional Tektronix 1103 Probe Power Supply.

In order to fully appreciate the probe's capabilities, please read the *Getting Started* and *Operating Basics* sections of this manual.

Standard Accessories

The P6245 is shipped with the following standard accessories:

- standard probe tips
- SMT KlipChip™ microcircuit test leads
- Y-lead adapter
- right-angle adapter
- signal-ground adapters
- three- and six-inch ground leads
- low-inductance ground lead
- marker rings
- Instruction Manual

For part number information for standard and optional accessories, refer to the *Replaceable Parts* section of this manual.

Customer Support

To help you get the best performance from your probe, Tektronix offers the following customer support services:

Operational Support

If you need assistance using your probe, please call our Customer Support Center at 1-800-TEK-WIDE (1-800-835-9433), extension 2400. If you are outside the United States or Canada, please contact your nearest Tektronix Service Center.

Service Support

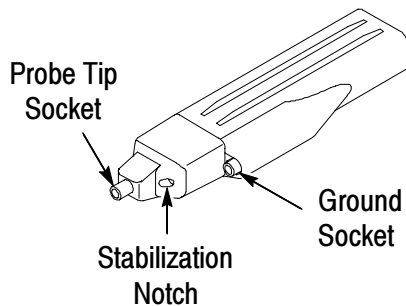
Should your probe need repair that is beyond that supported by this manual, please contact your nearest Tektronix Service Center.

Sales Support

To order optional equipment and accessories, call the Tektronix National Marketing Center at 1-800-426-2200. If you are outside the United States or Canada, please contact your nearest Tektronix Service Center.

Features and Accessories

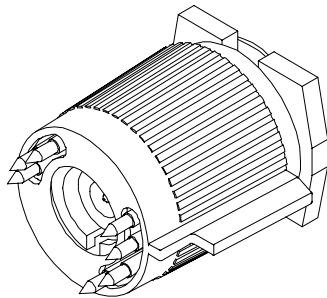
The P6245 is provided with several features and accessories designed to make probing and measurement a simpler task. Please take a moment to familiarize yourself with these items and their uses.



Probe Head Assembly. The probe head is designed for ease of use and high performance. Its small size makes it easy to handle in tight areas.

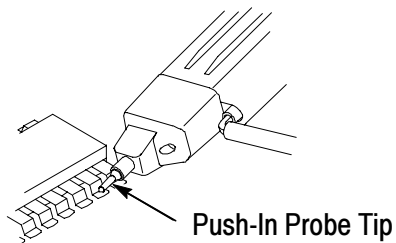
The probe tip socket is sized to easily press onto 0.025 inch pins for direct access. The ground socket provides a short ground path for high fidelity ground connections.

The stabilization notch permits you to use adjacent pins to reduce stresses on the probe and pins. See pages 1-5 and 2-8 for more information.



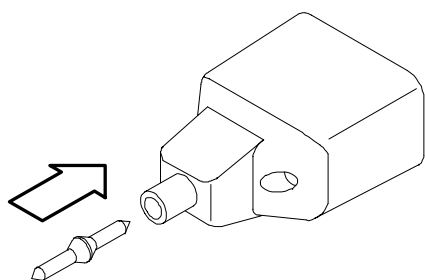
TEKPROBE™ Interface. The TEKPROBE interface provides a communication path between the probe and the oscilloscope. Contact pins provide power, signal, offset, and probe characteristic data transfer. See page 4-2 for more information.

If your oscilloscope does not support the TEKPROBE interface, you can use the optional 1103 probe power supply as an effective interface. Contact your local Tektronix representative for more information.



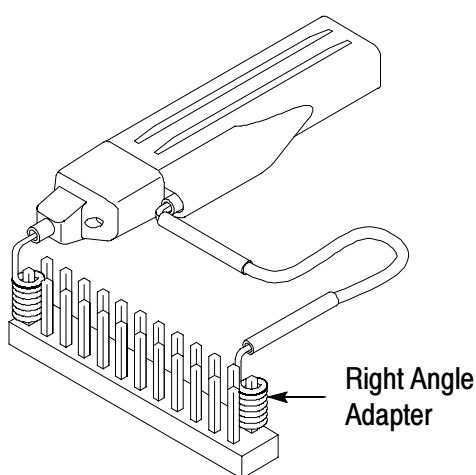
Push-in Probe Tip. Use the push-in probe tip for general purpose probing by hand. The tip may also be used as a temporary test point. See page 2-7 for more information.

The push-in probe tip may also be used with the other socketed leads and adapters.



Installing the Push-in Probe Tip. Attach the push-in probe tip by seating the tip into the probe tip socket and pushing the tip in until it is seated. Either end of the tip may be used.

Do not force the tip. Also, be careful not to poke yourself with the sharp probe-tip. To remove the tip, *gently* grab the tip with small pliers and pull the tip out.

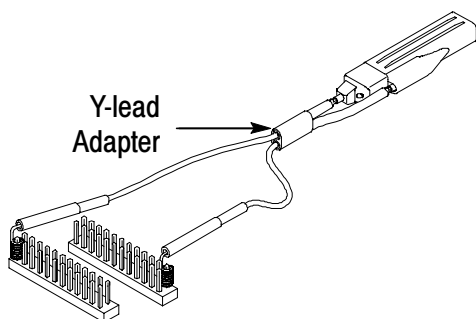


Right-angle adapter. Use the right-angle adapter for low-profile probing of 0.025 inch diameter square pins.

The right-angle adapter allows the P6245 to lie flat against a circuit board. This enables probing in vertical circuits such as computer or communications backplanes, or in tight areas such as between circuit cards.

The right-angle adapter can be used directly with the probe head, or attached to the Y-lead adapter or ground leads.

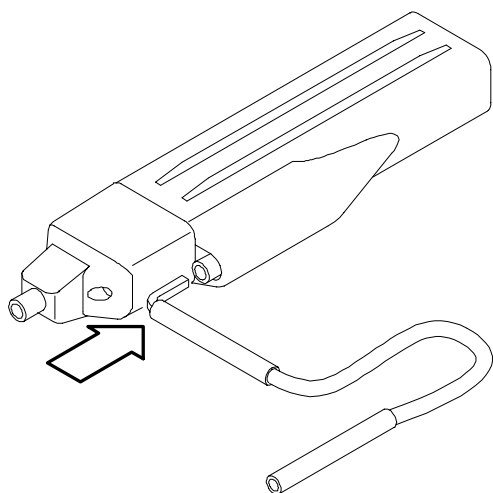
The right-angle adapter is attached the same way as the push-in probe tip, and can be easily removed by hand.



“Y-lead” adapter. Use the Y-lead adapter to extend the physical reach of the probe and ground when necessary. The Y-lead adapter accepts any of the probe tips or adapters, and can be pushed directly onto 0.025 inch pins.

When selecting the grounding connection, maintain as short a ground path as possible. Refer to page 2-2 for more information.

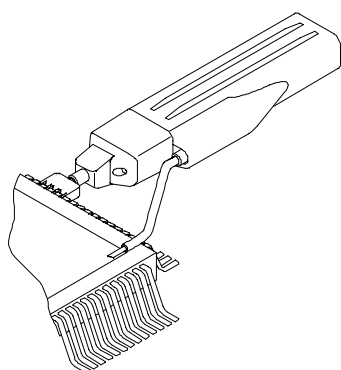
To attach the Y-lead adapter, gently press the lead pins into the probe head tip and ground receptacles. Using the black lead for ground is recommended.



3 and 6 inch ground leads. Use the three- and six-inch ground leads for general probing. The socketed end of the leads may be connected to any of the probe tips and adapters, or fitted onto 0.025 inch pins.

To attach the ground leads, press and rotate the lead pin connector into the ground socket on the probe head. The lead may be removed by simply pulling the pin out by hand.

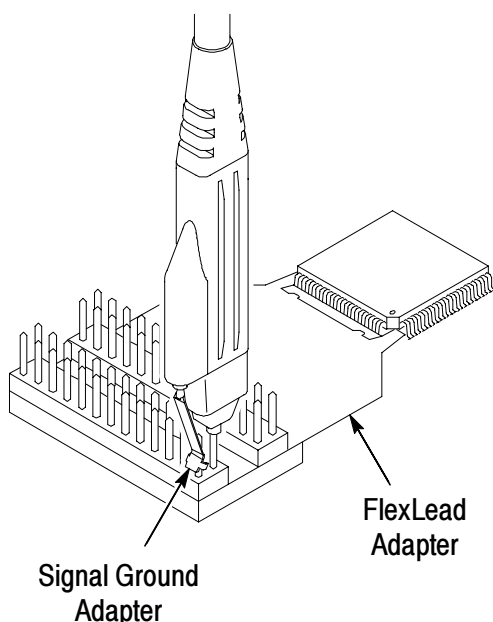
When selecting the grounding connection, maintain as short a ground path as possible. Refer to page 2-2 for more information.



Low-inductance ground lead. Use the low-inductance ground adapter to substantially reduce ground lead inductance. Because the ground lead simply touches the ground reference, you can easily move the probe to different points on the device under test.

To attach, press the ground lead into the probe head ground socket.

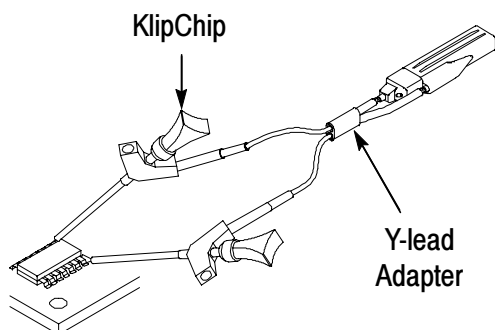
When selecting the grounding connection, maintain as short a ground path as possible. Refer to page 2-2 for more information.



Signal-Ground Adapter. The signal-ground adapter is ideal for use with signal/ground pairs on 0.100 inch header pins (such as FlexLead™ adapters).

Attach the signal-ground adapter by gently pressing it into the ground socket on the probe head.

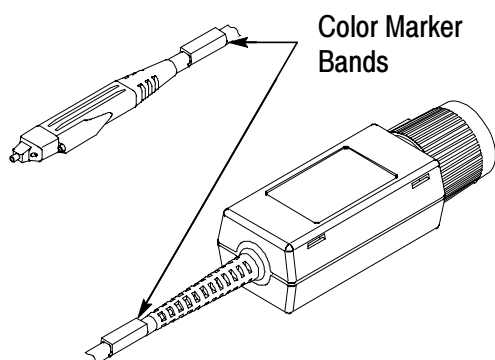
Be sure to use the stabilization notch whenever possible. See page 2-8 for further details.



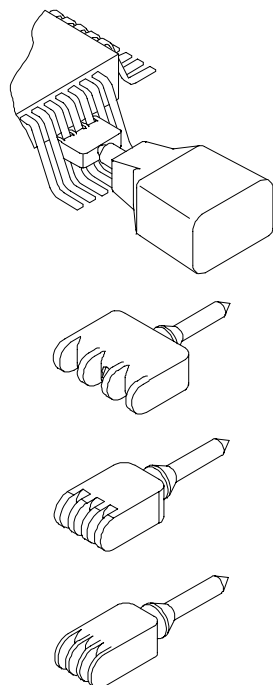
SMT KlipChip™. Use the SMT KlipChip test clips to access fragile, dense circuitry.

KlipChip test clips can be connected to the Y-lead or three- or six-inch ground leads. Simply press the lead socket into the KlipChip handle.

The KlipChip body freely turns, allowing better probe orientation. To reduce stress and provide a lower profile on components being tested, the flexible sleeve of the KlipChip bends up to a 35 degree angle.



Color Marker Bands. Attach matching pairs of the color marker bands onto the cable at the head and compensation box of each probe. The marker bands enable quick verification of which probe is connected to which instrument channel.



SureFoot™ probe tip (optional). The SureFoot tip is an integral probe tip and miniature guide that enables fault-free probing of fine-pitch SMD packages. Attach the SureFoot adapters the same way as the push-in probe tips. They can be used with any of the socketed accessory leads.

The yellow, 0.050 inch SureFoot tip is compatible with 50 mil JEDEC packages such as SOIC, PLCC, CLCC, etc.

The blue, 0.025 inch SureFoot tip is compatible with 0.65 mm JEDEC and EIAJ packages.

The red, 0.5 mm SureFoot tip is compatible with EIAJ packages.

Configuration

The P6245 provides the oscilloscope with the probe model number, serial number, and attenuation factor. When connected to a TEKPROBE oscilloscope, display readouts are corrected for the probe attenuation factor, the instrument input is set to 50 Ω , and the coupling is set to DC.



CAUTION. *Do not attempt to install the P6245 on a non-TEKPROBE connector. Damage to the probe and connector may result. If your oscilloscope does not support the TEKPROBE interface, use the optional Tektronix 1103 Probe Power Supply.*

If the P6245 is used with the Tektronix 1103 Probe Power Supply, be sure to have a 50 Ω termination at the oscilloscope. Also, set the oscilloscope channel coupling to DC.

The probe offset control is controlled by the oscilloscope. If the oscilloscope used does not support the TEKPROBE interface, the offset controls on the optional Tektronix 1103 Probe Power Supply can be used.

Probe Offset

The probe offset is adjustable to permit operation within the probe's linear range. Using the offset to cancel DC signal components enables optimal probe performance. See Figure 1-1 on page 1-8.

NOTE. *See your oscilloscope manual for specific instructions on its operation and offset control.*

To set the probe offset, follow these steps:

1. Set the oscilloscope coupling to **GND**.
2. Use the vertical position control to set a zero reference level on the oscilloscope display.
3. Set the oscilloscope coupling to **DC** and **5 V/div**.
4. Attach the probe to the circuit.
5. Adjust the probe offset to bring the trace to the oscilloscope zero reference.
6. Change the volts/division setting to the desired range, adjusting the offset to keep the trace on the zero reference level.

NOTE. The P6245 has a ± 10 V offset range. The linear operating range is ± 8 V. See Figure 1-1. Also, see page 2-1 for more information.

If cursors are used on a TEKPROBE oscilloscope, the zero reference will be at the probe offset voltage.

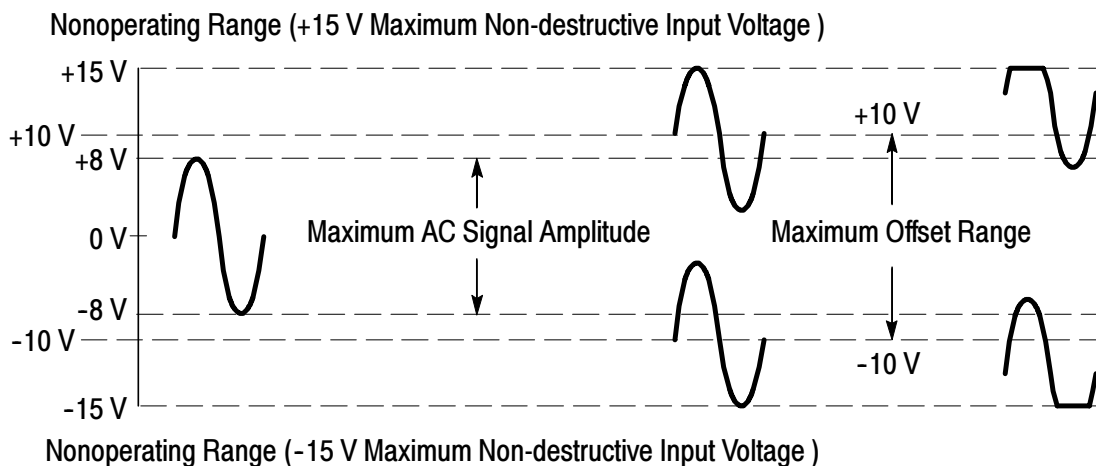


Figure 1-1: Dynamic and Offset Limitations

Functional Check

After installing the probe on the oscilloscope, a functional check may be performed using the **PROBE COMPENSATION** connections on the front panel of the oscilloscope. See Figure 1-2.

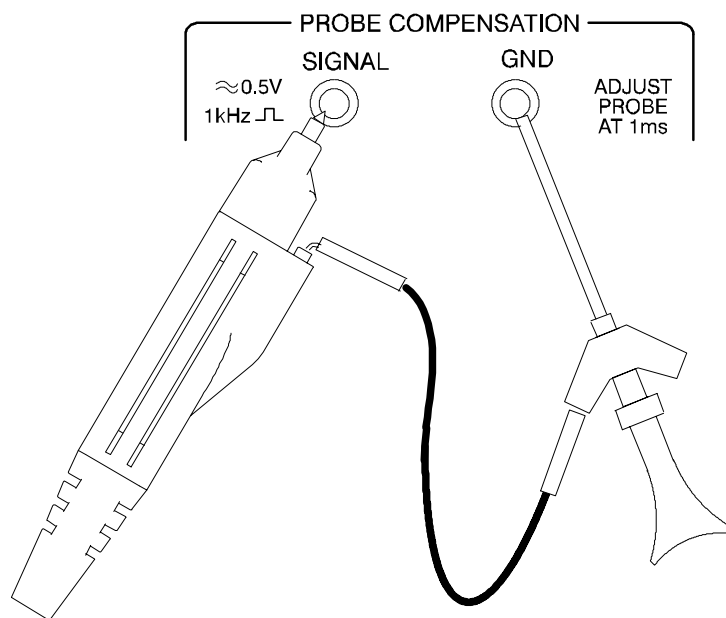


Figure 1-2: Probe Functional Check Connections

1. Connect the probe to the oscilloscope.
2. Set the oscilloscope to display the probe's channel.
3. Using a ground lead and a SMT KlipChip, connect the probe ground to the **PROBE COMPENSATION** ground connection on the oscilloscope.
4. Using a standard tip, hold the probe to the **SIGNAL** terminal on the oscilloscope.
5. Press **AUTOSET** (or adjust the oscilloscope) to display the calibration waveform.

NOTE. *If your instrument supports probe calibration routines, now is a good time to perform them.*

6. Disconnect the probe from the SIGNAL terminal and ground the probe tip. (Connect the KlipChip to the probe tip.)
7. With the probe offset set to 0.0 V, the oscilloscope display should be at the ground reference.
8. Set the oscilloscope volts/division to 5 V.
9. Adjust the probe offset. The displayed waveform should vary between approximately +10 V and -10 V. (A +10 V offset displays a -10 V level on your instrument.)

NOTE. *If no waveform is displayed, check the vertical coupling to be sure that it is set to DC.*

If the offset adjustment has no effect, set the vertical coupling to DC.

If you are using the Tektronix 1103 Probe Power Supply, and the waveform is distorted, check to make sure that the oscilloscope termination is 50 Ω .

If the probe does not pass this functional check, go to the *Troubleshooting* section of this manual.



Operating Basics



Operating Basics

Please follow these operating guidelines to get optimum performance from your P6245.

Maximum Non-destructive Input Voltage

The P6245 is electrically protected against static voltage; however, applying voltages above its design limits may damage the probe tip amplifier. Please refer to the *Specifications* section of this manual for the maximum operating voltage and frequency derating information.

Input Linear Dynamic Range

The probe head amplifier used by the P6245 has a limited linear operating range. To keep the input linearity error less than 4% you must limit the signal input voltage to ± 8 V (including any DC offset).

Use the DC offset adjustment to maintain the probe within its dynamic range. The nominal offset adjustment range of the P6245 is ± 10 VDC. For example: to offset a +5 VDC level in a circuit, set the offset to +5 V.

Ground Lead Length

When you are probing a circuit, you should always use as short a ground lead as possible between the probe head and circuit ground.

The series inductance added by the probe tip and ground lead can result in a resonant circuit; this circuit may cause parasitic “ringing” within the bandwidth of your oscilloscope. Refer to Figure 2-1.

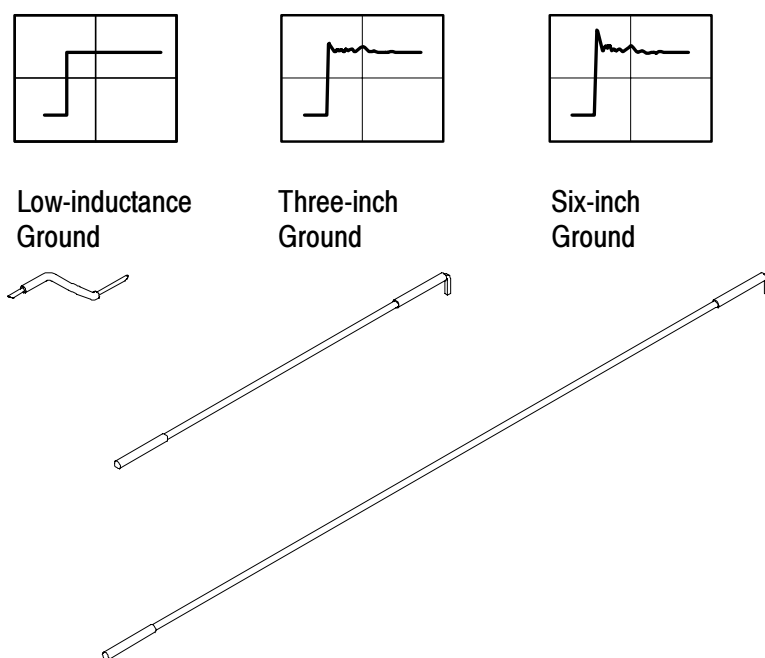


Figure 2-1: Waveform Distortion from Ground Lead Length

Ground Lead Inductance

When you touch your probe tip to a circuit element, you are introducing a new resistance, capacitance, and inductance into the circuit. Refer to Figure 2-2.

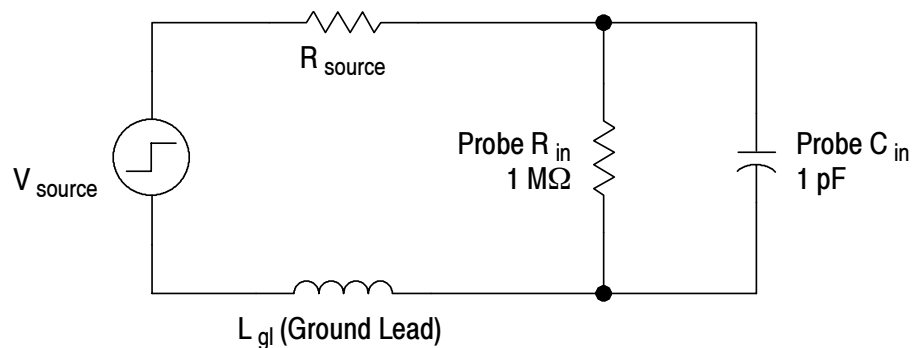


Figure 2-2: Ground Lead Equivalent Circuit

Ringings and rise time degradation can be masked if the frequency content of the signal degradation is beyond the bandwidth of the oscilloscope.

You can determine if ground lead effects may be a problem in your application if you know the self-inductance (L) and capacitance (C) of your probe and ground lead. Calculate the approximate resonant frequency (f_0) at which this parasitic circuit will resonate with the following formula:

$$f_0 = \frac{1}{2\pi \sqrt{LC}}$$

The preceding equation shows that reducing the ground lead inductance will raise the resonant frequency. If your measurements are affected by ringing, your goal is to lower the inductance of your ground path until the resulting resonant frequency is well above the frequency of your measurements.

The low-inductance ground contacts described in *Accessories* can help you reduce the effects of ground lead inductance on your measurements.

Helpful Hints

Follow these helpful hints to make probing easier and noise free.

Low-inductance Grounding

Placing a ground plane on top of a package being probed can minimize ground lead length and inductance. See Figure 2-3.

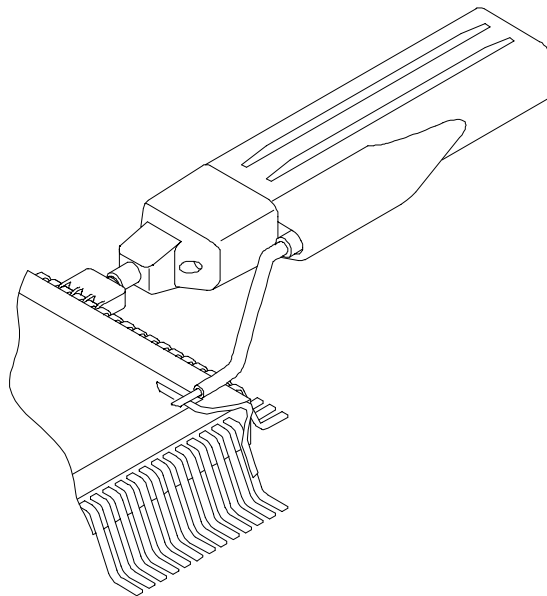


Figure 2-3: Low-inductance Grounding

Attach a small piece of copper clad on top of the package and connect it to the package ground connection. Use the low-inductance ground lead provided with the P6245 to keep the ground lead length as short as possible.

This method is very useful when making many measurements on the same package. Using a ground plane on the package makes probing the package easier, and avoids adding unnecessary ground lead length and distortion.

SureFoot™ Grounding

If you cannot use the low-inductance grounding method recommended, the probe may be grounded to the package under test using a SureFoot adapter. Refer to Figure 2-4.

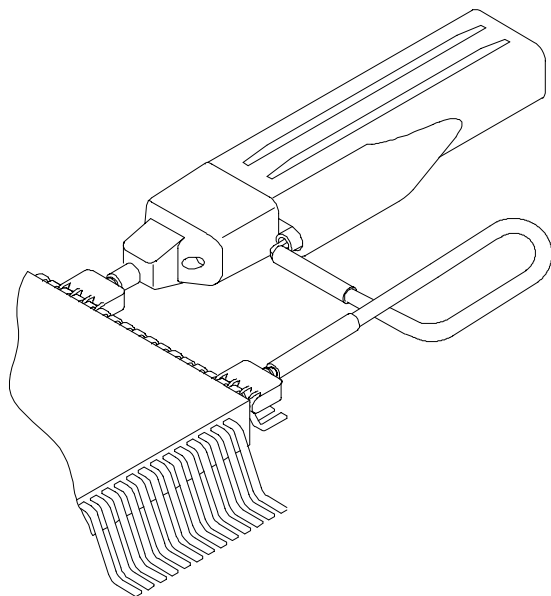


Figure 2-4: Using a SureFoot Adapter for Grounding

Use a SureFoot adapter at the end of a short ground lead to connect directly to the package ground. This method is preferred over using an adjacent circuit ground because it is the shortest ground path possible.

Probe Tip Test Points

The push-in probe tip or a 0.025 square pin can be soldered into a circuit to be used as a temporary test point. See Figure 2-5.

Solder the tip onto a lead or pin with a low-power soldering iron. Press the probe head onto the tip to make a measurement, and then pull the probe head off when you are done.

The probe tip may be removed and reused by desoldering it from the circuit, and soldering it into another circuit in the future.

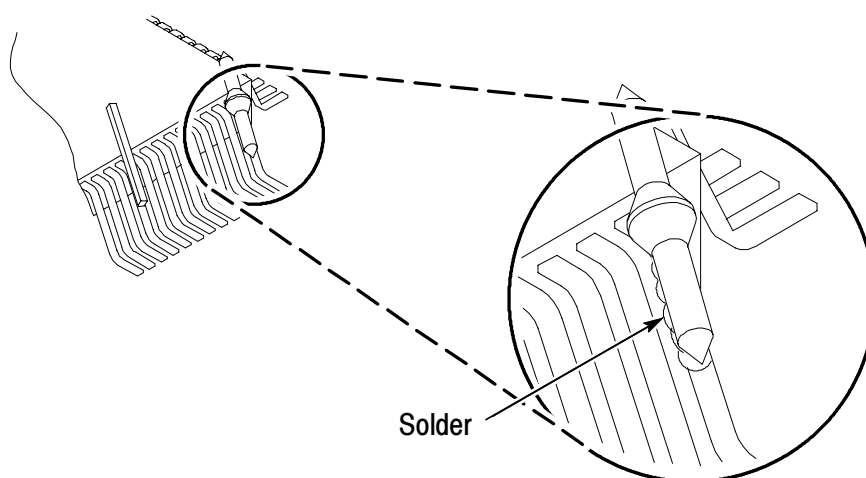


Figure 2-5: Using a Probe Tip as a Test Point

NOTE. *It is not recommended that pieces of solid-core copper wire be used as test points. If the wire breaks off in the probe tip socket, it may be impossible to remove the wire, and it will prevent insertion of other accessory tips.*

Probe Tip Stabilization

The P6245 probe head has a stabilizing notch for use with 0.100 inch spaced header pins. See the probe head detail on page 1-3.

As the probe is pressed onto the header pin, an adjacent pin can be inserted into the probe's stabilizing notch. See Figure 2-6. This prevents unnecessary force from being applied directly to the probe tip or pins.

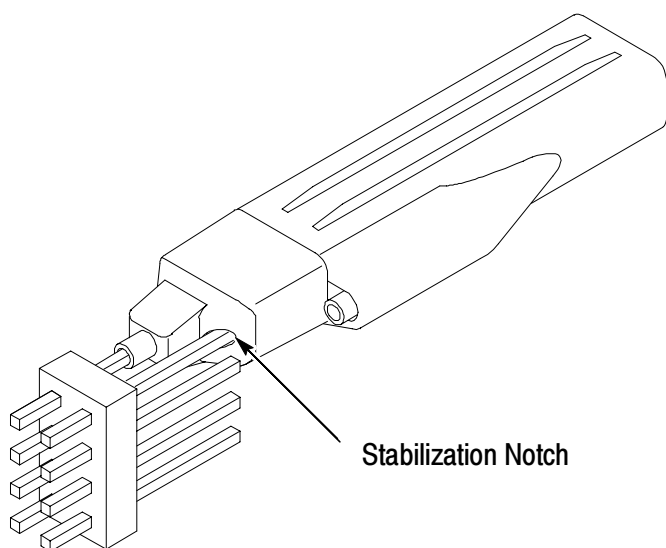


Figure 2-6: Probe Tip Stabilizing Notch

The signal-ground adapter then rests on the stabilized pin without a risk of its moving out of place.



Specifications

Specifications

These specifications apply to a P6245 when used with a TDS 684A oscilloscope.

The probe and instrument must first be allowed to warm up for 20 minutes before measurements are taken.



CAUTION. Do not apply voltages beyond the non-destructive input voltage range to the probe. Damage to the probe or circuit under test may result.

Table 3-1: Warranted Electrical Specifications

Analog Bandwidth (system)	1 GHz
DC Attenuation Accuracy (probe only)	10:1 \pm 2%
Output Zero	\pm 5 mV or less at output of probe \pm 50 mV or less displayed on screen with TEKPROBE interface
Rise Time (probe only)	267 ps on \geq 10 GHz oscilloscope

Table 3-2: Typical Electrical Characteristics

Analog Bandwidth (probe only)	1.5 GHz on ≥ 10 GHz oscilloscope (See Figure 3-1.)
Linear Input Dynamic Range	- 8 V to + 8 V. (Equivalent to - 0.8 V to + 0.8 V at the output of the probe.)
Linearity	$\pm 4\%$ or less of dynamic range
Non-Destructive Input Voltage Range	- 15 V to + 15 V (DC + peak AC) (See Figure 3-2.)
Input Resistance	1 M Ω at DC. (See Figure 3-4)
Input Capacitance	≤ 1.0 pF
Offset Range	-10 V to +10 V
DC Offset Drift	100 $\mu\text{V}/^\circ\text{C}$ or less at output of probe 1 mV/ $^\circ\text{C}$ or less displayed on screen with TEKPROBE interface
Delay Time	5.3 ns ± 0.2 ns

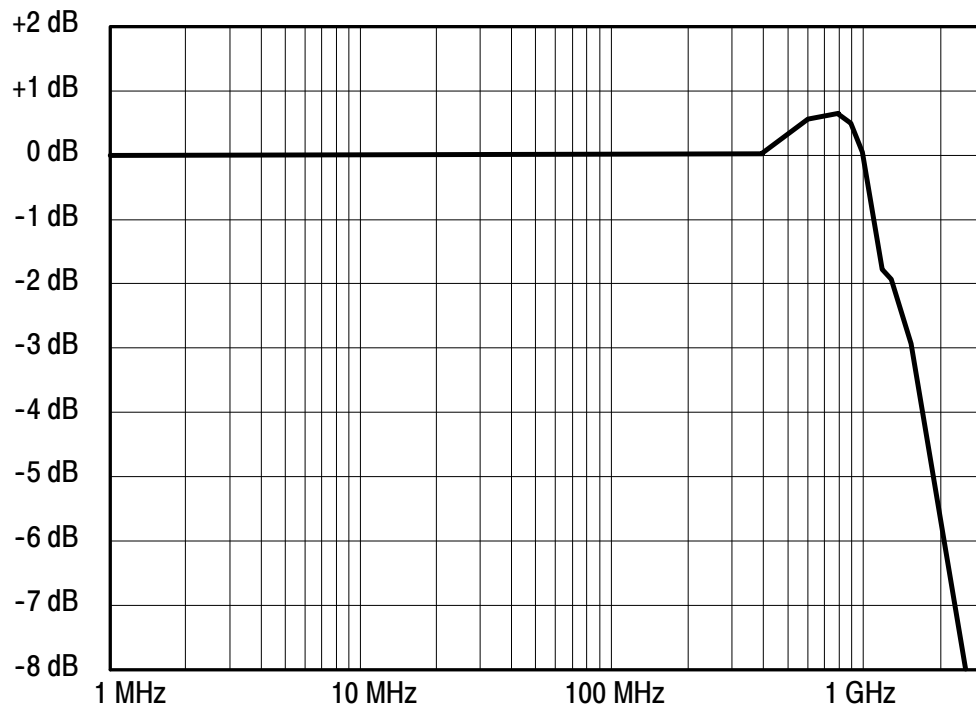


Figure 3-1: Typical Bandwidth

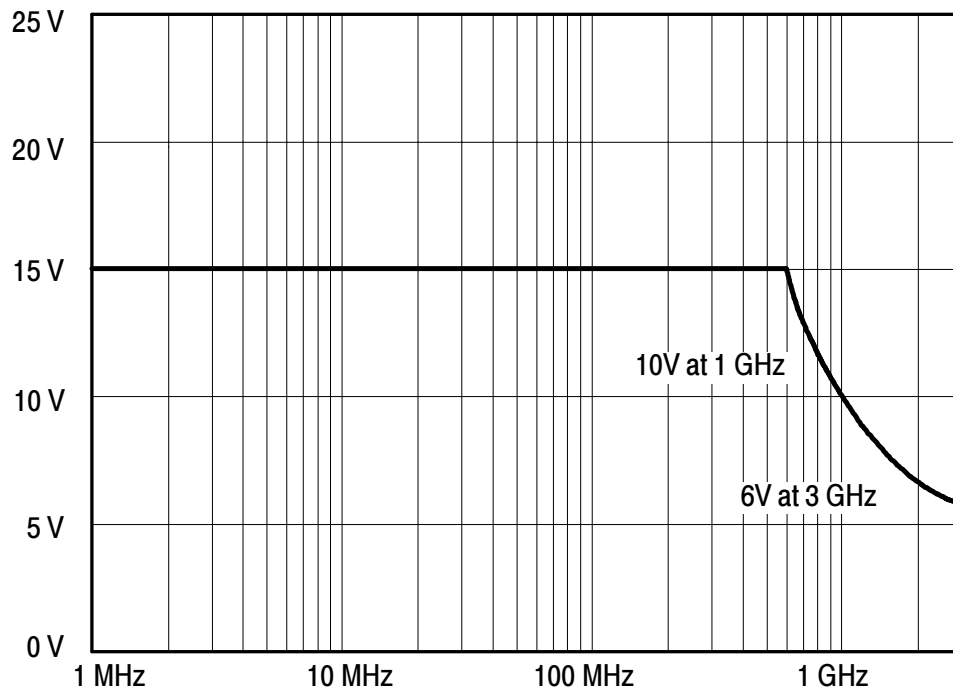


Figure 3-2: Typical Non-Destructive Peak Volt. Derating vs. Frequency

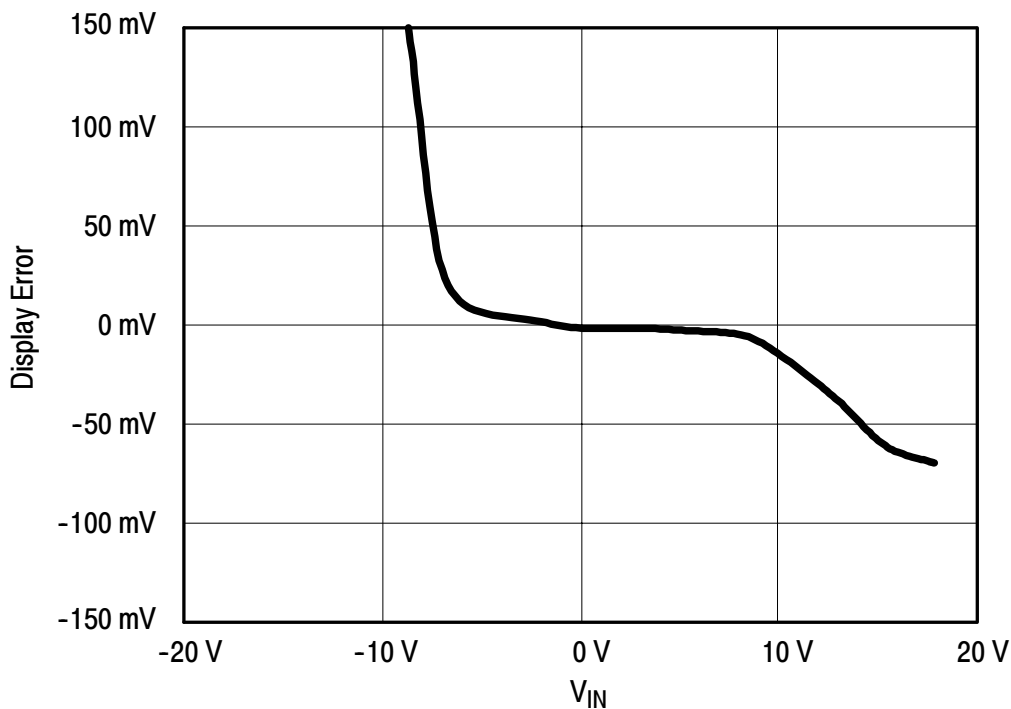


Figure 3-3: Typical Linearity Error vs V_{IN}

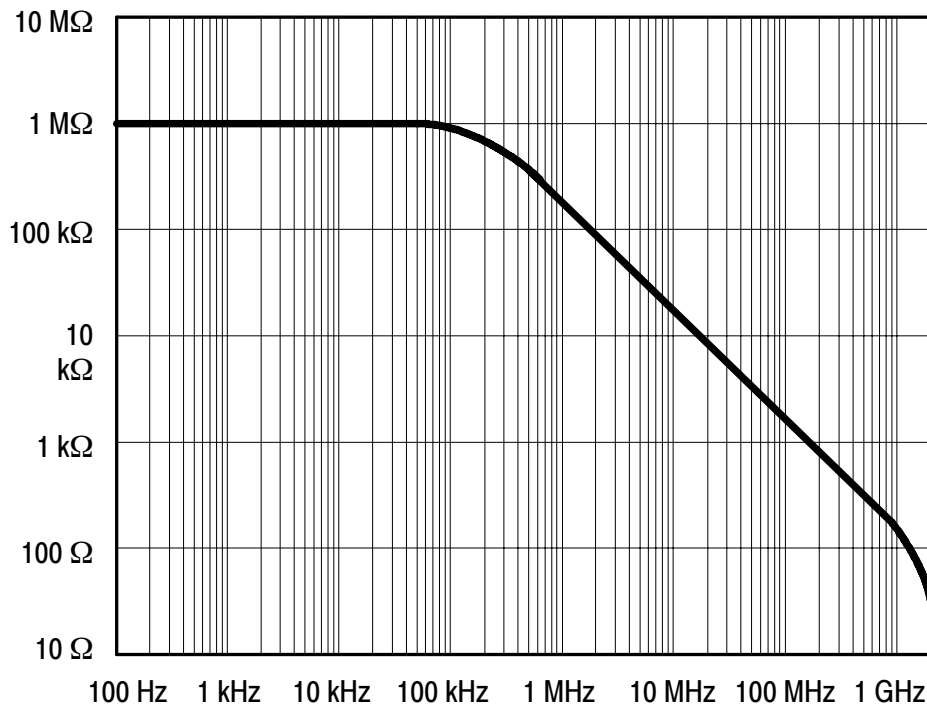


Figure 3-4: Typical Input Impedance vs. Frequency

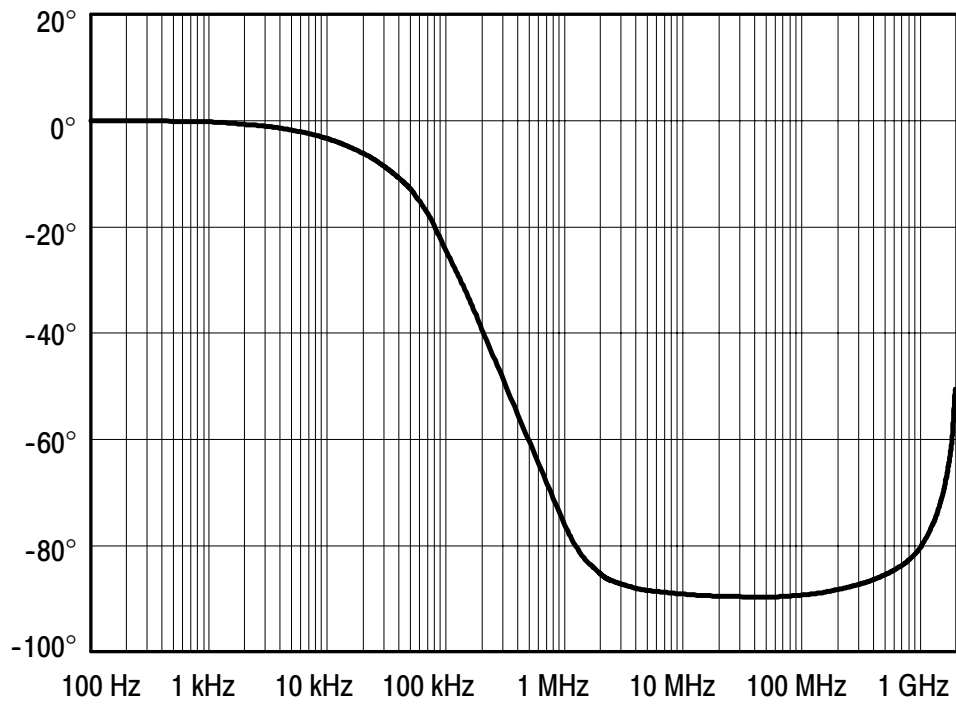


Figure 3-5: Typical Phase vs. Frequency

Table 3-3: Physical Characteristics

Net Weight	63.8 g (2.25 ounces)
Cable Length	1.3 meter

Table 3-4: Environmental Characteristics

Operating Temperature	0° C TO +50° C. The environmental exposure is the procedure stated in Tektronix Design Standard 062-2847-00 for Class 5 equipment.
Non-operating Temperature	- 40° C TO + 71° C. The environmental exposure is the procedure stated in Tektronix Design Standard 062-2847-00 for Class 5 equipment.
Humidity	The environmental exposure is the procedure stated in Tektronix Design Standard 062-2847-00 for Class 5 equipment.
Packaged Product Vibration and Shock	The packaged product qualifies under the Distribution Cycle 1 Assurance Level II for packaged products 0 - 20 lbs. Test 2 for Warehouse and Vehicle Stacking (Compression) is omitted. Tektronix standard 062-2858-00, Rev. B, Class 5.
Electrostatic Immunity	IEC 801-2
EMC	IEC 801-3
Altitude	Operating: 15,000 ft. Non-Operating: 50,000 ft.



Français

Manuel d'utilisation

Tektronix

P6245

Sonde active 10X 1,5 GHz

070-8995-04

Copyright© Tektronix, Inc. Tous droits réservés.

Les produits Tektronix sont protégés aux Etats-Unis et à l'étranger par des brevets déjà obtenus ou dont la demande a été déposée. Les informations contenues dans ce manuel remplacent toute information publiée dans les documents précédents. Tektronix se réserve le droit de modifier les prix et spécifications de ses produits.

Tektronix, Inc., P.O. Box 500, Beaverton, OR 97077

TEKPROBE, TEKTRONIX, et TEK sont des marques déposées de Tektronix, Inc.

GARANTIE

Tektronix garantit le présent produit pendant une période d'un (1) an, à compter de la date d'expédition, contre tout défaut de matériaux ou de main-d'œuvre. Si une déficience vient à se manifester pendant cette période de garantie, Tektronix s'engage à procéder, à sa meilleure convenance, soit à la réparation du produit déficient, en prenant pièces et main-d'œuvre à sa charge, soit à remplacer le produit déficient par un produit identique.

Pour faire valoir sa garantie, le Client doit informer Tektronix de la déficience avant l'échéance de la période de garantie et prendre les dispositions nécessaires pour que l'intervention puisse avoir lieu. Le Client est responsable du conditionnement et de l'expédition du produit déficient jusqu'au centre d'intervention indiqué par Tektronix, le coût de cette expédition étant à sa charge. Tektronix s'engage à supporter le coût de la réexpédition du produit au Client, pour autant que le site du client soit implanté dans le pays du centre d'intervention Tektronix. Le Client s'engage à acquitter tous les droits, taxes et frais d'expédition, ainsi que tous les autres frais liés à la réexpédition du produit vers d'autres sites.

La présente garantie ne couvre en aucune manière les déficiences, pannes ou dommages provoqués par une utilisation incorrecte du produit ou par une maintenance inadéquate. Tektronix ne devra en aucune manière intervenir dans le cadre de la garantie pour a) réparer des dommages résultant d'interventions effectuées par une personne ne représentant pas Tektronix et visant à installer réparer ou entretenir le produit; b) réparer des dommages résultant d'une utilisation incorrecte ou d'un branchement à des équipements incompatibles; ou c) réparer des dommages ou fonctionnements défectueux résultant de l'utilisation d'équipement de marques autres que Tektronix; ou d) entretenir un produit qui a été modifié ou intégré dans une configuration plus grande, lorsqu'une telle modification ou intégration accroissent la durée ou la difficulté de l'entretien du produit.

LA PRÉSENTE GARANTIE COUVRE CE PRODUIT ET EST CONFÉRÉE PAR TEKTRONIX EN LIEU ET PLACE DE TOUTE AUTRE GARANTIE, EXPRESSE OU IMPLICITE. TEKTRONIX ET SES FABRICANTS RÉFUTENT TOUTE GARANTIE IMPLICITE D'APTITUDE À LA COMMERCIALISATION OU D'ADÉQUATION À UNE UTILISATION SPÉCIFIQUE. LA RESPONSABILITÉ DE TEKTRONIX DE RÉPARER OU DE REMPLACER LES PRODUITS DÉFICIENTS EST LE SEUL ET UNIQUE RECOURS OFFERT AU CLIENT EN CAS D'APPLICATION DE CETTE GARANTIE. TEKTRONIX ET SES FABRICANTS NE POURRONT ÊTRE TENUS RESPONSABLES DE DOMMAGES INDIRECTS, SPÉCIAUX, SUBSÉQUENTS OU CONSÉQUENTS, ET CE, QUE TEKTRONIX ET SES FABRICANTS AIENT OU NON ÉTÉ INFORMÉS PRÉALABLEMENT DU RISQUE DE SURVENANCE DE TELS DOMMAGES.

Table des matières

Mise en route

Description du produit	1-1
Accessoires standard	1-1
Service clientèle	1-2
Caractéristiques et accessoires	1-3
Configuration	1-9
Décalage de sonde	1-9
Vérification de fonctionnement	1-12

Fonctionnement

Tension d'entrée non destructive maximum	2-1
Plage dynamique linéaire d'entrée	2-1
Longueur du fil de masse	2-2
Suggestions pratiques	2-5
Mise à la masse à faible inductance	2-5
Mise à la masse avec l'adaptateur SureFoot™	2-6
Points de mesure avec embout de sonde	2-7
Stabilisation de l'embout de sonde	2-8

Caractéristiques techniques

Figures

Figure 1-1: Limites dynamiques et de décalage	1-11
Figure 1-2: Connexions de vérification du fonctionnement de la sonde	1-12
Figure 2-1: Distortion du signal selon la longueur du fil de masse	2-2
Figure 2-2: Réseau équivalent du fil	2-3
Figure 2-3: Mise à la masse à faible inductance	2-5
Figure 2-4: Utilisation d'un adaptateur SureFoot pour mise à la masse	2-6
Figure 2-5: Utilisation d'un embout de sonde comme point de mesure	2-7
Figure 2-6: Encoche de stabilisation inductance	2-8
Figure 3-1: Bande passante typique	3-3
Figure 3-2: Réponse en fréquence typique	3-3
Figure 3-3: Erreur de linéarité typique par rapport à la tension d'entrée	3-4
Figure 3-4: Impédance d'entrée typique par rapport à la fréquence	3-4
Figure 3-5: Phase typique par rapport à la fréquence	3-5

Consignes de sécurité

Veillez lire attentivement les consignes ci-dessous concernant la prévention des blessures corporelles et des dommages à l'appareil ou à tout autre produit connecté.

Seul le personnel qualifié est autorisé à effectuer les procédures d'entretien.

Précautions particulières pour éviter les blessures

Eviter les surcharges électriques

N'appliquez jamais une tension qui excède la plage spécifiée afin d'éviter les décharges électriques et les risques d'incendie.

Ne pas utiliser sans capots

Pour prévenir les décharges électriques et les risques d'incendie, n'utilisez jamais ce produit sans ses capots de protection et panneaux.

Ne pas utiliser dans des conditions humides

Pour prévenir les décharges électriques, n'utilisez pas la sonde dans des conditions humides.

Ne pas utiliser dans un environnement explosif

Pour prévenir les blessures et les risques d'incendie, n'utilisez pas la sonde dans un environnement potentiellement explosif.

Précautions à prendre pour éviter d'endommager l'appareil

Ne pas utiliser en cas de défaillance

Si vous détectez une défaillance possible de la sonde, faites-la inspecter par un technicien de maintenance.

Ne pas immerger dans un liquide

Nettoyez la sonde avec un chiffon humide seulement. Reportez-vous aux recommandations de nettoyage.

Symboles et définitions

Termes apparaissant dans ce manuel

Vous trouverez les termes ci-après dans ce manuel :



WARNING. *signale des conditions ou actions dangereuses pour l'utilisateur (risques de blessure ou danger de mort).*



CAUTION. *signale des conditions ou actions qui peuvent provoquer des dommages au matériel ou à d'autres équipements.*

Structure du manuel

Informations d'utilisation

Cette partie présente les informations nécessaires à l'installation et à l'utilisation de la sonde P6245.

- Mise en route

Ce chapitre contient la description du produit et des accessoires, la configuration d'installation de la sonde et les modalités de vérification de la sonde pour un fonctionnement normal.

- Fonctionnement

Ce chapitre contient des renseignements de base et des suggestions d'exploitation pour une performance optimale de la sonde.

- Caractéristiques techniques

Informations de maintenance (en anglais)

Cette partie contient les renseignements nécessaires à la maintenance et à la réparation de la sonde P6245.

- Théorie de fonctionnement (*Theory of Operation*)

- Vérification des performances (*Performance Verification*)

- Réglages (*Adjustments*)

- Maintenance (*Maintenance*)

- Dépannage (*Troubleshooting*)

Liste des pièces de rechange (en anglais)



Mise en route

Description du produit

La sonde P6245 de Tektronix est une sonde active TEC (transistor à effet de champ) 10X de 1,5 GHz (sonde uniquement), avec une capacité d'entrée inférieure à 1 pF. La faible capacité d'entrée et la résistance d'entrée élevée de cette sonde permettent de minimiser la charge du circuit sur une large bande passante. Par la petite taille et la légèreté de sa tête, la sonde P6245 facilite et accélère les mesures manuelles sur les circuits à haute densité. Des embouts et adaptateurs accessoires lui permettent d'être utilisée sur une grande variété d'architectures de circuits.

La sonde P6245 est alimentée par une interface TEKPROBE située entre la boîte de compensation de la sonde et l'oscilloscope. Elle peut également être utilisée avec des oscilloscopes et instruments non TEKPROBE à l'aide de l'unité d'alimentation de sondes Tektronix 1103.

Afin de pleinement apprécier les possibilités de la sonde, veuillez lire les chapitres *Mise en route* et *Fonctionnement* de ce manuel.

Accessoires standard

La sonde P6245 est livrée avec les accessoires standard suivants :

- embouts de sonde standard
- fils de test de microcircuit SMT KlipChip™
- adaptateur en Y
- adaptateur à angle droit
- adaptateurs signal-terre
- fils de masse de 7,6 cm et 15 cm
- fil de masse faible inductance
- bagues repères
- manuel d'utilisation

Pour des renseignements sur les références des accessoires standard et optionnels, reportez-vous au chapitre *Replaceable Parts* de ce manuel.

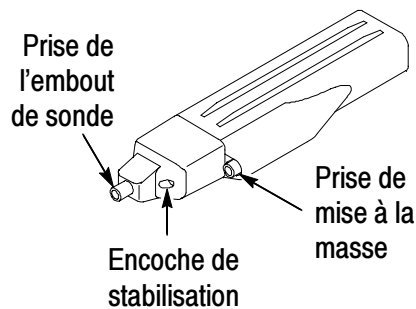
Service clientèle

Afin d'obtenir une performance optimale de la sonde P6245, n'hésitez pas à contacter votre centre Tektronix le plus proche :

- pour une assistance dans l'utilisation de votre sonde,
- pour toutes réparations non décrites dans ce manuel,
- pour commander du matériel ou des accessoires supplémentaires.

Caractéristiques et accessoires

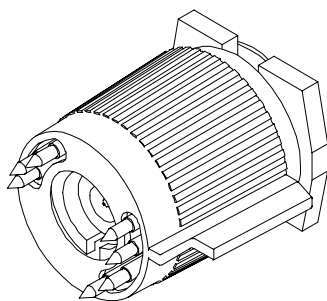
La sonde P6245 est dotée de plusieurs caractéristiques et accessoires conçus pour faciliter les opérations de mesure. Veuillez vous familiariser avec ces différents éléments et leur utilisation.



Tête de la sonde. La conception de la tête de sonde permet une grande facilité d'utilisation et une performance optimale. Sa petite taille facilite son maniement dans des espaces restreints.

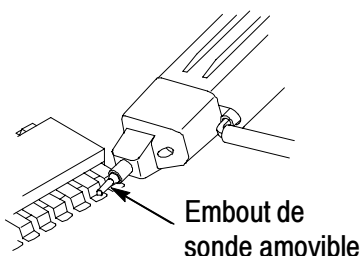
La dimension de la prise de l'embout de sonde permet l'insertion aisée d'embouts de 0,025 pouce pour un accès direct. La prise de mise à la masse fournit une liaison courte à la masse pour des connexions haute fidélité.

L'encoche de stabilisation permet d'utiliser les broches adjacentes pour réduire la contrainte sur la sonde et les broches. Voir les pages 1-6 et 2-8 pour des renseignements supplémentaires.



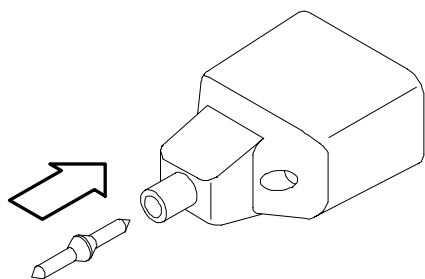
Interface TEKPROBE™. L'interface TEKPROBE fournit une voie de communication entre la sonde et l'oscilloscope. Des pointes de contact fournissent l'alimentation, le signal, le décalage et le transfert de données caractéristiques de la sonde. Voir page 4-2 pour des renseignements supplémentaires.

Si votre oscilloscope n'accepte pas l'interface TEKPROBE, vous pouvez utiliser l'unité d'alimentation de sonde 1103, en option, comme interface. Contactez Tektronix pour de plus amples renseignements.



Embout de sonde amovible. Utilisez l'embout de sonde amovible pour les mesures manuelles en général. L'embout peut aussi servir de point de mesure temporaire. Voir page 2-7 pour de plus amples renseignements.

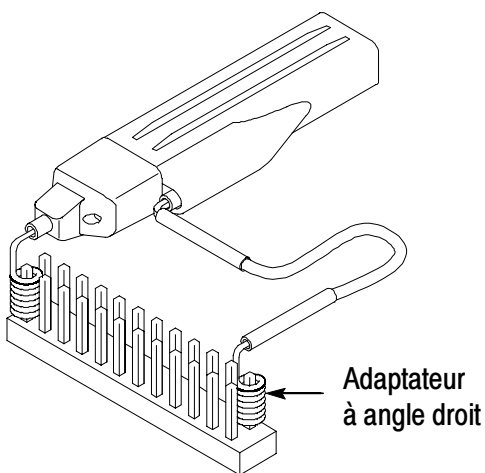
L'embout de sonde amovible peut aussi être utilisé avec les autres fils et adaptateurs à prise femelle.



Installation de l'embout de sonde amovible

Fixez l'embout de sonde en le positionnant dans la prise de l'embout de sonde et en l'y enfonçant jusqu'à ce qu'il soit en place. Vous pouvez utiliser n'importe quelle extrémité de l'embout.

Ne forcez pas sur l'embout. Faites également attention à ne pas vous blesser avec l'embout qui est pointu. Pour enlever l'embout, saisissez-le *douce*ment à l'aide d'une petite pince et retirez-le de la prise.

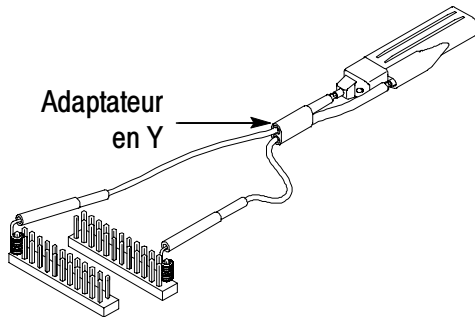


Adaptateur à angle droit. Utilisez l'adaptateur à angle droit pour les mesures de broches carrées de 0,025 pouce de diamètre.

L'adaptateur à angle droit permet de poser la sonde P6245 à plat contre la carte à circuits. Ceci permet des mesures dans les circuits verticaux tels que dans les bus d'interconnexion ou dans des espaces étroits comme entre des cartes électroniques.

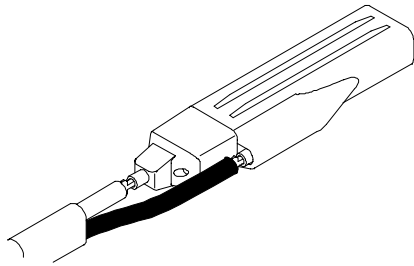
L'adaptateur à angle droit peut être utilisé directement avec la tête de sonde ou bien fixé à l'adaptateur en Y ou aux fils de mise à la masse.

L'adaptateur à angle droit se fixe de la même façon que l'embout de sonde amovible et peut être facilement retiré à la main.

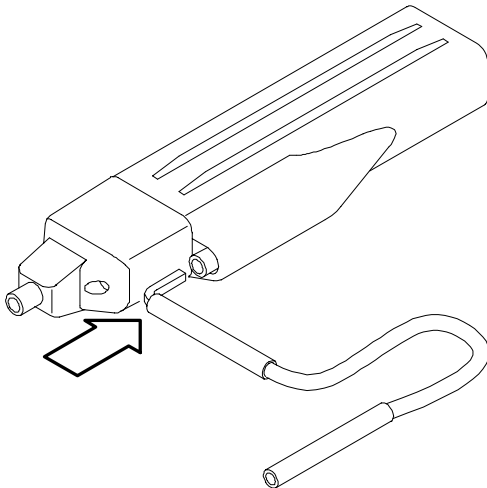


Adaptateur en Y. Utilisez l'adaptateur en Y pour augmenter physiquement la portée de la sonde et de la mise à la masse, si nécessaire. L'adaptateur en Y accepte tous les embouts et adaptateurs et peut être directement inséré dans les broches.

Lorsque vous établissez la connexion à la masse, utilisez un fil aussi court que possible. Reportez-vous à la page 2-1 pour de plus amples renseignements.



Pour fixer l'adaptateur, insérez doucement les broches dans l'embout et la prise de masse de la sonde. Il est recommandé d'utiliser le fil noir pour la mise à la masse.

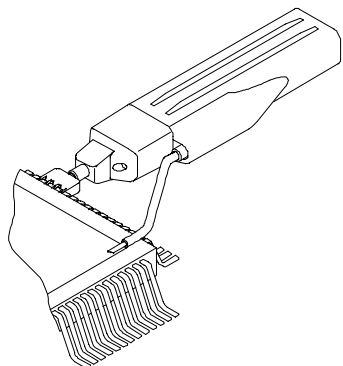


Fils de mise à la masse de 7,6 cm et 15 cm

Utilisez les fils de mise à la masse de 7,6 cm et 15 cm pour les mesures générales. L'extrémité des fils comportant la prise femelle peut être connectée à tous les embouts et adaptateurs de sonde ou sur les broches elles-mêmes.

Pour fixer les fils de masse, insérez en tournant le connecteur du fil dans la prise de mise à la masse située sur la tête de sonde. Ces fils se retirent facilement à la main.

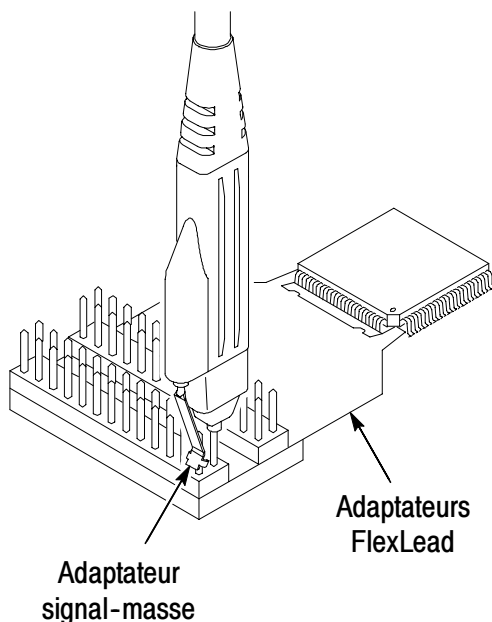
Lorsque vous établissez la connexion à la masse, utilisez un fil aussi court que possible. Reportez-vous à la page 2-1 pour de plus amples renseignements.



Fil de masse faible inductance. Utilisez l'adaptateur de masse à faible inductance pour réduire considérablement l'inductance du fil de masse. Comme le fil de masse ne fait que toucher la référence masse, vous pouvez aisément déplacer la sonde sur l'unité à tester.

Pour le fixer, insérez le fil de masse dans la prise de masse de la sonde.

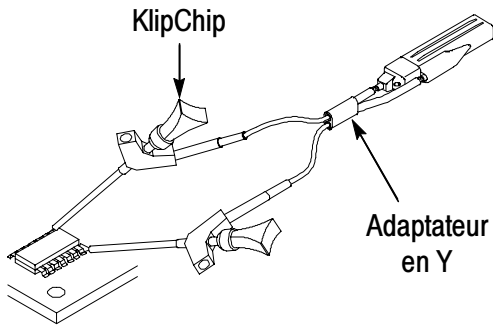
Lorsque vous établissez la connexion à la masse, utilisez un fil aussi court que possible. Reportez-vous à la page 2-1 pour de plus amples renseignements.



Adaptateur signal-masse. L'adaptateur signal-masse est idéal pour les paires signal/masse sur les broches d'espacement 0,100 pouce (tels que les adaptateurs FlexLead™).

Pour fixer l'adaptateur, insérez-le doucement dans la prise de masse située sur la tête de la sonde.

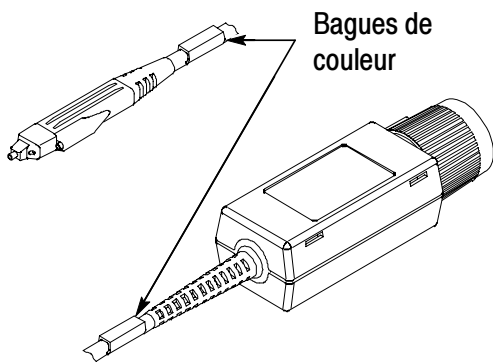
N'oubliez pas d'utiliser l'encoche de stabilisation si possible. Voir page 2-8 pour de plus amples détails.



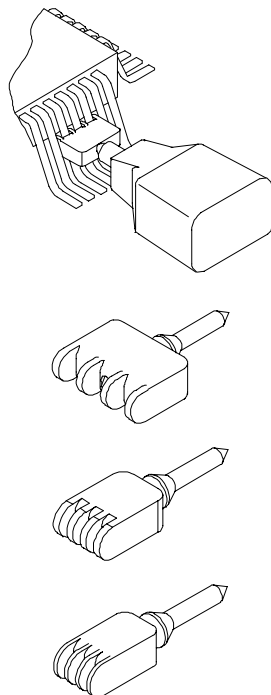
KlipChip™ CMS. Utilisez les pinces de test KlipChip CMS pour accéder aux circuits fragiles et denses.

Les pinces KlipChip peuvent être connectées au fil en Y ou aux fils de mise à la masse de 7,6 cm ou de 15 cm. Il suffit d'insérer la prise du fil dans la poignée du KlipChip.

Le corps du KlipChip tourne librement, ce qui permet une meilleure orientation de la sonde. Le KlipChip se plie jusqu'à un angle de 35 degrés, pour réduire l'encombrement et les contraintes sur les composants à tester.



Bagues de couleur. Fixez deux bagues de même couleur sur le câble à la tête et à la boîte de compensation de chaque sonde. Ces bagues permettent de vérifier rapidement quelle sonde est connectée à quelle voie de l'instrument.



Adaptateur SureFoot™ (en option).

L'adaptateur SureFoot comprend un embout de sonde et un guide miniature qui permet de l'utiliser sans erreur avec les composants CMS très fins. Fixez les adaptateurs SureFoot de la même façon que les embouts de sonde amovibles. Ils peuvent être utilisés avec tous les fils accessoires à prise femelle.

L'adaptateur SureFoot jaune de 0,050 pouce est compatible avec les composants JEDEC 50 mil tels que SOIC, PLCC, CLCC, etc.

L'adaptateur SureFoot bleu de 0,025 pouce est compatible avec les composants EIAJ et JEDEC de 0,65 mm.

L'adaptateur SureFoot rouge de 0,5 mm est compatible avec les composants EIAJ.

Configuration

La sonde P6245 fournit à l'oscilloscope le numéro de modèle, le numéro de série et le facteur d'atténuation de la sonde. Quand la sonde est connectée à un oscilloscope TEKPROBE, les données affichées sont corrigées en fonction du facteur d'atténuation de la sonde, la résistance d'entrée de l'appareil est réglée à 50 Ω et le couplage est réglé sur courant continu.



CAUTION. *N'essayez pas d'installer la sonde P6245 sur un connecteur non TEKPROBE. Vous pourriez endommager la sonde et le connecteur. Si votre oscilloscope n'accepte pas l'interface TEKPROBE, utilisez l'unité d'alimentation de sonde Tektronix 1103 en option.*

Si vous utilisez la sonde P6245 avec l'unité d'alimentation de sonde Tektronix 1103, assurez-vous que l'oscilloscope a une terminaison de 50 Ω et réglez le couplage de voie sur courant continu.

Le décalage de la sonde est contrôlé par l'oscilloscope. Si l'oscilloscope utilisé n'accepte pas l'interface TEKPROBE, vous pouvez utiliser les commandes de décalage situées sur l'unité d'alimentation de sonde Tektronix 1103.

Décalage de sonde

Le décalage de sonde est réglable, ce qui permet d'opérer dans les limites de plage linéaire de la sonde. L'utilisation du décalage pour annuler les composants de courant continu du signal garantit une performance optimale de la sonde. Voir Figure 1-1, page 1-10.

NOTE. *Reportez-vous au manuel de l'oscilloscope pour des instructions spécifiques sur son fonctionnement et les commandes de décalage.*

Pour régler le décalage de sonde, opérez comme suit :

1. Réglez le couplage de l'oscilloscope sur **GND**.
2. A l'aide de la commande de position verticale, établissez un niveau de référence zéro sur l'écran de l'oscilloscope.
3. Réglez le couplage de l'oscilloscope sur **DC** et **5 V/div**.
4. Connectez la sonde au circuit.
5. Ajustez le décalage de la sonde de façon à amener la trace à la référence zéro de l'oscilloscope.
6. Réglez la commande volts/division sur la plage désirée, tout en ajustant le décalage pour garder la trace sur le niveau de référence zéro.

NOTE. La sonde P6245 a une plage de décalage de ± 10 V. La plage de fonctionnement linéaire est de ± 8 V. Voir Figure 1-1. Voir également page 2-1 pour des informations complémentaires.

Si vous utilisez des curseurs sur un oscilloscope TEKPROBE, la référence zéro sera à la tension de décalage de la sonde.

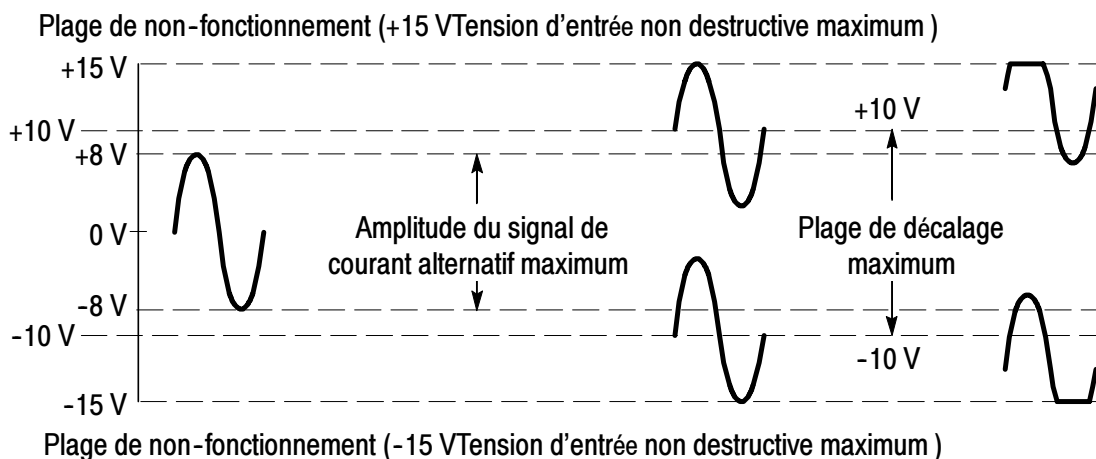


Figure 1-1: Limites dynamiques et de décalage

Vérification de fonctionnement

Après avoir installé la sonde sur l'oscilloscope, vous pouvez effectuer une vérification de fonctionnement à l'aide des connexions **PROBE COMPENSATION** situées sur la face avant de l'oscilloscope. Voir Figure 1-2.

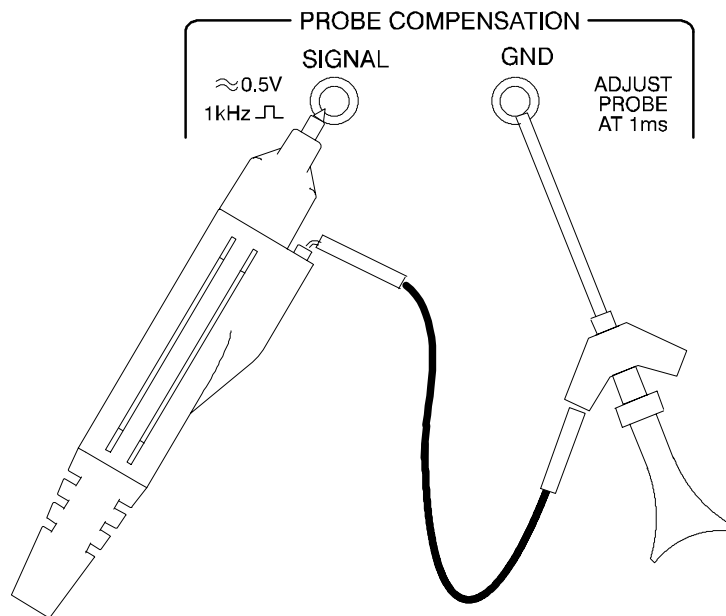


Figure 1-2: Connexions de vérification du fonctionnement de la sonde

1. Connectez la sonde à l'oscilloscope.
2. Réglez l'oscilloscope de manière à afficher la voie de la sonde.
3. A l'aide d'un fil de mise à la masse et d'un KlipChip CMS, connectez la prise de masse de la sonde à la connexion de masse **PROBE COMPENSATION** située sur l'oscilloscope.
4. A l'aide d'un embout standard, positionnez la sonde sur la sortie **SIGNAL** de l'oscilloscope.
5. Appuyez sur **AUTOSET** (ou bien réglez l'oscilloscope) pour afficher le signal de calibration.

NOTE. *Si votre appareil possède les programmes de calibration de sonde, il est recommandé de les exécuter maintenant.*

6. Déconnectez la sonde de la sortie SIGNAL et mettez l'embout de la sonde à la masse. (Connectez le KlipChip à l'embout de la sonde.)
7. Le décalage de la sonde étant réglé à 0,0, l'oscilloscope devrait afficher une référence masse.
8. Réglez la commande volts/division de l'oscilloscope à 5V.
9. Ajustez le décalage de la sonde. Le signal affiché doit varier approximativement entre +10 et -10 volts. (Un décalage de +10V est affiché sur votre appareil comme niveau -10V.)

NOTE. *Si le signal n'apparaît pas, vérifiez le couplage vertical et assurez-vous qu'il est bien réglé sur courant continu.*

Si l'ajustement du décalage n'a pas d'effet, réglez le couplage vertical sur courant continu.

Si vous utilisez l'unité d'alimentation de sonde Tektronix 1103 et que le signal est distordu, assurez-vous que la terminaison de l'oscilloscope est bien de 50 Ω .

Si le résultat de cette vérification de la sonde est négatif, reportez-vous au chapitre *Troubleshooting* de ce manuel.



Fonctionnement

Fonctionnement

Veillez suivre les consignes d'exploitation suivantes pour obtenir une performance optimale de votre sonde P6245.

Tension d'entrée non destructive maximum

La sonde P6245 est protégée électriquement contre la tension statique; cependant, l'application de tensions dépassant les limites admises peut endommager l'amplificateur de l'embout de sonde. Veuillez consulter le chapitre *Caractéristiques techniques* de ce manuel pour des renseignements sur la tension maximum et la réponse en fréquence.

Plage dynamique linéaire d'entrée

L'amplificateur de tête de sonde utilisé par la sonde P6245 a une plage de fonctionnement linéaire limitée. Pour garder les erreurs de linéarité d'entrée au-dessous de 4%, vous devez limiter la tension d'entrée du signal à $\pm 8V$ (y compris les décalages de courant continu).

Servez-vous du réglage du décalage de courant continu pour maintenir la sonde dans les limites de sa plage dynamique. La plage nominale de réglage du décalage de la sonde P6245 est de $\pm 10 V$ CC. Par exemple, pour décaler un niveau de + 5 V CC dans un circuit, réglez le décalage à +5V.

Longueur du fil de masse

Lorsque vous effectuez des mesures à l'aide d'une sonde, vous devez toujours utiliser le fil de masse le plus court possible entre la tête de la sonde et la prise de masse du circuit.

L'inductance série ajoutée par l'embout de la sonde et le fil de masse peut engendrer un circuit résonant. Celui-ci peut causer une

oscillation parasite dans la bande passante de votre oscilloscope.
Reportez-vous à la Figure 2-1.

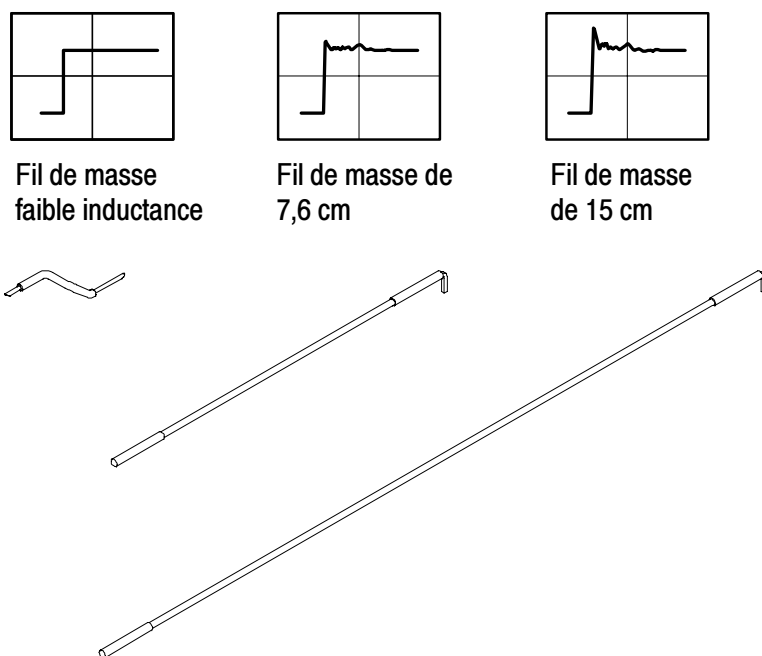


Figure 2-1: Distortion du signal selon la longueur du fil de masse

Inductance du fil de masse

Lorsque vous appliquez l'embout de votre sonde sur un élément du circuit, vous introduisez dans le circuit une nouvelle résistance, une nouvelle capacité et une nouvelle inductance. Reportez-vous à la Figure 2-2.

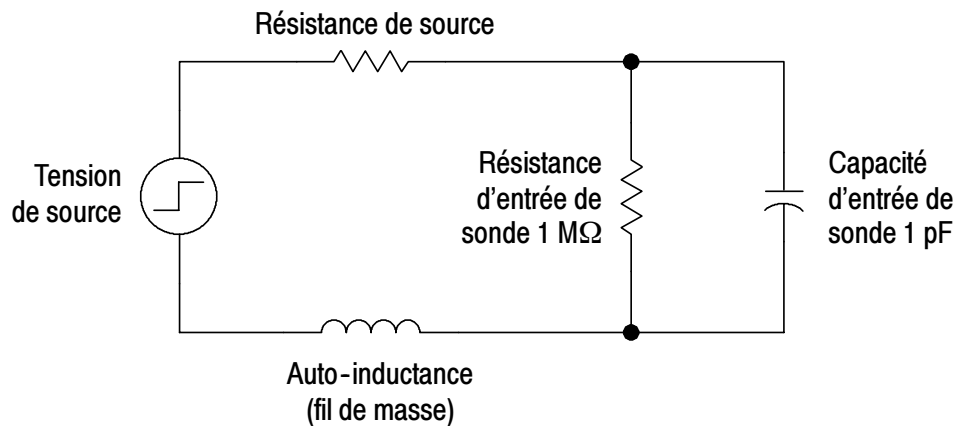


Figure 2-2: Réseau équivalent du fil

L'effet d'oscillation et la dégradation du temps de montée peuvent être masqués si le contenu de fréquence de la dégradation de signal est en dehors de la bande passante de l'oscilloscope.

Vous pouvez déterminer si la connexion à la masse pose un problème pour votre application si vous connaissez l'auto-inductance (L) et la capacité (C) de votre sonde et de votre fil de masse. Calculez la fréquence de résonance (f_0) approximative à laquelle ce circuit parasite sera résonant, à l'aide de la formule suivante :

$$f_0 = \frac{1}{2\pi \sqrt{LC}}$$

L'équation ci-dessus montre que la réduction de l'inductance du fil de masse augmente la fréquence de résonance. Si vos mesures sont affectées d'oscillation, essayez de baisser l'inductance de votre connexion à la masse jusqu'à ce que la fréquence de résonance obtenue soit bien au-dessus de la fréquence de vos mesures.

Les contacts de masse à faible inductance décrits à la section *Caractéristiques et accessoires* peuvent vous aider à réduire les effets de l'inductance du fil de masse sur vos mesures.

Suggestions pratiques

Les suggestions suivantes vous aideront à effectuer des mesures sans bruit.

Mise à la masse à faible inductance

Vous pouvez réduire la longueur et l'inductance du fil de masse en plaçant une plaque de masse sur le module à tester. Voir Figure 2-3.

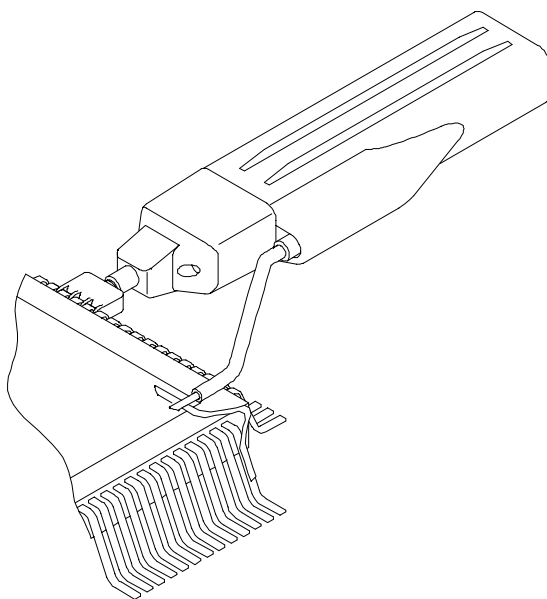


Figure 2-3: Mise à la masse à faible inductance

Fixez une petite plaque de cuivre sur le dessus du module et reliez-le à la connexion de masse du module. Servez-vous du fil de masse à faible inductance fourni avec la sonde P6245 pour n'utiliser qu'une longueur de fil minimum.

Cette méthode est très utile dans le cas de mesures répétées sur le même module. Cette procédure facilite les mesures sur le module et évite une longueur de fil de masse et une distortion inutiles.

Mise à la masse avec l'adaptateur SureFoot™

Si vous ne pouvez pas utiliser la méthode de mise à la masse à faible inductance recommandée ci-dessus, la sonde peut être mise à la masse sur le module à tester à l'aide d'un adaptateur SureFoot. Reportez-vous à la Figure 2-4.

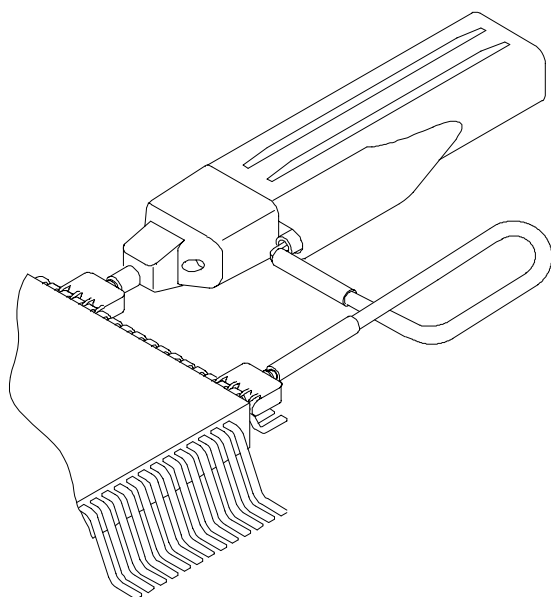


Figure 2-4: Utilisation d'un adaptateur SureFoot pour mise à la masse

Placez un adaptateur SureFoot sur un fil de masse court et connectez-le directement à la prise de masse du module. Cette méthode est préférable à l'utilisation de la prise de masse d'un circuit adjacent car la connexion à la masse est la plus courte possible.

Points de mesure avec embout de sonde

Vous pouvez souder l'embout de sonde amovible ou une broche carrée de 0,025 pouce dans un circuit pour en faire un point de mesure temporaire. Voir Figure 2-5.

Soudez l'embout sur un fil ou une broche à l'aide d'un fer à souder de faible puissance. Appuyez la tête de la sonde sur l'embout pour effectuer la mesure, puis retirez la tête quand vous avez fini.

Vous pouvez enlever l'embout de la sonde et le réutiliser : il suffit de le dessouder et de le ressouder sur un autre circuit.

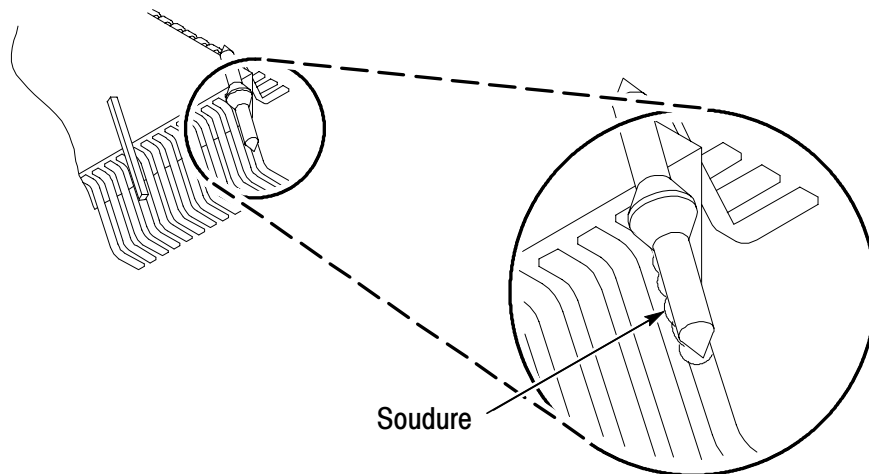


Figure 2-5: Utilisation d'un embout de sonde comme point de mesure

NOTE. *Il n'est pas recommandé d'utiliser des fils en métal dur comme points de mesure. Si le fil se cassait dans la prise de l'embout de sonde, il pourrait s'avérer impossible de l'enlever et cela empêcherait l'utilisation d'autres embouts accessoires.*

Stabilisation de l'embout de sonde

La tête de la sonde P6245 possède une encoche de stabilisation acceptant des broches espacées de 0,100 pouce. Voir le schéma détaillé de la tête de sonde, page 1-3.

Lorsque vous appuyez la sonde sur une broche, une broche adjacente peut s'insérer dans l'encoche de stabilisation de la sonde. Voir Figure 2-6. Ceci évite de forcer inutilement sur l'embout de la sonde ou sur les broches.

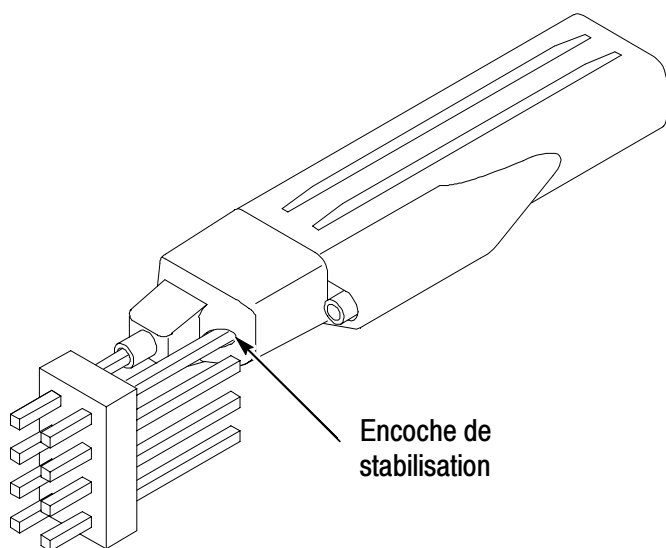


Figure 2-6: Encoche de stabilisation inductance

L'adaptateur signal-masse repose alors sur la broche stabilisée sans risque de bouger.



Caractéristiques techniques

Caractéristiques techniques

Les caractéristiques techniques ci-dessous s'appliquent à la sonde P6245 lorsqu'elle est utilisée avec un oscilloscope TDS 684A.

Respectez un temps de chauffe de 20 minutes pour la sonde et l'oscilloscope avant de procéder aux mesures.



CAUTION. *N'appliquez pas à la sonde des tensions dépassant les limites de tension d'entrée non destructive. Vous pourriez endommager la sonde ou le circuit testé.*

Table 3-1: Caractéristiques électriques garanties

Bande passante analogique (système)	1 GHz
Précision de l'atténuation du courant continu (sonde seulement)	10 pour 1 \pm 2%
Zéro de sortie	\pm 5 mV ou moins à la sortie de la sonde \pm 50 mV ou moins affiché à l'écran avec interface TEKPROBE
Temps de montée (sonde seulement)	267 ps sur oscilloscope \geq 10 GHz

Table 3-2: Caractéristiques électriques typiques

Bande passante analogique (sonde seulement)	1,5 GHz sur oscilloscope \geq 10 GHz (voir Figure 3-1)
Plage dynamique linéaire d'entrée	de -8 V à +8 V. Equivalent à -0,8 V à +0,8 V à la sortie de la sonde
Linéarité	\pm 4% ou moins de la plage dynamique
Plage de tension d'entrée non destructive	de -15 V à +15 V (courant continu + crête alternatif) (voir Figure 3-2)
Résistance d'entrée	1 M Ω en courant continu (voir Figure 3-4)
Capacité d'entrée	\leq 1,0 pF
Plage de décalage	de -10 V à +10 V
Dérive de la tension décalage	100 μ V/°C ou moins à la sortie de la sonde 1 mV/°C ou moins affiché à l'écran avec interface TEKPROBE
Retard	5,3 ns \pm 0,2 ns

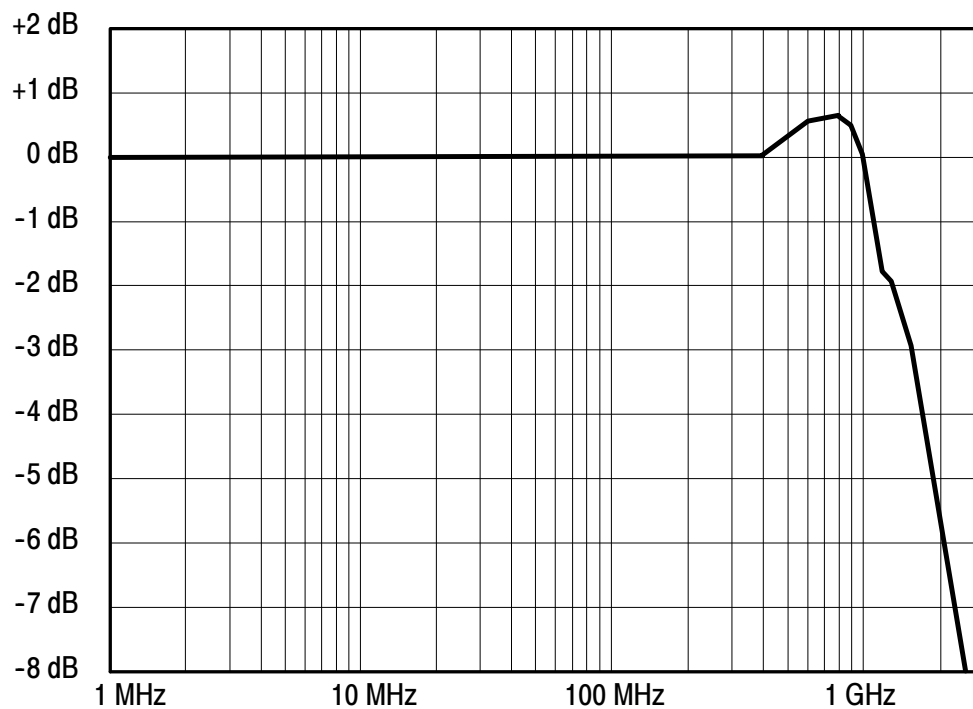


Figure 3-1: Bande passante typique

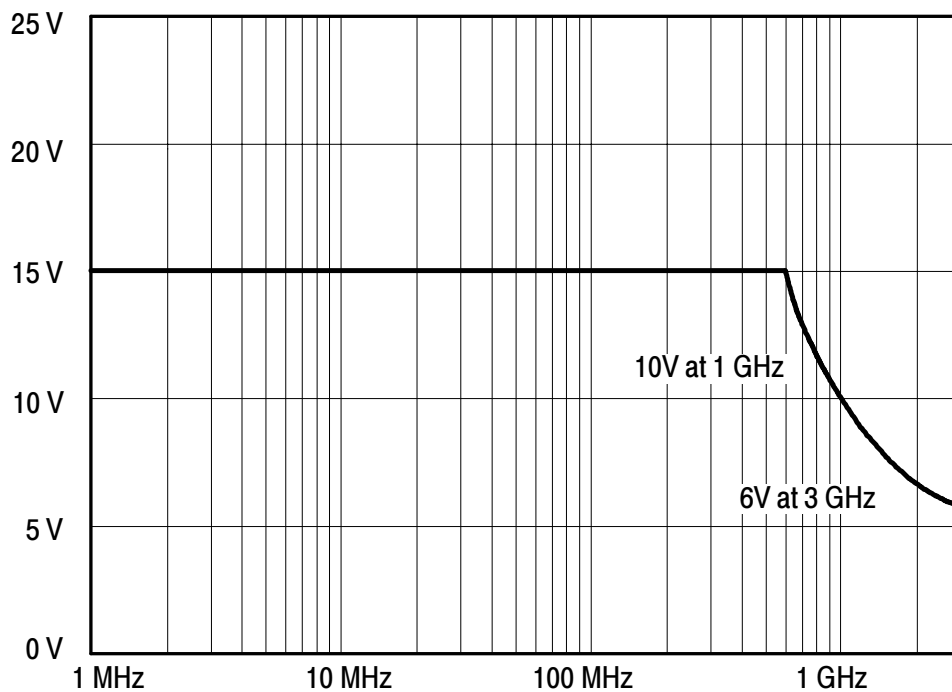


Figure 3-2: Réponse en fréquence typique

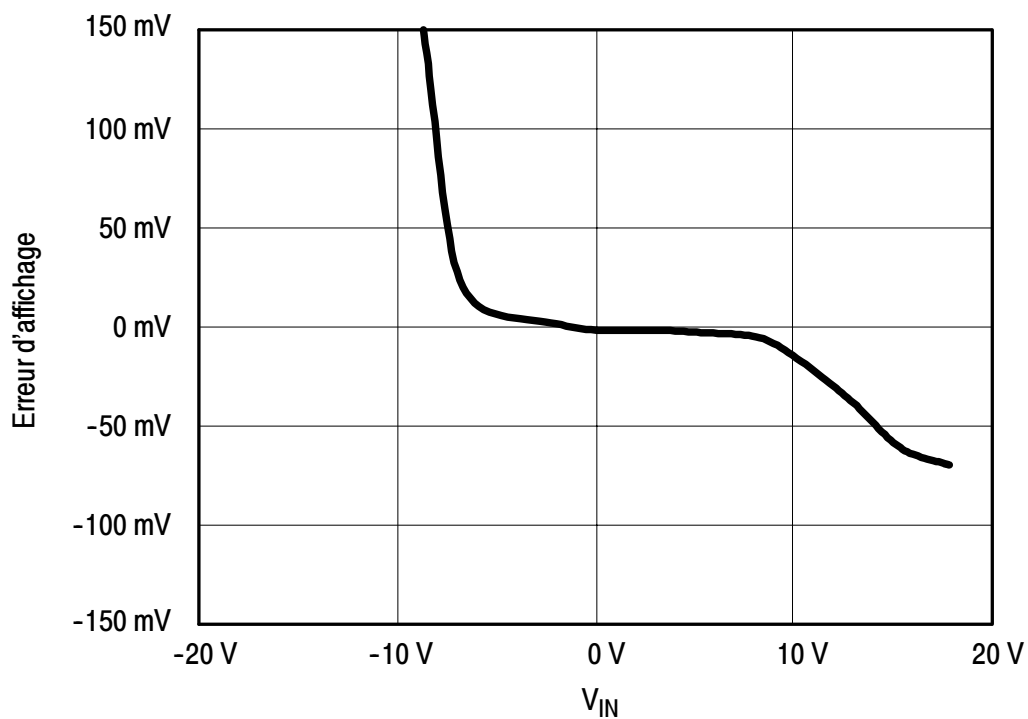


Figure 3-3: Erreur de linéarité typique par rapport à la tension d'entrée

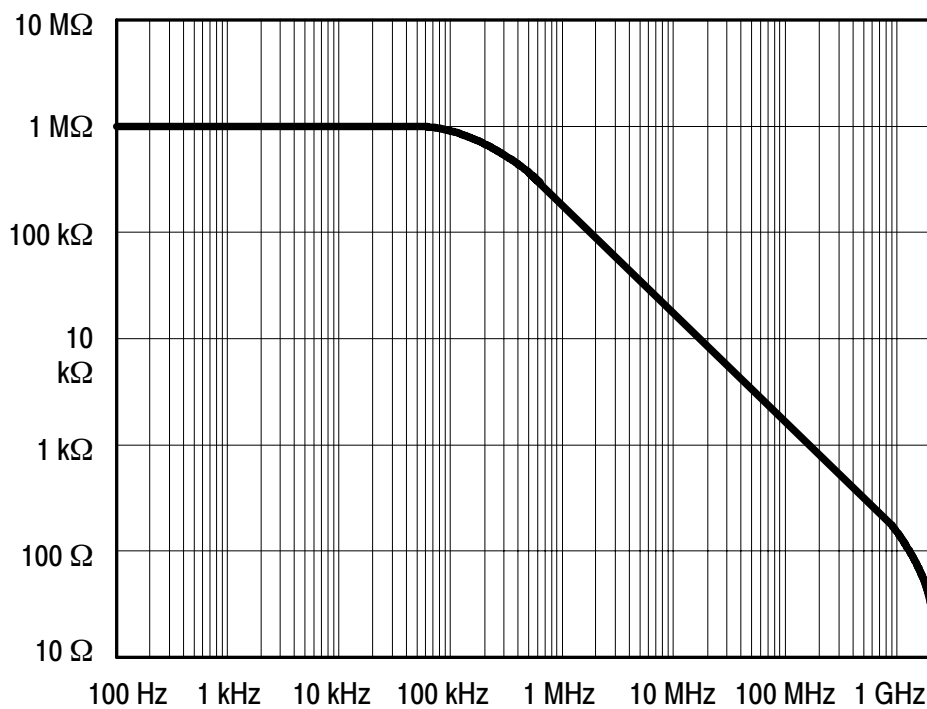


Figure 3-4: Impédance d'entrée typique par rapport à la fréquence

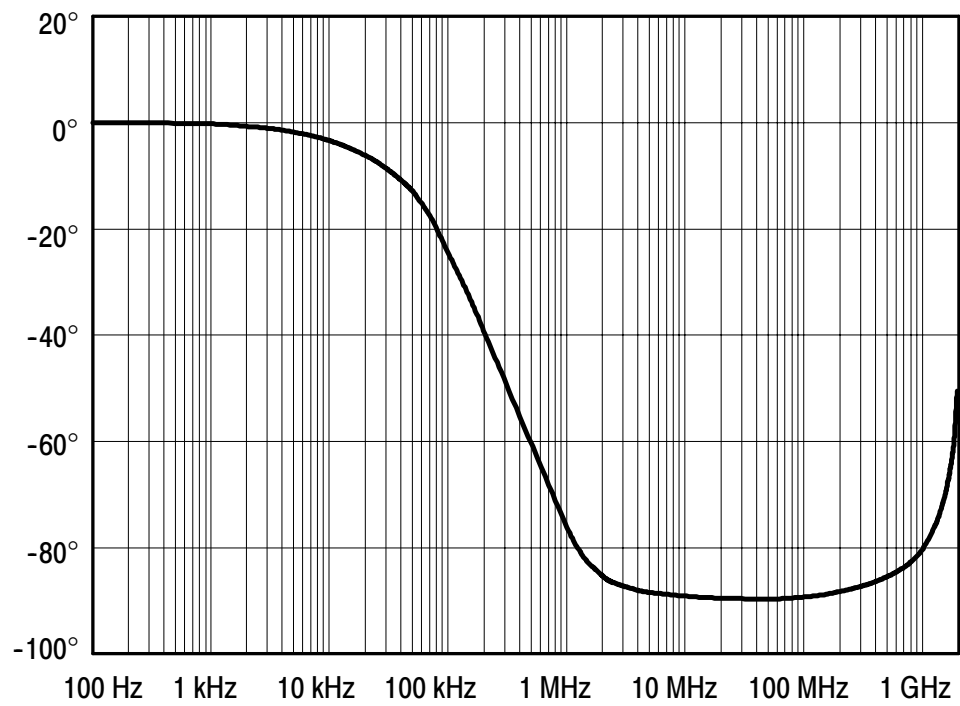


Figure 3-5: Phase typique par rapport à la fréquence

Table 3-3: Caractéristiques physiques

Poids net	63,8 g
Longueur de câble	1,3 mètre

Table 3-4: Caractéristiques d'environnement

Température de fonctionnement	De 0° C à + 50° C. Les conditions ambiantes sont définies par la norme Tektronix Design Standard 062-2847-00 pour le matériel de classe 5.
Température hors fonctionnement	De -40° C à + 71° C. Les conditions ambiantes sont définies par la norme Tektronix Design Standard 062-2847-00 pour le matériel de classe 5.
Humidité	Les conditions ambiantes sont définies par la norme Tektronix Design Standard 062-2847-00 pour le matériel de classe 5.
Vibrations et chocs du produit emballé	Le produit emballé répond aux exigences du << Distribution Cycle 1 Assurance Level II >> pour les produits emballés de 0 à 9,1 kg. Le Test 2 pour empilement (compression) en entrepôt et véhicule est omis. Norme Tektronix 062-2858-00, Rev. B, Classe 5.
Insensibilité électrostatique	CEI 801-2
CEM	CEI 801-3
Altitude maximale	En fonctionnement : 4 570 m Hors fonctionnement : 15 240 m



Deutsch

Benutzerhandbuch

Tektronix

P6245

1,5 GHz 10X Activer Tastkopf

070-8995-04

Copyright© Tektronix, Inc. Alle Rechte vorbehalten.

Tektronix-Produkte sind durch erteilte und angemeldete US- und Auslandspatente geschützt. In dieser Dokumentation enthaltene Informationen ersetzen jene in früheren Veröffentlichungen. Veränderungen bei Preisen und Spezifikationen vorbehalten.

Tektronix, Inc. P.O. Box 500, Beaverton, OR 97077

TEKPROBE, TEKTRONIX, und TEK sind eingetragene Warenzeichen von Tektronix, Inc.

Gewährleistung

Tektronix gewährleistet, daß dieses Produkt für einen Zeitraum von einem (1) Jahr ab Versanddatum frei ist von Sach- und Arbeitsmängeln. Sollte ein solches Produkt sich während dieser Gewährleistungsfrist als defekt erweisen, so wird Tektronix nach eigenem Ermessen entweder das defekte Produkt ohne Teile- und Arbeitskostenbelastung reparieren oder das defekte Produkt durch ein neues ersetzen.

Um die hier gewährleisteten Dienstleistungen zu beanspruchen, muß der Kunde Tektronix vor Ablauf der Gewährleistungsfrist über den Mangel unterrichten und für die Ausführung der Dienstleistung entsprechende Vorkehrungen treffen. Der Kunde ist für Verpackung und Versand des defekten Produkts an das von Tektronix designierte Service Center verantwortlich; Versandkosten sind im voraus zu bezahlen. Tektronix trägt die Kosten der Rücksendung an den Kunden, solange der Versand an einen Ort innerhalb des Landes, in dem sich das Tektronix Service Center befindet, stattfindet. Versandkosten, Zollgebühren, Steuerabgaben und sonstige Kosten, die mit einer Rücksendung an andere Standorte verbunden sind, sind die Verantwortlichkeit des Kunden.

Diese Gewährleistung gilt nicht für durch unsachgemäße Benutzung oder mangelhafte Wartung und Pflege entstandene Defekte, Versagen oder Schäden. Tektronix ist unter dieser Gewährleistung nicht dazu verpflichtet, a) Schäden zu reparieren, die durch Versuche anderer, d.h. nicht von der Firma Tektronix autorisiertem Personal, das Produkt zu installieren, zu reparieren oder zu warten, verursacht wurden; b) Schäden zu reparieren, die durch unsachgemäße Benutzung oder Anschluß an unpassende Geräte verursacht wurden; oder c) Wartungsarbeiten an einem Produkt vorzunehmen, das Modifizierungen oder Integration mit anderen Produkten unterzogen wurde, und solche Modifizierung oder Integration Zeitaufwand oder Schwierigkeitsgrad für die Wartung des Produkts erhöhen.

DIESE GEWÄHRLEISTUNG WIRD VON TEKTRONIX IN BEZUG AUF DIESES PRODUKT UND AN STELLE VON JEDLICHEN ANDEREN AUSDRÜCKLICHEN ODER STILLSCHWEIGENDEN GEWÄHRLEISTUNGEN GEGEBEN. DIE FIRMA TEKTRONIX UND DEREN LIEFERANTEN VERWEIGERN DIE ANERKENNUNG IMPLIZIERTER GEWÄHRLEISTUNGEN FÜR MARKTGÄNGIGKEIT ODER EIGNUNG ZU SPEZIELLEN ZWECKEN. BEI VERSTÖßEN GEGEN DIESE GEWÄHRLEISTUNG IST DIE VERANTWORTLICHKEIT DER FIRMA TEKTRONIX, DEFEKTE PRODUKTE ZU REPARIEREN ODER ZU ERSETZEN, ALLEINIGER UND AUSSCHLISSLICHER IN ANSPRUCH NEHMBARER RECHTSBEHELFE DES KUNDEN. TEKTRONIX UND SEINE LIEFERANTEN HAFTEN NICHT FÜR INDIREKTE, BESONDERE, BEILÄUFIG ENTSTEHENDE ODER MITTELBARE SCHÄDEN, UNABHÄNGIG DAVON, OB DIE FIRMA TEKTRONIX ODER DER LIEFERANT IM VORHINEIN ÜBER DIE MÖGLICHKEIT SOLCHER SCHÄDEN INFORMIERT IST.



Inhalt

Inbetriebnahme

Beschreibung des Geräts	1-1
Standardzubehör	1-1
Kundendienst	1-2
Eigenschaften und Zubehörteile	1-3
Konfiguration	1-9
Tastkopf-Offset	1-9
Funktionstest	1-11

Grundlegendes zum Betrieb

Maximale zerstörungsfreie Eingangsspannung	2-1
Linearer Eingangsdynamikbereich	2-1
Länge der Erdleitung	2-2
Hilfreiche Hinweise	2-5
Niedriginduktionserdung	2-5
SureFoot™-Erdung	2-6
Prüfpunkte für die Tastkopfspitze	2-7
Stabilisierung der Tastkopfspitze	2-8

Spezifikationen

Abbildungen

Figure 1-1: Dynamische und Offsetbegrenzungen	1-10
Figure 1-2: Anschlüsse zum Funktionstest des Tastkopfes ...	1-11
Figure 2-1: Verzerrung des Signals durch Länge der Erdleitung	2-2
Figure 2-2: Äquivalentstromkreis für Erdleiter	2-3
Figure 2-3: Niedriginduktionserdung	2-5
Figure 2-4: Verwendung eines SureFoot-Adapters zur Erdung	2-6
Figure 2-5: Verwendung einer Tastkopfspitze als Prüfpunkt ..	2-7
Figure 2-6: Stabilisierungskerbe an der Tastkopfspitze	2-8
Figure 3-1: Typische Bandbreite	3-3
Figure 3-2: Typische Spannungsabnahme vs. Frequenz	3-3
Figure 3-3: Typischer Linearitätsfehler vs. VEingang	3-4
Figure 3-4: Typische Eingangsimpedanz vs. Frequenz	3-4
Figure 3-5: Typische Phase vs. Frequenz	3-5

Zusammenfassende Sicherheitshinweise

Beachten Sie die nachstehenden Sicherheitsvorkehrungen, um Verletzungen zu vermeiden und Schäden an diesem Produkt und an daran angeschlossenen Produkten zu verhindern.

Wartungsarbeiten sind ausschließlich von qualifiziertem Personal durchzuführen.

Verletzungsverhütung

Elektrische Überbelastung vermeiden

Zur Vermeidung von Feuergefahr oder eines elektrischen Schlags darf niemals eine Spannung an einen Ein- oder Ausgangspunkt angelegt werden, die den für jene Punkte vorgeschriebenen Bereich übersteigt.

Nicht ohne Abdeckungen betreiben

Zur Vermeidung von Feuergefahr oder eines elektrischen Schlags darf dieses Produkt niemals ohne seine Abdeckungen oder die Frontplatte betrieben werden.

Kein Betreiben in feuchter Umgebung

Um Stromschläge zu vermeiden, sollte dieses Gerät nicht in feuchter Umgebung betrieben werden.

Nicht in explosiver Umgebung betreiben

Zur Vermeidung von Verletzungen und Feuergefahr darf dieses Produkt nicht in explosionsgefährdeter Umgebung betrieben werden.

Schadensverhütung

Nicht bei Verdacht auf Geräteschaden betreiben

Bei Verdacht auf Schaden lassen Sie das Produkt von qualifiziertem Wartungspersonal überprüfen.

Vor Flüssigkeiten schützen

Säubern Sie den Tastkopf nur mit einem feuchten Lappen. Beachten Sie die Reinigungshinweise.

Symbole und Bezeichnungen

Bezeichnungen in diesem Handbuch:

Diese Bezeichnungen können im Handbuch vorkommen:



WARNING. bezeichnet Bedingungen oder Handlungsweisen, die Verletzungen oder den Tod zur Folge haben könnten.



CAUTION. bezeichnet Bedingungen oder Handlungsweisen, die Sachschäden an diesem Produkt oder an anderem Eigentum zur Folge haben könnten.

Aufbau des Handbuchs

Informationen für den Benutzer

In diesem Abschnitt sind Informationen enthalten, die zur Installation und zum Gebrauch des P6245 erforderlich sind.

- Inbetriebnahme

In diesem Abschnitt sind die Gerätebeschreibung, die Beschreibung der Zubehörteile, die Konfiguration des Tastkopfes sowie Informationen zur Überprüfung des ordnungsgemäßen Funktionierens des Tastkopfes enthalten.

- Grundlegendes zum Betrieb

In diesem Abschnitt sind grundlegende Informationen und Betriebshinweise zum Erreichen einer optimalen Leistung des Tastkopfes enthalten.

- Spezifikationen

Informationen zur Wartung (nur in englischer Sprache vorhanden)

In diesem Abschnitt sind Informationen enthalten, die zur Wartung und Instandhaltung des P6245 erforderlich sind.

- Betriebstheorie
- Leistungsnachweis
- Anpassungen
- Wartung
- Fehlersuche

Ersatzteilliste (nur in englischer Sprache vorhanden)



Inbetriebnahme

Beschreibung des Geräts

Beim Gerät P6245 von Tektronix handelt es sich um einen 1,5 GHz (gilt nur für Tastkopf), 10X aktiven FET-Tastkopf mit weniger als 1 pF Eingangskapazität. Die niedrige Eingangskapazität des P6245 sowie ein hoher Eingangswiderstand reduzieren die Schaltkreisbelastung über eine weite Bandbreite auf ein Mindestmaß. Das schmale Profil und ein Kopf von geringer Masse machen manuelle Untersuchungen von gedrängten Schaltkreisen leicht und schnell. Zubehörteile wie Spitzen und Adapter ermöglichen den Einsatz des P6245 für eine vielfältige Schaltkreisarchitektur.

Der P6245 wird über eine TEKPROBE-Schnittstelle zwischen der Kompensationsbox des Tastkopfes und dem Oszilloskop mit Strom versorgt. Der P6245 kann auch mit Nicht-TEKPROBE-Oszilloskopen und Geräten verwendet werden, wenn die Stromversorgung des Tastkopfes über das optionelle Tastkopf-Stromversorgungsgerät Tektronix 1103 erfolgt.

Wenn Sie sich mit den weiteren Anwendungsmöglichkeiten des Tastkopfes voll vertraut machen wollen, lesen Sie bitte die Abschnitte *Inbetriebnahme* sowie *Grundlegendes zum Betrieb* in diesem Benutzerhandbuch.

Standardzubehör

Der P6245 wird mit folgenden Standardzubehörteilen geliefert:

- Standard-Tastkopfspitzen
- Mikroschaltungsprüfleiter SMT-KlipChip™
- Y-förmiger Adapter
- Rechtwinkeladapter
- Signal-Erdadapter
- Erdleiter mit einer Länge von 7,6 cm bzw. 15 cm
- Niedriginduktionserdleiter
- Markierungsringe

■ Benutzerhandbuch

Informationen über Teilenummern für Standard- und optionelle Zubehörteile finden Sie im Abschnitt *Ersatzteile* in diesem Handbuch.

Kundendienst

Damit Sie die Leistung Ihres Tastkopfes optimal nutzen können, bietet Tektronix folgenden Kundendienst an:

Technische Unterstützung

Falls Sie sich außerhalb der USA oder Kanadas befinden, wenden Sie sich an Ihre Tektronix-Kundendienstzentrale.

Reparaturdienst

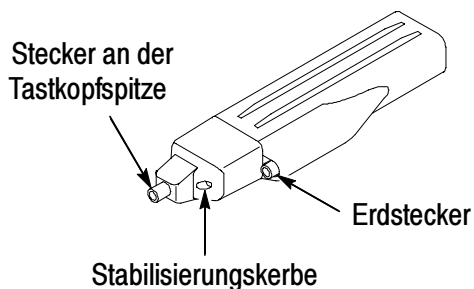
Falls an Ihrem Gerät eine Reparatur auszuführen ist, die Sie nicht mit Hilfe dieses Handbuchs erledigen können, wenden Sie sich an Ihre Tektronix-Kundendienstzentrale.

Verkaufsdienst

Falls Sie sich außerhalb der USA oder Kanadas befinden, wenden Sie sich an Ihre Tektronix-Kundendienstzentrale.

Eigenschaften und Zubehörteile

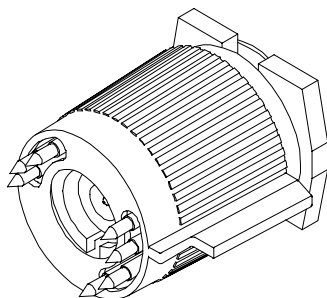
Der P6245 verfügt über verschiedene Eigenschaften und Zubehörteile, die Untersuchungen und Messungen erleichtern sollen. Im folgenden werden Sie mit den einzelnen Teilen und deren Anwendungsmöglichkeiten vertraut gemacht.



Tastkopf. Die Gestaltung des Tastkopfes soll eine problemlose und leistungsfähige Anwendung ermöglichen. Seine geringe Größe macht die Anwendung auch bei wenig verfügbarem Platz möglich.

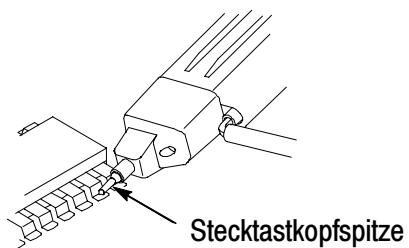
Der Stecker an der Tastkopfspitze ist so gestaltet, daß 0,025-Inch-Stifte direkt angepaßt werden können. Der Erdstecker ist mit einem kurzen Erdpfad für High-Fidelity-Erdverbindungen ausgestattet.

Die Stabilisierungskerbe gestattet es, benachbarte Stifte zur Reduzierung der Belastungen von Tastkopf und Stiften zu verwenden. Weitere Informationen finden Sie auf den Seiten 1-7 sowie 2-8.



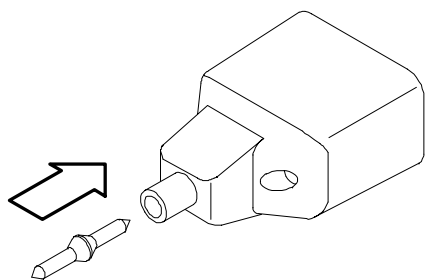
TEKPROBE™ - Schnittstelle. Die TEKPROBE-Schnittstelle wird als Kommunikationspfad zwischen Tastkopf und Oszilloskop verwendet. Kontaktstifte ermöglichen die Übertragung von Strom, Signalen, Offset sowie von für den Tastkopf charakteristischen Daten. Weitere Informationen finden Sie auf der Seite 4-2.

Falls Ihr Oszilloskop die TEKPROBE-Schnittstelle nicht unterstützt, können Sie auch das wahlweise Tastkopf-Stromversorgungsgerät Tektronix 1103 als effektive Schnittstelle verwenden. Zwecks weiterer Informationen wenden Sie sich an Ihre Tektronix-Vertretung.

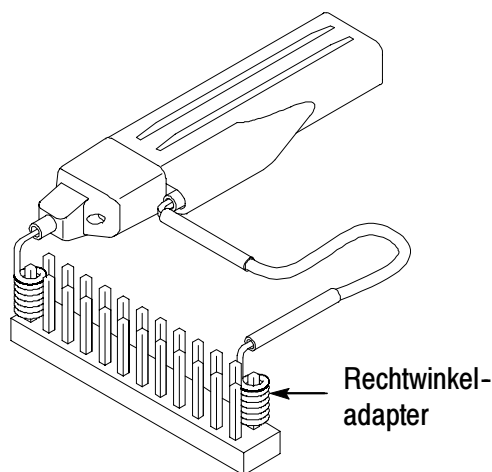


Steckastkopfspitze. Verwenden Sie die Steckastkopfspitze für allgemeine manuelle Untersuchungen. Die Spitze kann auch als zeitweiliger Prüfpunkt verwendet werden. Weitere Informationen finden Sie auf Seite 2-7.

Die Steckastkopfspitze kann auch in Verbindung mit den anderen Leitern und Adaptern verwendet werden.



Installation der Steckastkopfspitze. Zum Anbringen der Steckastkopfspitze wird die Spitze an den Tastkopfspitzenstecker angepaßt und danach fest angedrückt, bis sie einrastet. Beide Spitzenenden können verwendet werden. *Wenden Sie keine Gewalt an.* Achten Sie auch darauf, daß Sie sich mit der scharfen Tastkopfspitze nicht stechen. Zum Entfernen der Spitze verwenden Sie eine kleine Zange, mit der Sie die Spitze *langsam* herausziehen.

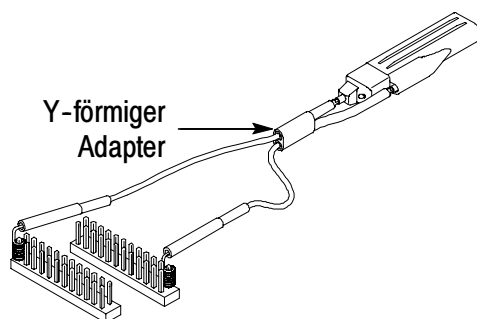


Rechtwinkeladapter. Verwenden Sie den Rechtwinkeladapter für Niedrigprofiluntersuchungen von Vierkantstiften mit einem Durchmesser von 0,025 Inch.

Durch den Rechtwinkeladapter kann der P6245 flach auf der Schaltplatte liegen, wodurch Untersuchungen in vertikalen Schaltkreisen wie z.B. in Computer- oder DFV-Rückwandplatten oder in sehr engen Bereichen wie z.B. zwischen Einsteckkarten ermöglicht werden.

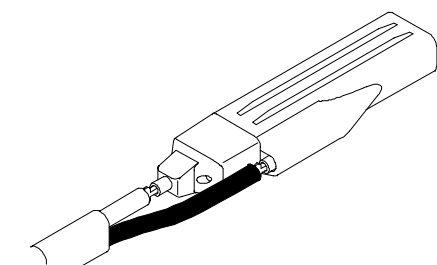
Der Rechtwinkeladapter kann entweder direkt mit dem Tastkopf oder zusammen mit dem Adapter für den Y-Leiter bzw. den Erdleitern verwendet werden.

Der Rechtwinkeladapter wird wie die Steckstiftspitze angebracht; er kann leicht per Hand entfernt werden.

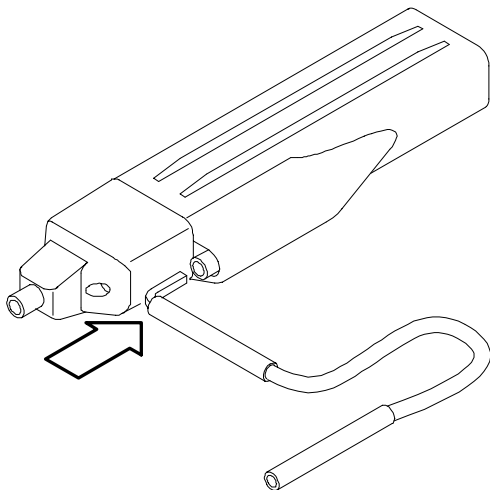


Y-förmiger Adapter. Verwenden Sie den Y-förmigen Adapter zur notwendigen Erweiterung der Reichweite des Tastkopfes und der Erdung. Der Y-förmige Adapter nimmt jede Tastkopfspitze und jeden Adapter auf. Er kann direkt auf die 0,025-Inch-Stifte gedrückt werden.

Bei der Auswahl der Erdverbindung ist zu beachten, daß der Erdweg so kurz wie möglich ist. Weitere Informationen finden Sie auf Seite 2-1.



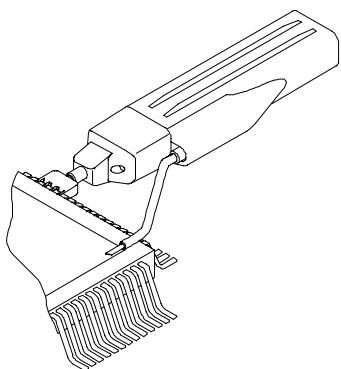
Zum Anbringen des Y-förmigen Adapters werden die Leiterstifte langsam in die Tastkopfspitze und die Erdstecker gedrückt. Es wird empfohlen, den schwarzen Leiter zur Erdung zu verwenden.



Erdleiter mit einer Länge von 7,6 cm bzw. 15 cm. Verwenden Sie die Erdleiter mit einer Länge von 7,6 cm bzw. 15 cm für allgemeine Untersuchungen. Die mit Steckern versehenen Enden der Leiter können mit jeder Tastkopfspitze und jedem Adapter verbunden oder an die 0,025-Inch-Stifte angepaßt werden.

Zum Anbringen der Erdleiter drücken und drehen Sie die Leiterstiftsteckverbindung in den Erdstecker am Tastkopf. Der Leiter kann durch Herausziehen per Hand wieder entfernt werden.

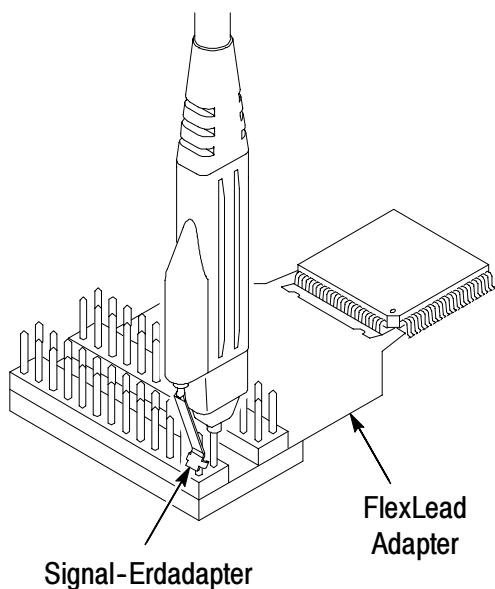
Bei der Auswahl der Erdverbindung ist zu beachten, daß der Erdweg so kurz wie möglich ist. Weitere Informationen finden Sie auf Seite 2-1.



Niedriginduktionserdleiter. Verwenden Sie den Niedriginduktionserdleiter, um die Induktion der Erdleiter bedeutend zu verringern. Da der Erdleiter einfach Masse berührt, kann man den Tastkopf leicht an verschiedene Punkte auf dem zu prüfenden Gerät bringen.

Zum Anbringen drücken Sie den Erdleiter in den Erdstecker am Tastkopf.

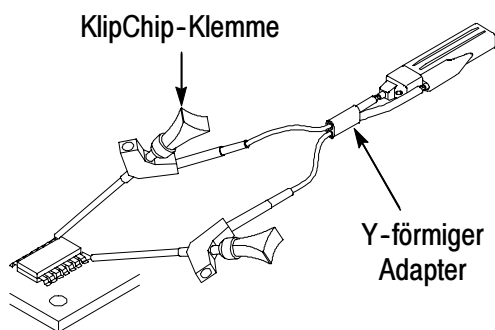
Bei der Auswahl der Erdverbindung ist zu beachten, daß der Erdweg so kurz wie möglich ist. Weitere Informationen finden Sie auf Seite 2-1.



Signal-Erdadapter. Der Signal-Erdadapter ist zur Verwendung mit Signal-/Erdpaaren auf 0,100-Verteilerstiften (wie z.B. FlexLead™-Adapter) besonders geeignet.

Zum Anbringen des Signal-Erdadapters drücken Sie ihn langsam in den Erdstecker am Tastkopf.

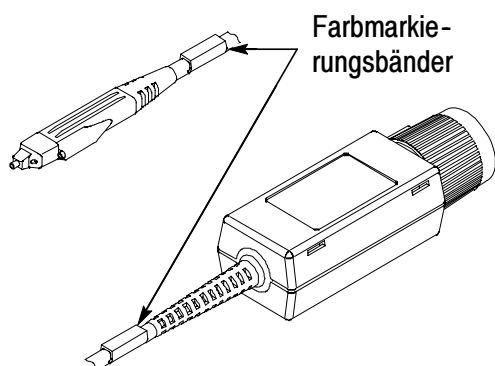
Wenn möglich, verwenden Sie die Stabilisierungskerbe. Weitere Details finden Sie auf Seite 2-8.



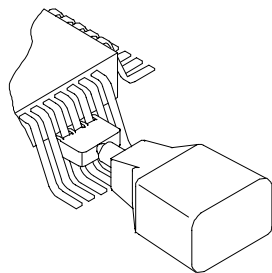
SMT-KlipChip™ - Klemme. Verwenden Sie SMT-KlipChip-Prüfklemmen, wenn Sie leicht zerbrechliche und enge Schaltkreisanordnungen erreichen wollen.

Die KlipChip-Prüfklemmen können mit dem Y-Leiter oder Erdleitern von 7,6 cm bzw. 15 cm Länge verbunden werden. Drücken Sie einfach den Leiterstecker in den KlipChip-Griff.

Die KlipChip-Klemme kann leicht gedreht werden, so daß eine bessere Tastkopfausrichtung ermöglicht wird. Um die Belastung zu verringern sowie ein flacheres Profil auf zu prüfenden Teilen bereitzustellen, kann der flexible Schaft der KlipChip-Klemmen in einem Winkel bis zu 35 Grad gebogen werden.

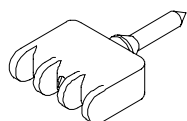


Farbmarkierungsbänder. Bringen Sie paarweise gleiche Farbmarkierungsbänder am Kabel, welches sich am Kopf befindet, sowie an den Kompensationsboxen jedes einzelnen Tastkopfes an. Die Farbmarkierungsbänder ermöglichen einen schnellen Überblick darüber, welcher Tastkopf mit welchem Gerätekanal verbunden ist.

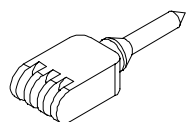


SureFoot™ - Tastkopfspitze (wahlweise).

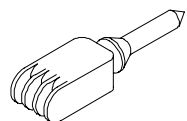
Bei der SureFoot-Spitze handelt es sich um eine eingebaute Tastkopfspitze und Miniaturführung, die fehlerfreie Untersuchungen von feingliedrigen SMD-Gehäusen ermöglicht. Die SureFoot-Adapter werden wie die Steckkopfspitzen angebracht. Sie können mit jedem Leiter verwendet werden, der mit einem Stecker ausgerüstet ist.



Die gelbe 0,050-Inch-SureFoot-Spitze ist mit 50-Milli-Inch-JEDEC-Gehäusen wie SOIC, PLCC, CLCC usw. kompatibel.



Die blaue 0,025-Inch-SureFoot-Spitze ist mit 0,65-mm-JEDEC- und EIAJ-Gehäusen kompatibel.



Die rote 0,5-mm-SureFoot-Spitze ist mit EIAJ-Gehäusen kompatibel.

Konfiguration

Der P6245 liefert dem Oszilloskop die Typnummer des Tastkopfes, die Seriennummer sowie den Abschwächungsfaktor. Beim Anschluß an ein TEKPROBE-Oszilloskop werden die Anzeigedaten entsprechend dem Tastkopf-Abschwächungsfaktor korrigiert, der Geräteeingang wird auf 50 Ω und die Kopplung auf Gleichstrom gestellt.



CAUTION. *Installieren Sie den P6245 nicht auf einem Nicht-TEKPROBE-Anschluß, da dadurch Schaden am Tastkopf und Anschluß entstehen kann. Falls Ihr Oszilloskop die TEKPROBE-Schnittstelle nicht unterstützt, verwenden Sie das wahlweise Tastkopf-Stromversorgungsgerät Tektronix 1103.*

Falls der P6245 mit Tastkopf-Stromversorgungsgerät Tektronix 1103 verwendet wird, vergewissern Sie sich, daß ein 50- Ω -Anschluß am Oszilloskop zur Verfügung steht. Des weiteren stellen Sie die Kanalkopplung am Oszilloskop auf Gleichstrom.

Die Tastkopf-Offsetsteuerung erfolgt vom Oszilloskop aus. Falls das verwendete Oszilloskop die TEKPROBE-Schnittstelle nicht unterstützt, kann die Offsetsteuerung am Stromversorgungsgerät Tektronix 1103 verwendet werden.

Tastkopf-Offset

Der Tastkopf-Offset ist anpaßbar, damit eine Funktionsfähigkeit innerhalb des linearen Bereichs des Tastkopfes gewährleistet ist. Wenn mit dem Offset Gleichstromsignalkomponenten gelöscht werden, wird eine maximale Tastkopfleistung ermöglicht. Siehe Abbildung 1-1 auf Seite 1-10.

NOTE. *Spezielle Anleitungen zur Funktionsfähigkeit und Offsetsteuerung finden Sie im Handbuch für das Oszilloskop.*

Einstellen des Tastkopf-Offset:

1. Kopplung des Oszilloskops auf Masse stellen.
2. Mit der vertikalen Positionssteuerung eine Nullreferenz auf der Oszilloskopanzeige einstellen.
3. Kopplung des Oszilloskops auf Gleichstrom und 5 V/Div. stellen.
4. Tastkopf am Schaltkreis anbringen.
5. Tastkopf-Offset so justieren, daß die Meßkurve mit der Nullreferenz des Oszilloskops übereinstimmt.
6. Volt/Div.-Einstellung auf den gewünschten Bereich verändern und den Offset so einstellen, daß die Meßkurve auf der Nullreferenzstufe bleibt.

NOTE. Der P6245 hat einen Offsetbereich von ± 10 V. Der lineare Arbeitsbereich beträgt ± 8 V. Siehe Abbildung 1-1. Weitere Informationen finden Sie auf Seite 2-1.

Wenn am TEKPROBE-Oszilloskop Cursors verwendet werden, hat die Nullreferenz den Wert der Offsetspannung des Tastkopfes.

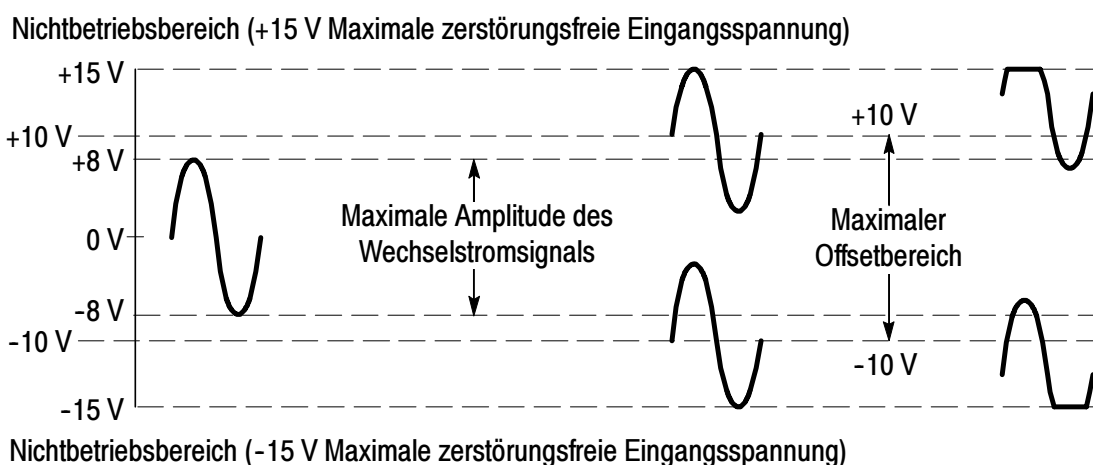


Figure 1-1: Dynamische und Offsetbegrenzungen

Funktionstest

Nach der Installation des Tastkopfes am Oszilloskop kann mittels des Anschlusses **PROBE COMPENSATION** an der Frontplatte des Oszilloskops ein Funktionstest durchgeführt werden. Siehe Abbildung 1-2.

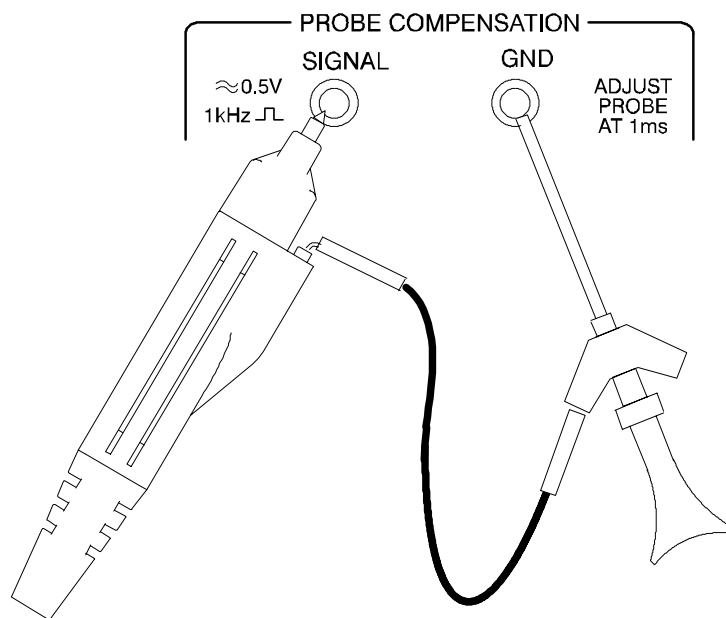


Figure 1-2: Anschlüsse zum Funktionstest des Tastkopfes

1. Tastkopf an das Oszilloskop anschließen.
2. Oszilloskop so einstellen, daß der Kanal des Tastkopfes angezeigt wird.
3. Mittels einer Erdleitung und einer SMT-KlipChip-Klemme die Masse des Tastkopfes an den PROBE COMPENSATION-Erdanschluß des Oszilloskops anschließen.
4. Mittels einer Standardspitze den Tastkopf an den SIGNAL-Ausgang des Oszilloskops halten.

5. Zur Anzeige des Kalibrationssignals **AUTOSET** drücken (oder Oszilloskop justieren).

NOTE. Falls Ihr Gerät Kalibrationsroutinen des Tastkopfes unterstützt, führen Sie diese jetzt aus.

6. Tastkopf vom SIGNAL-Ausgang entfernen und Tastkopfspitze erden. (KlipChip-Klemme an die Tastkopfspitze anschließen.)
7. Bei einem auf 0,0 gestellten Tastkopf-Offset müßte die Oszilloskopanzeige jetzt auf Erdreferenz stehen.
8. Volt/Div. des Oszilloskops auf 5 V stellen.
9. Tastkopf-Offset justieren. Das angezeigte Signal sollte zwischen ca. + 10 und - 10 V variieren. (Ein Offset von + 10 V zeigt an Ihrem Gerät eine Stufe von - 10 V an.)

NOTE. Falls kein Signal angezeigt wird, vergewissern Sie sich, daß die vertikale Kopplung auf Gleichstrom gestellt ist.

Falls die Offsetanpassung keine Wirkung zeigt, stellen Sie die vertikale Kopplung auf Gleichstrom.

Falls Sie das Tastkopf-Stromversorgungsgerät Tektronix 1103 verwenden und das Signal verzerrt ist, vergewissern Sie sich, daß der Eingangswiderstand des Oszilloskops 50 Ω beträgt.

Falls der Funktionstest für den Tastkopf nicht erfolgreich verläuft, informieren Sie sich im Abschnitt Fehlersuche in diesem Handbuch über mögliche Ursachen.



Grundlegendes zum Betrieb

Grundlegendes zum Betrieb

Um eine optimale Leistung Ihres Tastkopfes P6245 zu erreichen, folgen Sie den nachstehenden Bedienungsrichtlinien.

Maximale zerstörungsfreie Eingangsspannung

Der P6245 ist elektrisch gegen statische Spannung geschützt. Dennoch kann es durch Anlegen von Spannungen über den vorgegebenen Werten zur Zerstörung der Verstärker an der Tastkopfspitze kommen. Informieren Sie sich im Abschnitt *Spezifikationen* in diesem Handbuch über maximale Betriebsspannung und Frequenzunterlastung.

Linearer Eingangsdynamikbereich

Der vom P6245 verwendete Verstärker am vorderen Tastkopfende hat einen begrenzten linearen Arbeitsbereich. Damit der Eingangslinienaritätsfehler niedriger als 4 % bleibt, muß die Signaleingangsspannung auf ± 8 V (einschließlich jedes Gleichstromoffsets) begrenzt werden.

Verwenden Sie die Gleichstromoffsetanpassung, damit der Tastkopf innerhalb seines Dynamikbereichs verbleibt. Der Nennbereich der Offsetanpassung des P6245 beträgt ± 10 V Gleichstrom. Zum Beispiel: Zum Versetzen von + 5 V Gleichstrom in einem Stromkreis stellt man den Offset auf + 5 V.

Länge der Erdleitung

Zur Untersuchung eines Schaltkreises sollte immer eine Erdleitung verwendet werden, die zwischen Tastkopf und Schaltkreiserdung so kurz wie möglich ist.

Die Serieninduktion, die durch die Tastkopfspitze und die Erdleitung hinzukommt, kann zu einem Resonanzkreis führen, der parasitäres

”Rauschen” innerhalb der Bandbreite Ihres Oszilloskops verursachen kann. Siehe Abbildung 2-1.

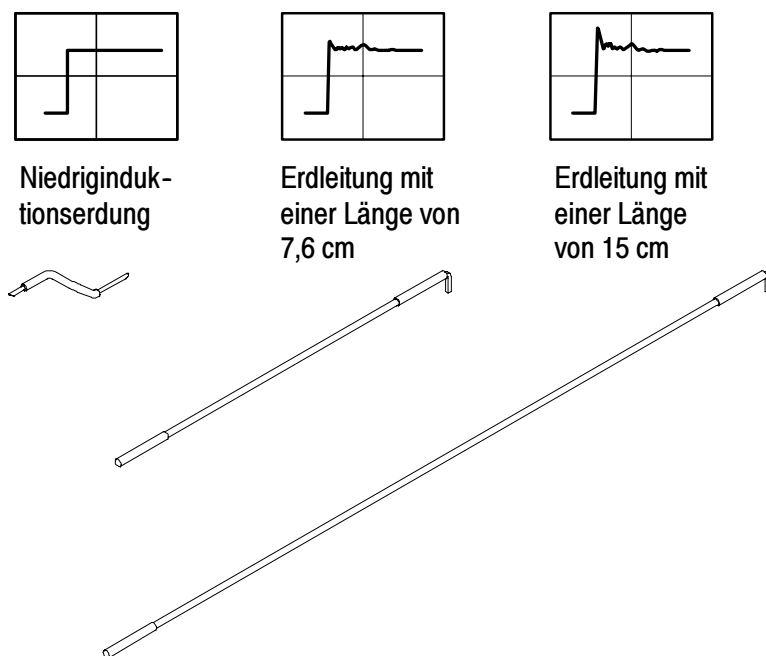


Figure 2-1: Verzerrung des Signals durch Länge der Erdleitung

Induktion der Erdleitung

Wenn Sie die Tastkopfspitze an ein Stromkreiselement anlegen, bringen Sie einen neuen Widerstand, eine neue Kapazität sowie Induktion in den Stromkreis ein. Siehe Abbildung 2-2.

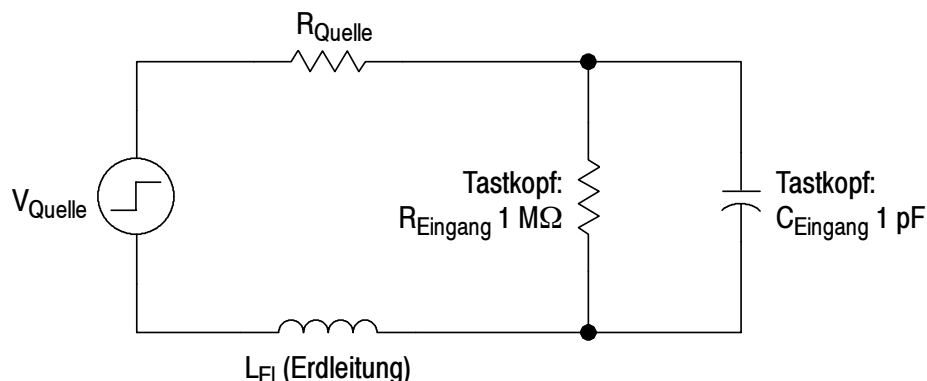


Figure 2-2: Äquivalentstromkreis für Erdleiter

Rausch- und Anstiegszeitfehler können abgedeckt werden, wenn sich die Frequenzkomponenten des Signals außerhalb der Bandbreite des Oszilloskops befindet.

Wenn Sie die Selbstinduktion (L) und Kapazität (C) Ihres Tastkopfes und der Erdleitung kennen, können Sie bestimmen, ob Erdleitungseffekte möglicherweise ein Problem für Ihren Anwendungsbereich darstellen. Berechnen Sie die ungefähre Resonanzfrequenz (f_0), bei der dieser parasitäre Stromkreis in Resonanz kommen wird, nach der folgenden Formel:

$$f_0 = \frac{1}{2\pi \sqrt{LC}}$$

Aus der Gleichung wird ersichtlich, daß durch Reduzierung der Erdleitungsinduktion die Resonanzfrequenz steigt. Falls Ihre Messungen durch Rauschen beeinflusst werden, muß Ihr Ziel darin bestehen, die Induktion des Erdpfades soweit zu reduzieren, bis die sich ergebende Resonanzfrequenz weit höher ist als die Frequenz Ihrer Messungen.

Die Beschreibung von Erdkontakten mit niedriger Induktion im Abschnitt *Zubehörteile* kann bei der Reduzierung der Auswirkungen der Erdleitungsinduktion auf Ihre Messungen hilfreich sein.

Hilfreiche Hinweise

Befolgen Sie die nachstehenden Hinweise, um Ihre Untersuchungen einfacher und rauschfrei zu gestalten.

Niedriginduktionserdung

Sie können Erdleiterlänge und -induktion verringern, wenn Sie eine Erdfläche direkt auf das zu untersuchende Gehäuse legen. Siehe Abbildung 2-3.

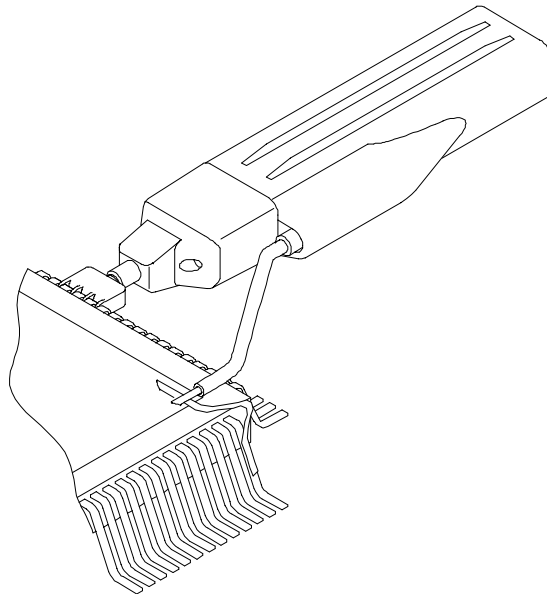


Figure 2-3: Niedriginduktionserdung

Bringen Sie ein kleines Stück Kupferblech auf dem Gehäuse an, und verbinden Sie es mit dem Erdanschluß des Gehäuses. Verwenden Sie die mit dem P6245 gelieferte Niedriginduktionserdleitung, um die Erdleiterlänge so kurz wie möglich zu halten.

Diese Methode erweist sich als besonders nützlich, wenn mehrere Messungen am selben Gehäuse ausgeführt werden. Durch Verwen-

dung einer Erdfläche auf dem Gehäuse wird die Untersuchung einfacher, und es werden unnötige Erdleiterlängen und Verzerrungen vermieden.

SureFoot™ - Erdung

Falls die vorstehend empfohlene Methode zur Niedriginduktionserdung nicht angewendet werden kann, kann der Tastkopf mittels SureFoot-Adapter auf dem zu prüfenden Gehäuse geerdet werden. Siehe Abbildung 2-4.

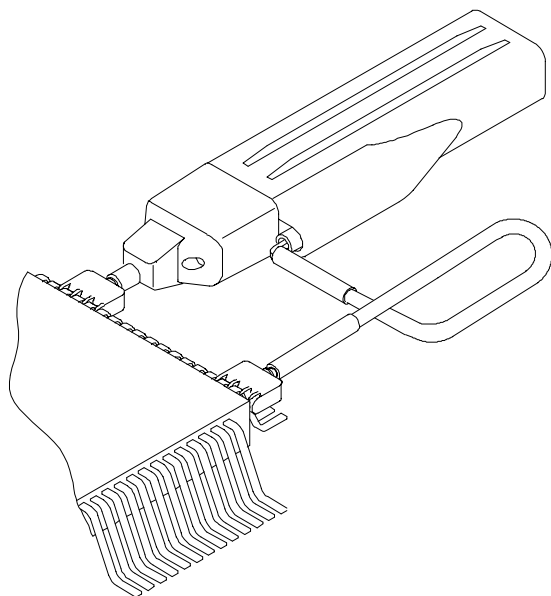


Figure 2-4: Verwendung eines SureFoot-Adapters zur Erdung

Verwenden Sie einen SureFoot-Adapter am Ende eines kurzen Erdleiters zur Direktverbindung mit einer Gehäuseerdung. Diese Methode wird der Verwendung einer benachbarten Schaltungserdung vorgezogen, weil sie den kürzestmöglichen Erdfad gestattet.

Prüfpunkte für die Tastkopfspitze

Die Stecktastkopfspitze oder ein 0,025-Vierkantstift kann in einen Schaltkreis gelötet werden, der als zeitweiliger Prüfpunkt verwendet werden soll. Vergleiche Abbildung 2-5.

Mit einem NiederleistungslötKolben löten Sie die Spitze auf einen Leiter oder Stift. Wenn Sie eine Messung vornehmen wollen, pressen Sie den Tastkopf auf die Spitze; wenn Sie fertig sind, ziehen Sie den Tastkopf wieder ab.

Die Tastkopfspitze kann entfernt und wiederverwendet werden, wenn sie zunächst vom Schaltkreis abgelötet und später an einen anderen Schaltkreis angelötet wird.

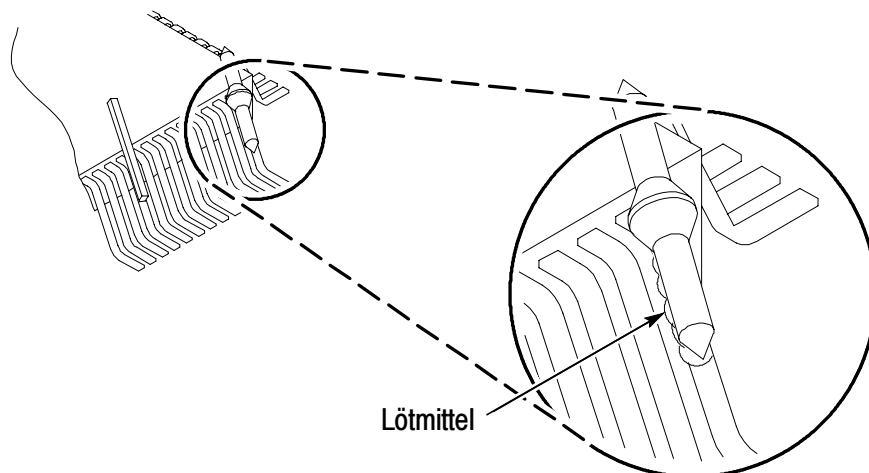


Figure 2-5: Verwendung einer Tastkopfspitze als Prüfpunkt

NOTE. Stücke aus Vollkernkupferdraht werden nicht als Prüfpunkte empfohlen. Wenn der Draht im Stecker der Tastkopfspitze abbricht, kann es entweder unmöglich werden, ihn zu entfernen, oder andere Zubehörspitzen können blockiert werden.

Stabilisierung der Tastkopfspitze

Der P6245-Tastkopf verfügt über eine Stabilisierungskerbe, die zum Gebrauch mit Verteilerstiften im Abstand von 0,100 Inch vorgesehen ist. Siehe detaillierte Darstellung des Tastkopfes auf Seite 1-3.

Wenn der Tastkopf auf einen Verteilerstift gepreßt wird, kann ein benachbarter Stift in die Stabilisierungskerbe eingesetzt werden. Siehe Abbildung 2-6. Dadurch wird vermieden, daß unnötige Kraft direkt auf die Tastkopfspitze oder die Stifte angewendet wird.

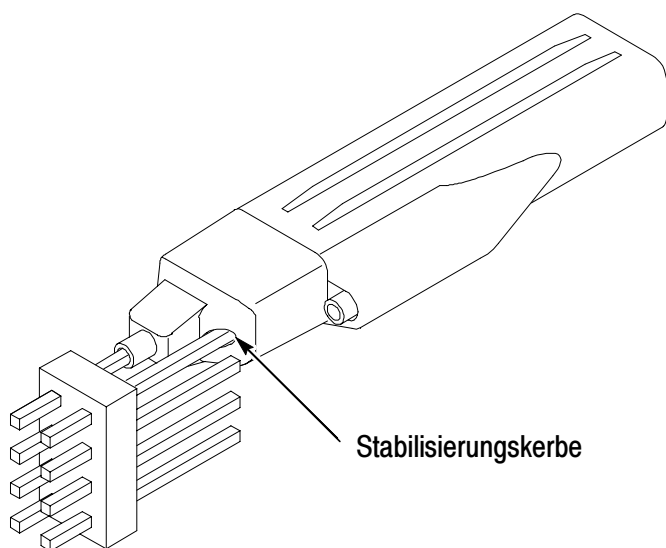


Figure 2-6: Stabilisierungskerbe an der Tastkopfspitze

Der Signal-Erdadapter ruht dann auf dem stabilisierten Stift, ohne die Gefahr des Verrutschens.



Spezifikationen

Spezifikationen

Die folgenden Spezifikationen für den P6245 sind für die Verwendung mit einem TDS 684A-Oszilloskop zutreffend.

Messungen können erst nach 20 Minuten Aufwärmzeit von Tastkopf und Gerät vorgenommen werden.



CAUTION. *Legen Sie an den Tastkopf keine Spannungen an, die außerhalb des zerstörungsfreien Eingangsspannungsbereichs liegen, da dadurch die Gefahr von Schaden am Tastkopf sowie am zu prüfenden Schaltkreis besteht.*

Table 3-1: Garantierte elektrische Spezifikationen

Analogbandbreite (System)	1 GHz
Gleichstrom-Abschwächungsgenauigkeit (nur für Tastkopf)	10:1 \pm 2%
Null-Ausgangsspannung	\pm 5 mV oder weniger am Tastkopfausgang \pm 50 mV oder weniger angezeigt auf dem Bildschirm mit TEKPROBE-Schnittstelle
Anstiegszeit (nur für Tastkopf)	267 ps auf w 10 GHz-Oszilloskop

Table 3-2: Typische elektrische Eigenschaften

Analogbandbreite (nur für Tastkopf)	1,5 GHz auf ≥ 10 GHz-Oszilloskop (Siehe Abbildung 3-1.)
Linearer Eingangsdynamikbereich	-8 V bis +8 V. (Entspricht -0,8 V bis +0,8 V am Tastkopfausgang.)
Linearität	$\pm 4\%$ oder weniger des Dynamikbereichs
Zerstörungsfreier Eingangsspannungsbereich	-15 V bis +15 V (Gleichstrom und Wechselstromspitze) (Siehe Abbildung 3-2.)
Eingangswiderstand	1 M Ω bei Gleichstrom. (Siehe Abbildung 3-4.)
Eingangskapazität	$\leq 1,0$ pF
Offsetbereich	-10 V bis +10 V
Gleichstrom-Offsetdrift	100 $\mu\text{V}/^\circ\text{C}$ oder weniger am Tastkopfausgang 1 mV/ $^\circ\text{C}$ oder weniger angezeigt auf dem Bildschirm mit TEKPROBE-Schnittstelle
Verzögerungszeit	5,3 ns $\pm 0,2$ ns

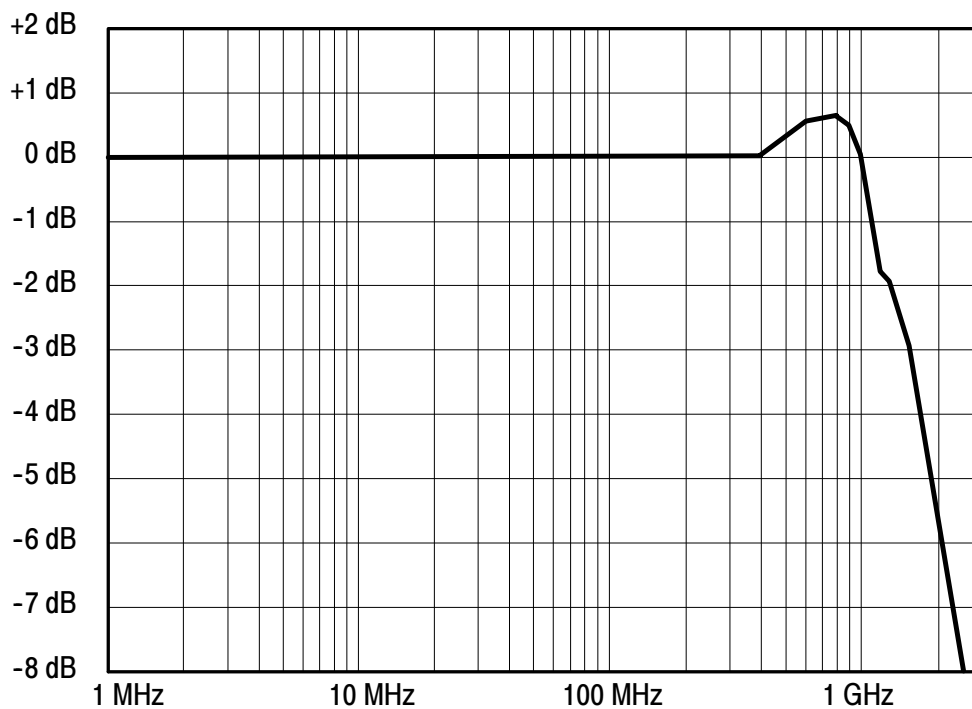


Figure 3-1: Typische Bandbreite

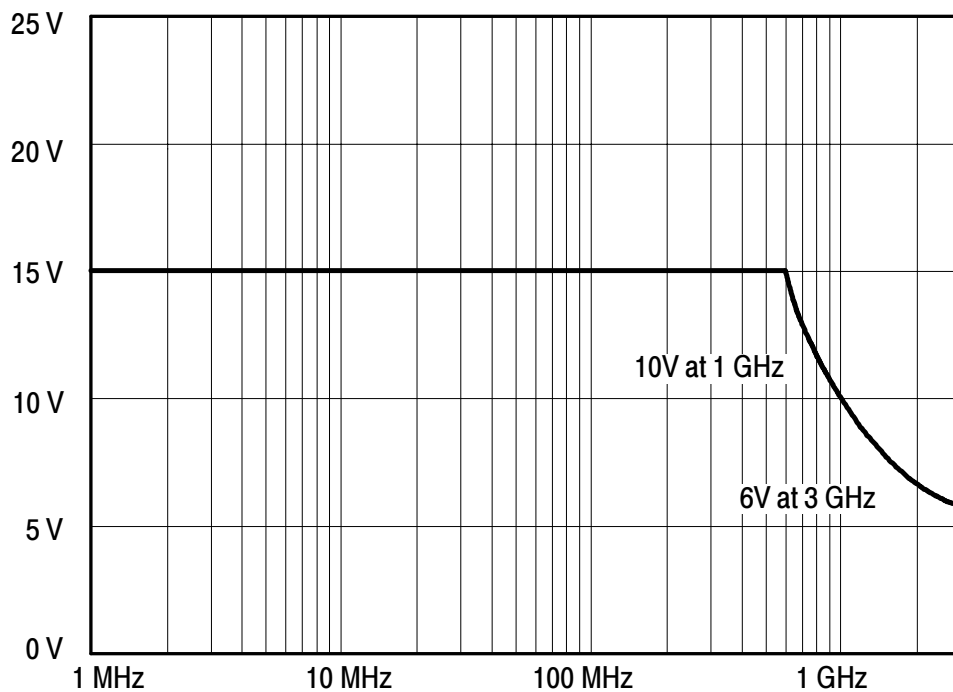


Figure 3-2: Typische Spannungsabnahme vs. Frequenz

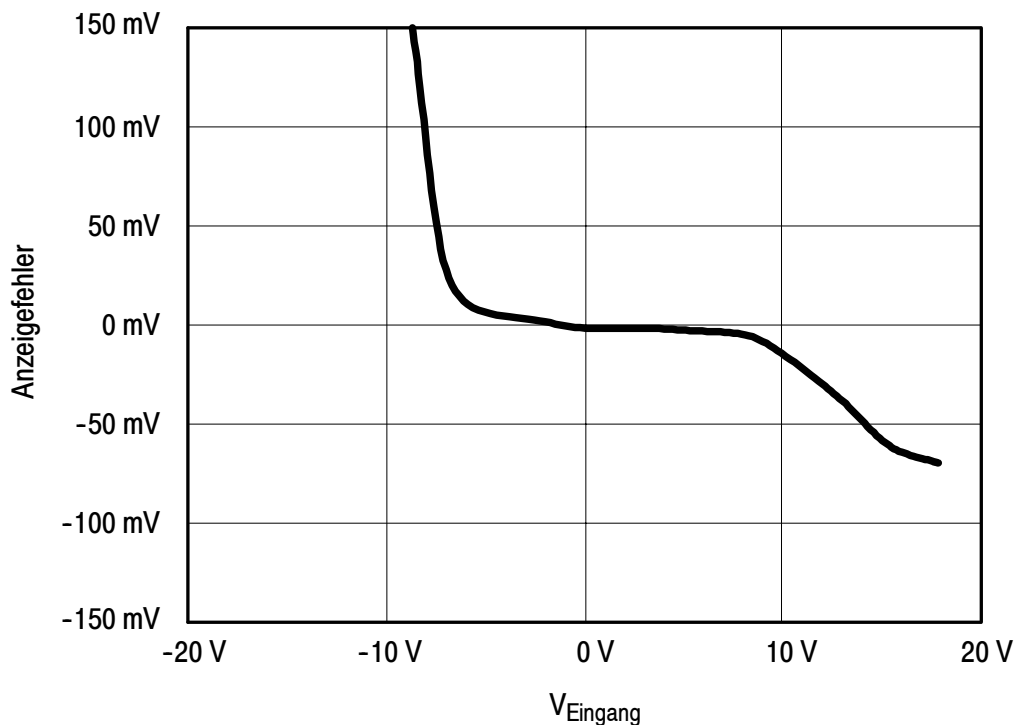


Figure 3-3: Typischer Linearitätsfehler vs. V_{Eingang}

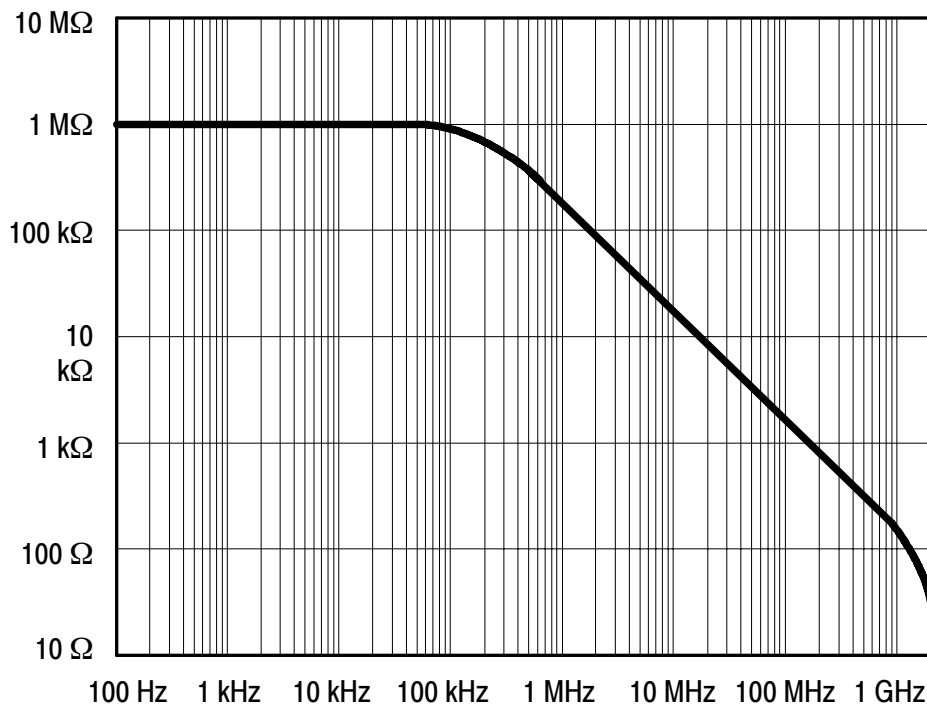


Figure 3-4: Typische Eingangsimpedanz vs. Frequenz

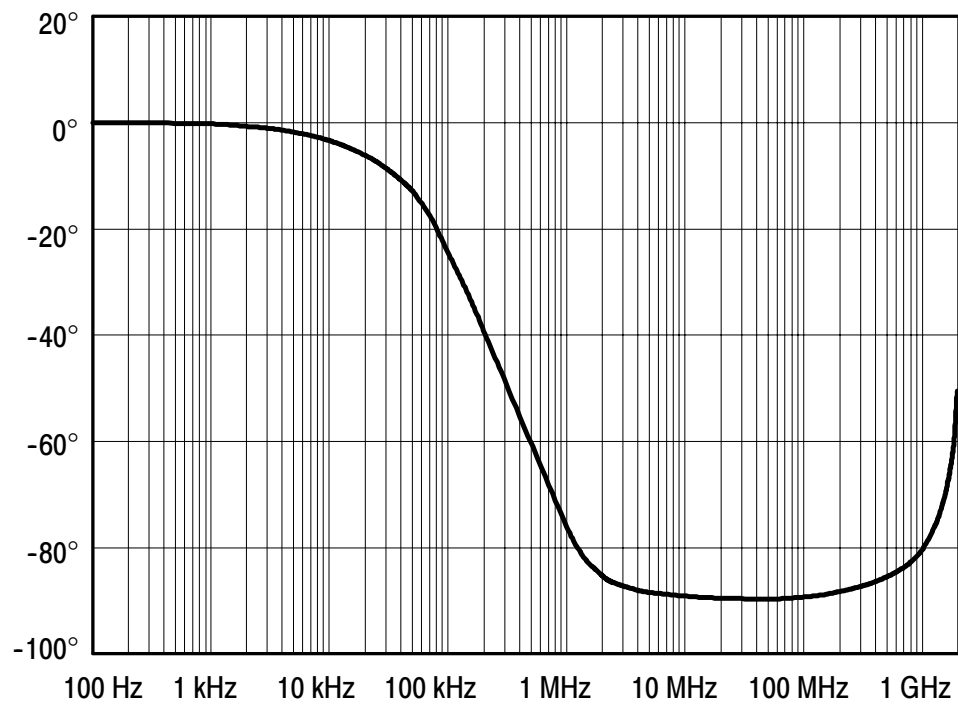


Figure 3-5: Typische Phase vs. Frequenz

Table 3-3: Physische Eigenschaften

Nettogewicht	63,8 gr
Kabellänge	1,3 meter

Table 3-4: Umgebungseigenschaften

Betriebstemperatur	0°C bis +50°C. Die Umgebungsbelastung wird nach Tektronix Design Standard 062-2847-00 für Zubehörteile der Klasse 5 bestimmt.
Nichtbetriebstemperatur	- 40°C bis + 71°C. Die Umgebungsbelastung wird nach Tektronix Design Standard 062-2847-00 für Zubehörteile der Klasse 5 bestimmt.
Feuchtigkeit	Die Umgebungsbelastung wird nach Tektronix Design Standard 062-2847-00 für Zubehörteile der Klasse 5 bestimmt.
Schwingung und Schock der verpackten Geräte	Die verpackten Geräte fallen unter Verteilungszyklus 1, Versicherungsstufe II für verpackte Geräte 0 - 9, 1 kg. Prüfung 2 für Lagerhaus- und Fahrzeugstapelung (Verdichtung) wird erlassen. Tektronix Standard 062-2857-00, Version B, Klasse 5.
Elektrostatische Immunität	IEC 801-2
Elektromagnetische Störfreiheit	IEC 801-3
Höhe (über dem Meeresspiegel)	betriebsfähig: 4570 m nicht betriebsfähig: 15240 m



Español

Manual de Instrucciones

Tektronix

P6245

Sonda Activa de 1,5 GHz y 10X

070-8995-04

Copyright © Tektronix, Inc. Todos derechos reservados.

Los productos Tektronix están cubiertos por patentes de Estados Unidos y del extranjero, emitidas y pendientes. La información dada en esta publicación reemplaza todo el material publicado anteriormente. Se reservan las especificaciones y los privilegios de cambio de precio.

Tektronix, Inc., P.O. Box 500, Beaverton, OR 97077

TEKPROBE, TEKTRONIX, Y TEK son marcas registradas de Tektronix, Inc.

GARANTÍA

Tektronix garantiza que este producto estará libre de defectos en los materiales y mano de obra por un período de un (1) año a partir de la fecha de envío. Si el producto resulta ser defectuoso durante este período de garantía, Tektronix tendrá la opción de reparar el producto defectuoso sin cargo por los repuestos y mano de obra, o bien proveerá un producto de reemplazo a cambio del producto defectuoso.

A fin de obtener servicios de reparación bajo esta garantía, el cliente deberá notificar a Tektronix del defecto antes de que caduque el período de garantía y deberá hacer los preparativos apropiados para la realización de la reparación. El cliente será responsable de empaquetar y enviar el producto defectuoso al centro de servicio designado por Tektronix, pagando con antelación los gastos de envío. Tektronix pagará por la devolución del producto al cliente si el envío se realiza dentro del país en el que esté localizado el centro de servicio de Tektronix. El cliente será responsable por el pago de todos los gastos de envío, aranceles, impuestos y otros gastos por los productos devueltos a cualquier otro punto.

Esta garantía no cubre ningún defecto, fallo o daño causado por el uso indebido, o por mantenimiento y cuidado inadecuados. Tektronix no estará obligado a proporcionar servicios bajo esta garantía a) para reparar daños resultantes del intento por parte de personal no representante de Tektronix para instalar, reparar o mantener el producto; b) para reparar daños resultantes del uso indebido o de la conexión a un equipo no compatible; o c) para dar servicio a un producto que haya sido modificado o integrado con otros productos cuando el efecto de dicha modificación o integración aumente la dificultad o el tiempo necesario para reparar el producto.

TEKTRONIX OFRECE ESTA GARANTÍA CON RESPECTO A ESTE PRODUCTO EN LUGAR DE CUALQUIER OTRA GARANTÍA EXPRESA O IMPLÍCITA. TEKTRONIX Y SUS VENDEDORES NO ASUMEN RESPONSABILIDAD POR CUALQUIER GARANTÍA IMPLÍCITA DE COMERCIALIDAD O APTITUD DEL PRODUCTO PARA UN PROPÓSITO EN PARTICULAR. LA RESPONSABILIDAD DE TEKTRONIX DE REPARAR O REPONER LOS PRODUCTOS DEFECTUOSOS ES EL REMEDIO ÚNICO Y EXCLUSIVO PROPORCIONADO AL CLIENTE BAJO ESTA GARANTÍA. TEKTRONIX Y SUS VENDEDORES NO SERÁN RESPONSABLES POR NINGÚN DAÑO INDIRECTO, ESPECIAL, ACCIDENTAL O CONSECUENTE, INDEPENDIEMENTE DE SI TEKTRONIX O EL VENDEDOR TIENEN NOTIFICACIÓN ANTICIPADA DE LA POSIBILIDAD DE TALES DAÑOS.



Índice del Contenido

Puesta en Marcha

Descripción del Producto	1-1
Accesorios estándar	1-1
Servicio de Asistencia al Cliente	1-2
Características y Accesorios	1-3
Configuración	1-9
Offset de la Sonda	1-9
Comprobación del Funcionamiento	1-11

Instrucciones Básicas de Manejo

Tensión Máxima no Destructiva de Entrada	2-1
Rango Dinámico Lineal de Entrada	2-1
Extensión del Cable de Conexión a Tierra	2-2
Sugerencias Útiles	2-5
Conexión a Tierra de Baja Inductancia	2-5
Conexión a Tierra SureFoot™	2-6
Uso de Puntas de Sonda como Puntos de Prueba	2-7
Estabilización de la Punta de Prueba	2-8

Especificaciones

Figuras

Figure 1-1: Limitaciones dinámicas y de offset	1-10
Figure 1-2: Conexiones de comprobación del funcionamiento de la sonda	1-11
Figure 2-1: Distorsión de la forma de onda por la extensión del cable de conexión a tierra.	2-2
Figure 2-2: Circuito equivalente de cable de conexión a tierra	2-3
Figure 2-3: Conexión a tierra de baja inductancia	2-5
Figure 2-4: Uso del adaptador SureFoot para conexión a tierra	2-6
Figure 2-5: Uso de puntas de sonda como puntos de prueba ..	2-7
Figure 2-6: Ranura de estabilización de la punta de prueba ..	2-8
Figure 3-1: Ancho de banda típico	3-3
Figure 3-2: Reducción típica de tensión en comparación con la frecuencia	3-3
Figure 3-3: Error típico de linealidad en comparación con V_{IN}	3-4
Figure 3-4: Impedancia típica de entrada en comparación con la frecuencia	3-4
Figure 3-5: Fase típica en comparación con la frecuencia	3-5



Resumen sobre Seguridad

Repase las siguientes precauciones de seguridad para evitar lesiones personales y daños a este producto y cualquier producto conectado al mismo.

Los procedimientos de servicios deben ser realizados solamente por personal capacitado.

Precauciones para Evitar Lesiones Personales

Evite sobrecargas eléctricas

Para evitar el peligro de descarga eléctrica o de incendio, no aplique tensión a una terminal que esté fuera del rango especificado para dicha terminal.

No lo haga funcionar sin las cubiertas

Para evitar el peligro de descarga eléctrica o de incendio, no haga funcionar este producto habiendo retirado las cubiertas o paneles.

No lo haga funcionar en un entorno húmedo o mojado

Para evitar el peligro de descarga eléctrica, no haga funcionar este producto en un entorno húmedo o mojado.

No lo haga funcionar en una atmósfera explosiva

Para evitar el peligro de lesión personal o de incendio, no haga funcionar este producto en una atmósfera explosiva.

Precauciones para Evitar Daños al Producto

No lo haga funcionar si sospecha alguna avería

Si sospecha que el producto está dañado, entrégueselo a personal de servicio capacitado para que lo inspeccione.

No lo introduzca en líquidos

Limpie la sonda usando solamente un paño húmedo. Consulte las instrucciones de limpieza.

Términos y Símbolos de Seguridad

Términos de este manual

Los siguientes términos pueden aparecer en este manual:



WARNING. *Los avisos de advertencia identifican condiciones o prácticas que podrían resultar en lesiones o pérdida de la vida.*



CAUTION. *Los avisos de precaución identifican condiciones o prácticas que podrían resultar en daño al equipo u otra propiedad.*

Estructura del Manual

Información para el Usuario

Esta sección contiene la información necesaria para instalar y usar la sonda P6245.

- Puesta en Marcha

Esta sección contiene la descripción del producto, descripción de los accesorios, configuración de la sonda y cómo comprobar que la sonda funciona con normalidad.

- Instrucciones Básicas de Manejo

Esta sección contiene información básica y sugerencias de manejo para un máximo rendimiento de la sonda.

- Especificaciones

Información sobre Mantenimiento y Servicio (Inglés solamente)

Esta sección contiene la información necesaria para el mantenimiento y reparación de la sonda P6245.

- Teoría de Manejo
- Verificación del Rendimiento
- Ajustes
- Mantenimiento
- Guía de Localización de Averías

Lista de Piezas Reemplazables (Inglés solamente)



Puesta en Marcha

Descripción del Producto

El producto P6245 de Tektronix es una sonda FET activa de 1,5GHz (sonda solamente) y 10X con una capacitancia de entrada de menos de 1pF. La baja capacitancia de entrada de la sonda P6245 y alta resistencia de entrada minimizan la carga del circuito en un amplio rango de ancho de banda. El perfil pequeño y cabezal de masa baja de la sonda P6245 hace que el sondeo manual de circuitos densos sea una tarea rápida y fácil. Las puntas y adaptadores accesorios permiten el uso de la sonda P6245 en una amplia variedad de estructuras de circuitos.

La sonda P6245 se alimenta a través de una interfaz TEKPROBE entre la caja de compensación de la sonda y el osciloscopio. La sonda P6245 puede usarse con osciloscopios e instrumentos que no sean TEKPROBE usando la fuente de alimentación de sonda opcional 1103 de Tektronix.

A fin de conocer completamente la capacidad de la sonda, sírvase leer las secciones *Puesta en Marcha e Instrucciones Básicas de Manejo* de este manual.

Accesorios estándar

La sonda P6245 se envía con los siguientes accesorios estándar:

- Puntas de prueba estándar
- Cables de prueba de microcircuito SMT KlipChip™
- Adaptador para cable en Y
- Adaptador de ángulo derecho
- Adaptadores de señal-conexión a tierra
- Cables de conexión a tierra de 7,6cm y 15cm
- Cable de conexión a tierra de baja inductancia
- Anillos marcadores
- Manual de Instrucciones

Para información sobre el número de pieza de accesorios estándar y opcionales, consulte la sección de *Piezas Reemplazables* de este manual.

Servicio de Asistencia al Cliente

Para ayudarle a obtener el máximo rendimiento de su sonda, Tektronix ofrece los siguientes servicios de apoyo al cliente:

Asistencia de Funcionamiento

Si se encuentra fuera de los Estados Unidos o Canadá, por favor comuníquese con el Centro de Servicio de Tektronix más cercano a usted.

Asistencia de Mantenimiento y Reparaciones

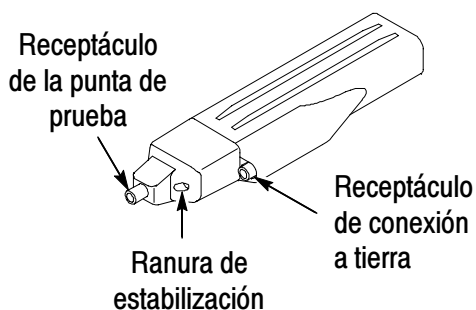
Si la sonda necesita alguna reparación que no esté incluida en la ayuda ofrecida por este manual, por favor comuníquese con el Centro de Servicio de Tektronix más cercano.

Asistencia de Ventas

Si se encuentra fuera de los Estados Unidos o Canadá, por favor comuníquese con el Centro de Servicio de Tektronix más cercano a usted.

Características y Accesorios

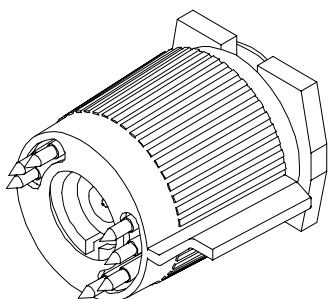
La sonda P6245 cuenta con varias características y accesorios diseñados para simplificar la tarea de tomar mediciones. Le rogamos que se tome un momento para informarse de estos elementos y sus usos.



Conjunto del Cabezal de la Sonda. El cabezal de la sonda está diseñado para un uso fácil y alto rendimiento. Su pequeño tamaño hace que sea fácil de manejar en áreas estrechas.

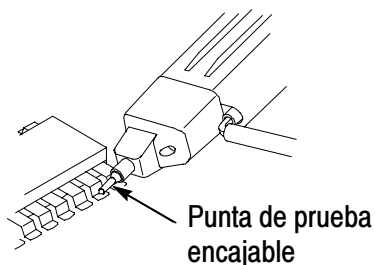
El receptáculo de la punta de prueba tiene unas dimensiones adecuadas para presionar fácilmente sobre clavijas de 0,025 pulgadas para acceso directo. El receptáculo de conexión a tierra proporciona un recorrido corto de conexión a tierra para conexiones altamente fiables de conexión a tierra.

La ranura de estabilización le permite usar clavijas adyacentes para reducir las presiones en la sonda y las clavijas. Para más información, vea las páginas 1-7 y 2-8.



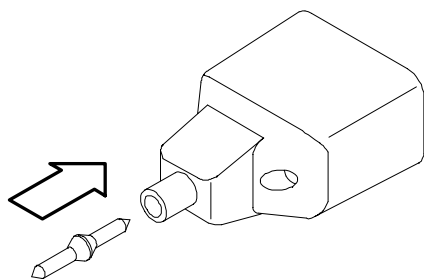
Interfaz TEKPROBE™. La interfaz TEKPROBE proporciona una vía de comunicación entre la sonda y el osciloscopio. Las clavijas de contacto proporcionan la transferencia de datos característicos de la alimentación, señal, offset y sonda. Para más información, vea la página 4-2.

Si su osciloscopio no soporta la interfaz TEKPROBE, puede usar la fuente de alimentación de sonda opcional 1103 como una interfaz efectiva. Para más información, comuníquese con su representante local de Tektronix.



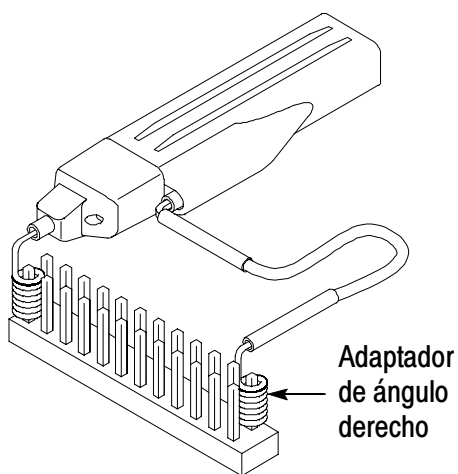
Punta de Prueba Encajable. Use la punta de prueba encajable para propósitos generales de medición a mano. La punta se puede utilizar también como punto de prueba temporal. Para más información, vea la página 2-7.

La punta de prueba encajable también puede usarse con los demás cables y adaptadores con receptáculos.



Instalación de la Punta de Prueba Encajable. Conecte la punta de prueba encajable introduciendo la punta en el receptáculo de la sonda y presionando sobre la punta hasta que quede encajada. Se puede usar cualquiera de los dos lados de la punta.

No fuerce la punta. Debe tener cuidado también de no pincharse con la punta afilada. Para quitar la punta, agárrela *suavemente* con unos alicates pequeños y tire de ella hacia afuera.

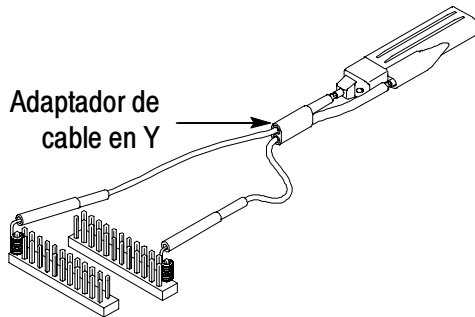


Adaptador de Ángulo Derecho. Use el adaptador de ángulo derecho para sondeos de bajo perfil de clavijas cuadradas de 0,025 de diámetro.

El adaptador de ángulo derecho permite que la sonda P6245 se pueda poner en posición plana contra una placa de circuito impreso. Esto facilita el sondeo en circuitos verticales como placas posteriores de interconexiones de ordenadores o comunicaciones, o en áreas estrechas como entre tarjetas de circuitos.

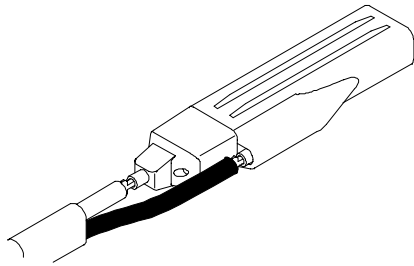
El adaptador de ángulo derecho puede usarse directamente con el cabezal de la sonda o conectado a un adaptador de cable en Y o cables de conexión a tierra.

El adaptador de ángulo derecho se conecta de la misma manera que la punta de prueba encajable y se quita fácilmente con la mano.

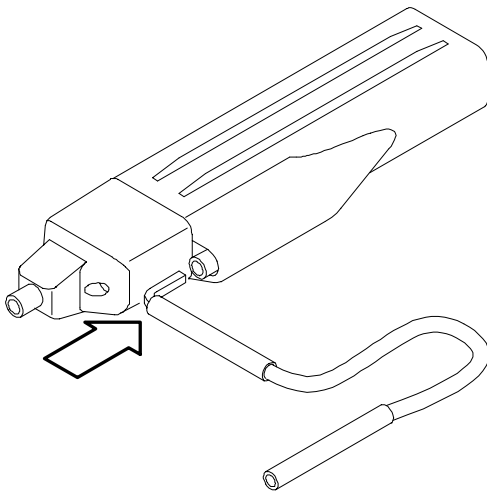


Adaptador de cable en Y. Use el adaptador de cable en Y para extender el alcance físico de la sonda y la conexión a tierra siempre que lo necesite. El adaptador de cable en Y acepta cualquiera de las puntas o adaptadores de la sonda y puede encajarse directamente en clavijas de 0,025 pulgadas.

Al seleccionar la conexión a tierra, mantenga el recorrido lo más corto posible. Para más información, vea la página 2-2.



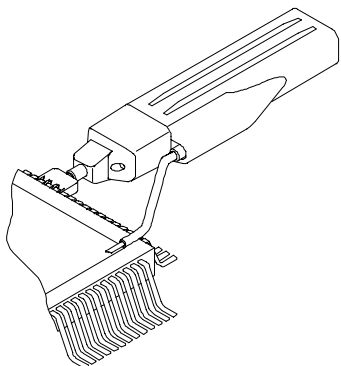
Para conectar el adaptador de cable en Y, presione suavemente las clavijas del cable para introducirlos en los receptáculos de la punta del cabezal de la sonda y la conexión a tierra. Se recomienda el uso del cable negro para la conexión a tierra.



Cables de conexión a tierra de 7,6cm y 15cm. Use los cables de conexión a tierra de 7,6cm y 15cm para sondeos generales. El extremo hueco de los cables puede conectarse a cualquier punta u adaptador de sonda o encajarse en clavijas de 0,025 pulgadas.

Para conectar los cables de conexión a tierra, presione y gire el conector de clavija del cable dentro del receptáculo de conexión a tierra en el cabezal de la sonda. El cable se puede quitar simplemente tirando de la clavija hacia afuera con la mano.

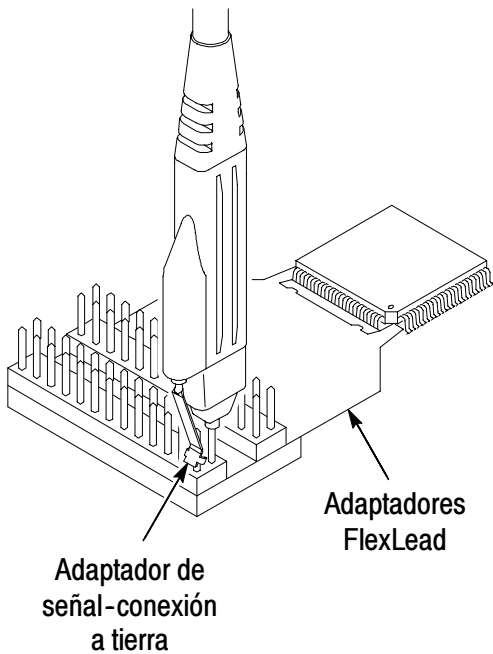
Al seleccionar la conexión a tierra, mantenga el recorrido lo más corto posible. Para más información, vea la página 2-2.



Cable de conexión a tierra de baja inductancia. Use el adaptador de conexión a tierra de baja inductancia para reducir considerablemente la inductancia del cable de conexión a tierra. Debido a que el cable de conexión a tierra simplemente toca la referencia de tierra, puede mover fácilmente la sonda a diferentes puntos del aparato que esté probando.

Para conectarlo, presione el cable de conexión a tierra dentro del receptáculo de conexión a tierra del cabezal de la sonda.

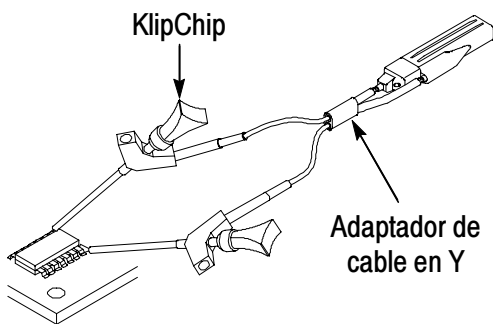
Al seleccionar la conexión a tierra, mantenga el recorrido lo más corto posible. Para más información, vea la página 2-2.



Adaptador de señal-conexión a tierra. El adaptador de señal-conexión a tierra es ideal para uso con pares de señal/conexión a tierra en clavijas de 0,100 (tales como adaptadores FlexLead™).

Conecte el adaptador de señal-conexión a tierra presionándolo suavemente dentro del receptáculo de conexión a tierra en el cabezal de la sonda.

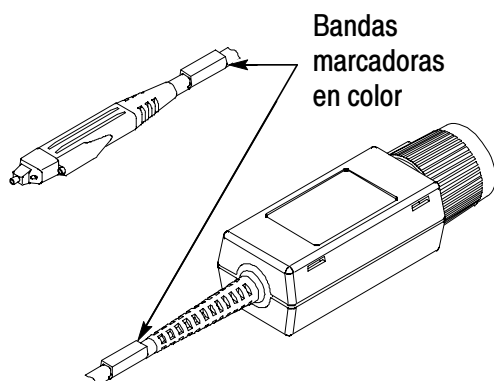
Asegúrese de usar la ranura de estabilización siempre que sea posible. Para más detalles, vea la página 2-8.



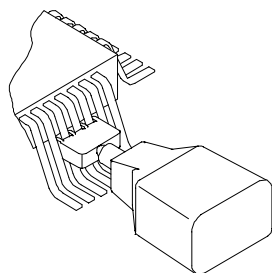
SMT KlipChip™. Use las pinzas de prueba SMT KlipChip para acceder a circuitos frágiles y densos.

Las pinzas de prueba KlipChip pueden conectarse a cables de conexión a tierra de 7,6cm y 15cm. Solamente tiene que presionar el receptáculo del cable dentro de la manivela del KlipChip.

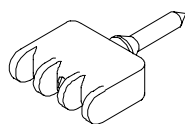
El cuerpo del KlipChip gira libremente, permitiendo una mejor orientación de la sonda. Para reducir la presión y proporcionar un perfil más bajo sobre los componentes que están bajo prueba, la manga flexible del KlipChip se dobla hasta un ángulo de 35 grados.



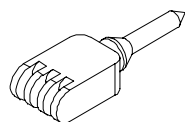
Bandas marcadoras en color. Conecte pares del mismo color de bandas marcadoras en el cable del cabezal y la caja de compensación de cada sonda. Las bandas marcadoras le permiten verificar rápidamente qué sonda está conectada a qué canal del instrumento.



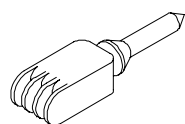
Punta de Prueba SureFoot™ (opcional). La punta SureFoot es una punta de prueba integral y guía en miniatura que permite sondeos fiables de paquetes SMD de paso pequeño. Conecte los adaptadores SureFoot de la misma manera que las puntas de prueba encajables. Se pueden usar con cualquiera de los cables accesorios con receptáculos.



La punta de prueba amarilla SureFoot de 0,050 pulgadas es compatible con paquetes JEDEC de 50 milipulgadas como SOIC, PLCC, CLCC, etc.



La punta de prueba azul SureFoot de 0,025 pulgadas es compatible con paquetes EIAJ y JEDEC de 0,65mm.



La punta de prueba roja SureFoot de 0,5 pulgadas es compatible con paquetes EIAJ.

Configuración

La sonda P6245 proporciona al osciloscopio el número de modelo de la sonda, número de serie y factor de atenuación. Cuando está conectada a un osciloscopio de interfaz TEKPROBE, las lecturas de la pantalla se corrigen por el factor de atenuación de la sonda, la entrada del instrumento se ajusta a 50Ω y el acoplamiento a CC.



CAUTION. *No intente instalar la sonda P6245 en un conector que no sea TEKPROBE. Esto podría resultar en daño a la sonda y al conector. Si su osciloscopio no soporta la interfaz TEKPROBE, use la fuente de alimentación de sonda opcional 1103 de Tektronix.*

Si usa la sonda P6245 con la fuente de alimentación de sonda opcional 1103 de Tektronix, asegúrese de tener una terminación de 50Ω en el osciloscopio. También debe poner el acoplamiento de canal del osciloscopio a CC.

El control de offset de la sonda está controlado por el osciloscopio. Si el osciloscopio usado no soporta la interfaz TEKPROBE, se puede usar el control de offset de la fuente de alimentación de sonda opcional 1103 de Tektronix.

Offset de la Sonda

El offset de la sonda se puede ajustar para permitir el funcionamiento dentro del rango lineal de la sonda. El uso del offset para cancelar los componentes de señal de CC proporciona un rendimiento máximo de la sonda. Vea la Figura 1-1 en la página 1-10.

NOTE. *Consulte el manual del osciloscopio sobre las instrucciones específicas del control de operación y offset.*

Para ajustar el offset de la sonda, siga los siguientes pasos:

1. Ponga el acoplamiento del osciloscopio en GND.
2. Use el control de posición vertical para ajustar el nivel de referencia de la pantalla del osciloscopio a cero.
3. Ajuste el acoplamiento del osciloscopio a CC y 5V/div.
4. Conecte la sonda al circuito.
5. Ajuste el offset de la sonda para llevar la traza a la referencia cero del osciloscopio.
6. Cambie la configuración de voltios/división al rango deseado, ajustando el offset para mantener la traza al nivel de referencia cero.

NOTE. La sonda P6245 tiene un rango de offset de $\pm 10\text{V}$. El rango de operación lineal es de $\pm 8\text{V}$. Vea la Figura 1-1. Vea también la página 2-1 para más información.

Si se usan cursores en un osciloscopio TEKPROBE, la referencia cero estará en la tensión de offset de la sonda.

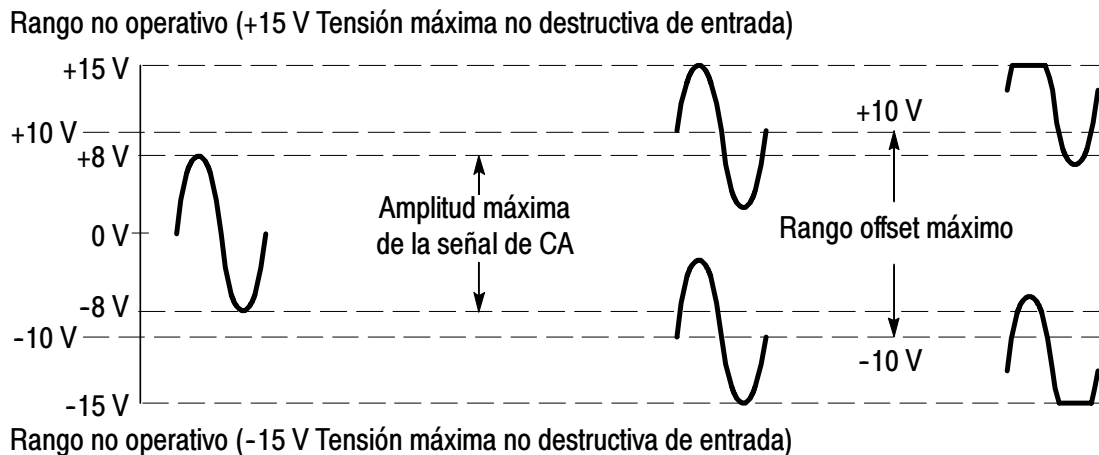


Figure 1-1: Limitaciones dinámicas y de offset

Comprobación del Funcionamiento

Después de instalar la sonda en el osciloscopio, se puede realizar una comprobación del funcionamiento usando las conexiones de COMPENSACIÓN DE LA SONDA en el panel frontal del osciloscopio. Vea la Figura 1-2.

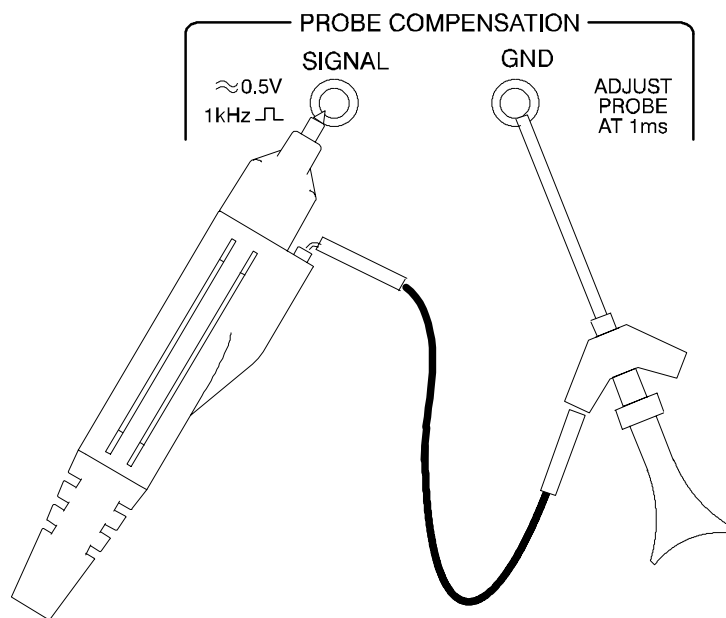


Figure 1-2: Conexiones de comprobación del funcionamiento de la sonda

1. Conecte la sonda al osciloscopio.
2. Ajuste el osciloscopio para que muestre el canal de la sonda.
3. Usando un cable de conexión a tierra y un SMT KlipChip, conecte la toma a tierra de la sonda a la conexión a tierra de la COMPENSACIÓN DE SONDA del osciloscopio.
4. Usando una punta estándar, conecte la sonda a la terminal de señal (SIGNAL) del osciloscopio.

5. Pulse **AUTOSET** (o ajuste el osciloscopio) para que muestre la forma de onda de calibración.

NOTE. *Si el instrumento soporta rutinas de calibración de onda, éste es un buen momento para llevarlas a cabo.*

6. Desconecte la sonda de la terminal de señal (SIGNAL) y conecte a tierra la punta de la sonda. (Conecte el KlipChip a la punta de la sonda).
7. Con el offset de sonda en 0,0, la pantalla del osciloscopio debe estar en la referencia de conexión a tierra.
8. Ajuste los voltios/división del osciloscopio a 5V.
9. Ajuste el offset de la sonda. La forma de onda mostrada debe variar entre aproximadamente +10 y -10 voltios. (Un offset de +10V mostrará un nivel de -10V en el instrumento).

NOTE. *Si no aparece ninguna forma de onda, compruebe el acoplamiento vertical para asegurarse de que está en CC.*

Si el ajuste de offset no surte efecto, ponga el acoplamiento vertical en CC.

Si está usando la fuente de alimentación de sonda opcional 1103 de Tektronix, y la forma de onda aparece distorsionada, compruebe si la terminación del osciloscopio es 50Ω.

Si esta comprobación del funcionamiento de la sonda no resulta apta, consulte la sección *Guía de Localización de Averías* de este manual.



Instrucciones Básicas de Manejo



Instrucciones Básicas de Manejo

Por favor siga estas instrucciones de manejo para obtener un máximo rendimiento de la sonda P6245.

Tensión Máxima no Destructiva de Entrada

La sonda P6245 está protegida eléctricamente contra tensión estática; no obstante, si se aplican tensiones por encima de los límites de su capacidad, se puede dañar el amplificador de la punta de prueba. Por favor consulte la sección *Especificaciones* de este manual para información sobre la tensión y frecuencia máximas de funcionamiento.

Rango Dinámico Lineal de Entrada

El amplificador del cabezal de la sonda P6245 tiene un rango lineal de funcionamiento limitado. Para mantener el error de linealidad de entrada por debajo del 4%, debe limitar la tensión de entrada de la señal a $\pm 8V$ (incluyendo cualquier offset de CC).

Use el ajuste del offset de CC para mantener la sonda dentro de su rango dinámico. El rango nominal de ajuste de offset de la sonda P6245 es $\pm 10V$ CC. Por ejemplo: para desviar un nivel +5V CC de un circuito, ajuste el offset a +5V.

Extensión del Cable de Conexión a Tierra

Cuando compruebe un circuito, debe usar siempre un cable de conexión a tierra lo más corto posible entre el cabezal de la sonda y la conexión a tierra del circuito.

La inductancia en serie añadida por la punta de prueba y el cable de conexión a tierra puede resultar en un circuito resonante; este circuito puede causar una resonancia parásita dentro del ancho de banda del osciloscopio. Vea la figura 2-1.

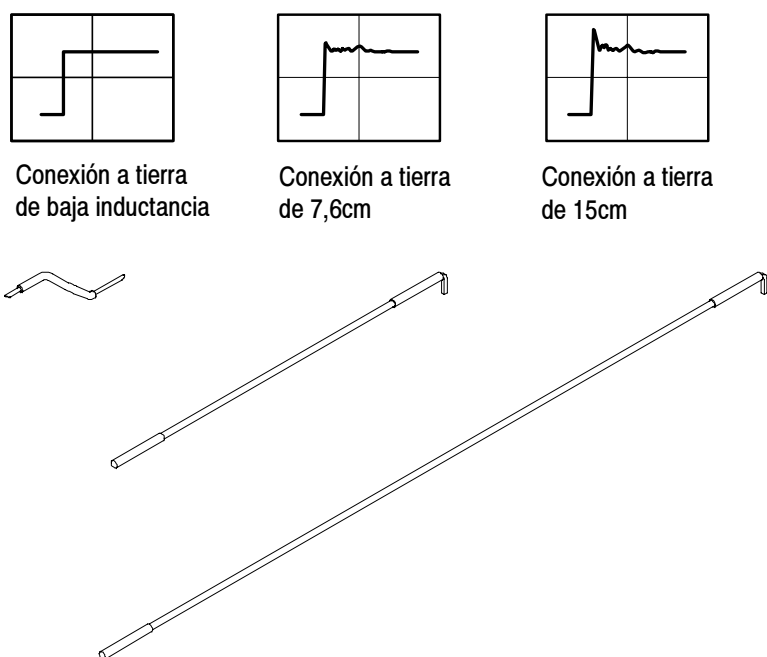


Figure 2-1: Distorsión de la forma de onda por la extensión del cable de conexión a tierra.

Inductancia del Cable de Conexión a Tierra

Al poner en contacto la punta de prueba con un elemento del circuito, se está introduciendo una nueva resistencia, capacitancia e inductancia en el circuito. Vea la Figura 2-2.

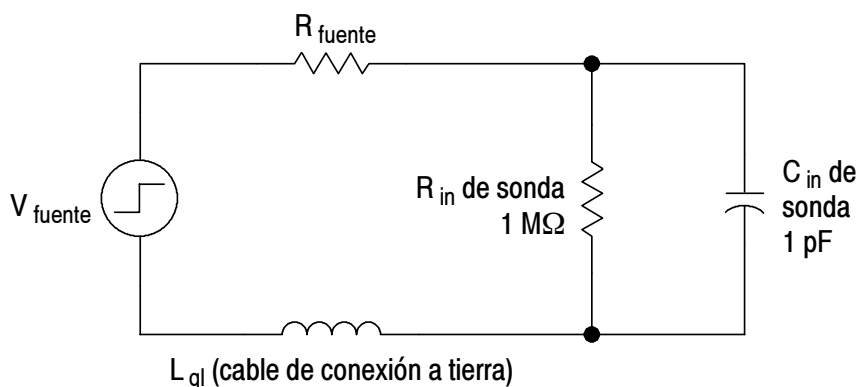


Figure 2-2: Circuito equivalente de cable de conexión a tierra

La degradación de resonancia y tiempo de subida puede filtrarse si el contenido de la frecuencia de la degradación de la señal está más allá del ancho de banda del osciloscopio.

Puede determinar si los efectos del cable de conexión a tierra pueden ser un problema en la aplicación que esté realizando si conoce la autoinductancia (L) y capacitancia (C) de la sonda y del cable de conexión a tierra. Con la siguiente fórmula, calcule la frecuencia resonante (f_0) aproximada a la que este circuito parásito resonará:

$$f_0 = \frac{1}{2\pi \sqrt{LC}}$$

La ecuación anterior muestra que al reducir la inductancia del cable de conexión a tierra sube la frecuencia resonante. Si sus mediciones se ven afectadas por resonancia, su objetivo es reducir la inductancia del recorrido de conexión a tierra hasta que la frecuencia resonante resultante esté bien por encima de la frecuencia de sus mediciones.

Los contactos de conexión a tierra con baja inductancia descritos en la sección *Accesorios* pueden ayudar a reducir los efectos de la inductancia del cable de conexión a tierra en sus mediciones.

Sugerencias Útiles

Siga las siguientes sugerencias útiles para sondeos más fáciles y sin ruido.

Conexión a Tierra de Baja Inductancia

Si se coloca un plano de conexión a tierra sobre el paquete bajo prueba se puede minimizar la extensión del cable de conexión a tierra y la inductancia. Vea la Figura 2-3.

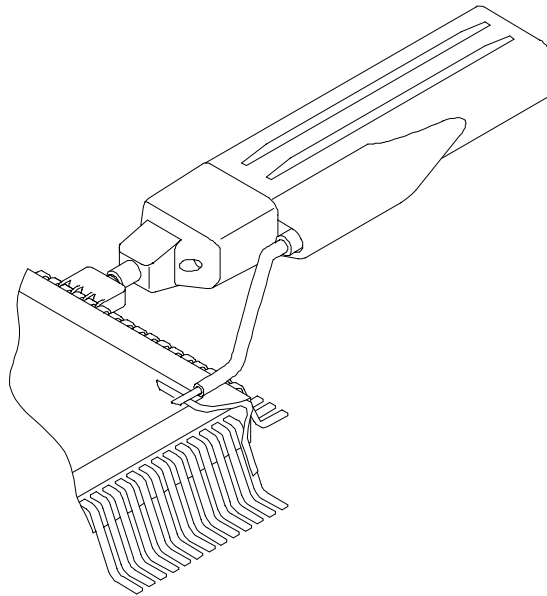


Figure 2-3: Conexión a tierra de baja inductancia

Ponga un pequeño trozo de chapa de cobre sobre el paquete y conéctelo a la conexión a tierra del paquete. Use el cable de conexión a tierra de baja inductancia proporcionado con la sonda P6245 para mantener el recorrido de conexión a tierra lo más corto posible.

Este método es muy útil al hacer muchas mediciones en el mismo paquete. Al colocar un plano de conexión a tierra sobre el paquete, el sondeo resulta más fácil y evita añadir extensión de conexión a tierra y distorsión innecesarias.

Conexión a Tierra SureFoot™

Si no puede usar el método de conexión a tierra de baja inductancia recomendado, puede hacer la conexión a tierra de la sonda al paquete usando un adaptador SureFoot. Vea la Figura 2-4.

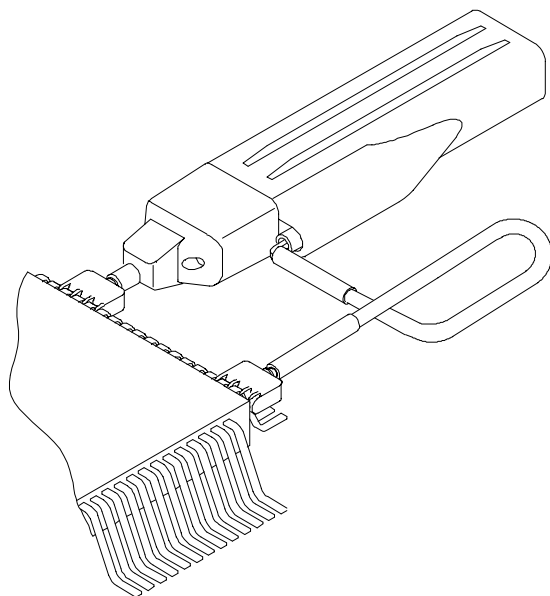


Figure 2-4: Uso del adaptador SureFoot para conexión a tierra

Puede usar el adaptador SureFoot en el extremo de un cable corto de conexión a tierra para conectar directamente a la conexión a tierra del paquete. Este método es preferible al de usar una conexión a tierra de un circuito adyacente, ya que es el recorrido de conexión a tierra más corto posible.

Uso de Puntas de Sonda como Puntos de Prueba

Se puede soldar a un circuito una punta de sonda encajable o una clavija cuadrada de 0,025 para usarla como punto de prueba temporal. Vea la Figura 2-5.

Suelde la punta a un cable o clavija con una plancha de soldar de baja potencia. Presione el cabezal de la sonda sobre la punta para hacer una medición y, una vez haya finalizado, tire del cabezal hacia afuera.

Puede quitar la punta de prueba y volver a usarla desoldándola del circuito y volviendo a soldarla en otro circuito en el futuro.

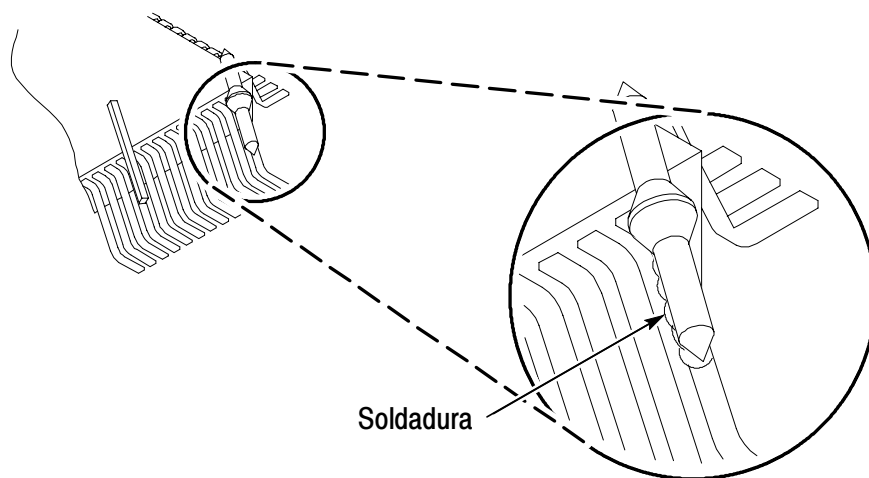


Figure 2-5: Uso de puntas de sonda como puntos de prueba

NOTE. No se recomienda el uso de trozos de cable de cobre macizo como punto de prueba. Si el cable se rompe dentro del receptáculo de la sonda, es posible que no se pueda quitar y que obstruya otras puntas accesorias.

Estabilización de la Punta de Prueba

El cabezal de la sonda P6245 tiene una ranura estabilizadora para usarla con clavijas espaciadas a 0,100 pulgadas. Vea el dibujo detallado del cabezal de la sonda en la página 1-3.

A medida que se presiona la sonda sobre la clavija, una clavija adyacente puede insertarse en la ranura de estabilización de la sonda. Vea la Figura 2-6. De esta manera se evita aplicar demasiada presión sobre la punta de la sonda o sobre las clavijas.

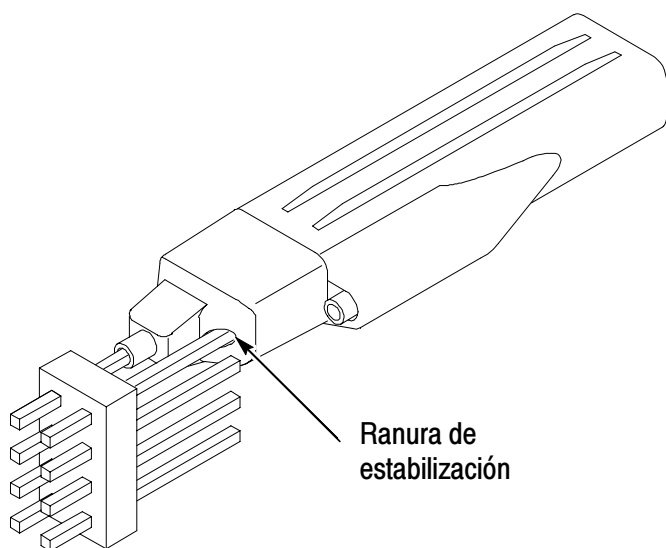


Figure 2-6: Ranura de estabilización de la punta de prueba

Así, el adaptador de señal-conexión a tierra descansa sobre la clavija de estabilización sin riesgo de que se salga de su sitio.



Especificaciones

Especificaciones

Estas especificaciones son aplicables a la sonda P6245 cuando se usa con un osciloscopio TDS 684A.

Antes de tomar las mediciones, es necesario dejar que la sonda y el instrumento se calienten por 20 minutos.



CAUTION. *No aplique a la sonda tensiones por encima del rango de tensión no destructiva de entrada. Ello puede resultar en daño a la sonda o al circuito bajo prueba.*

Table 3-1: Especificaciones eléctricas garantizadas

Ancho de banda analógico (sistema)	1GHz
Precisión de atenuación de CC (sonda solamente)	10:1 \pm 2%
Salida cero	\pm 5mV o menos en la salida de la sonda \pm 50mV o menos mostrados en la pantalla con interfaz TEKPROBE
Tiempo de subida (sonda solamente)	267ps en osciloscopios \geq 10GHz

Table 3-2: Características eléctricas típicas

Ancho de banda analógico (sonda solamente)	1,5GHz en osciloscopios \geq 10GHz (Vea la Figura 3-1)
Rango dinámico lineal de entrada	De -8V a +8V equivalente a de -0,8V a +0,8V en la salida de la sonda
Linealidad	\pm 4% o menos de rango dinámico
Rango de tensión no destructiva de entrada	De -15V a +15V (CC + CA de pico) (Vea la Figura 3-2)
Resistencia de entrada	1M Ω a CC. (Vea la Figura 3-4)
Capacitancia de entrada	\leq 1,0pF
Rango de offset	De -10V a +10V
Variación de offset de CC	100 μ V/ $^{\circ}$ C o menos en la salida de la sonda 1mV/ $^{\circ}$ C o menos mostrado en la pantalla con interfaz TEKPROBE
Tiempo de retardo	5,3 ns \pm 0,2 nanosegundos

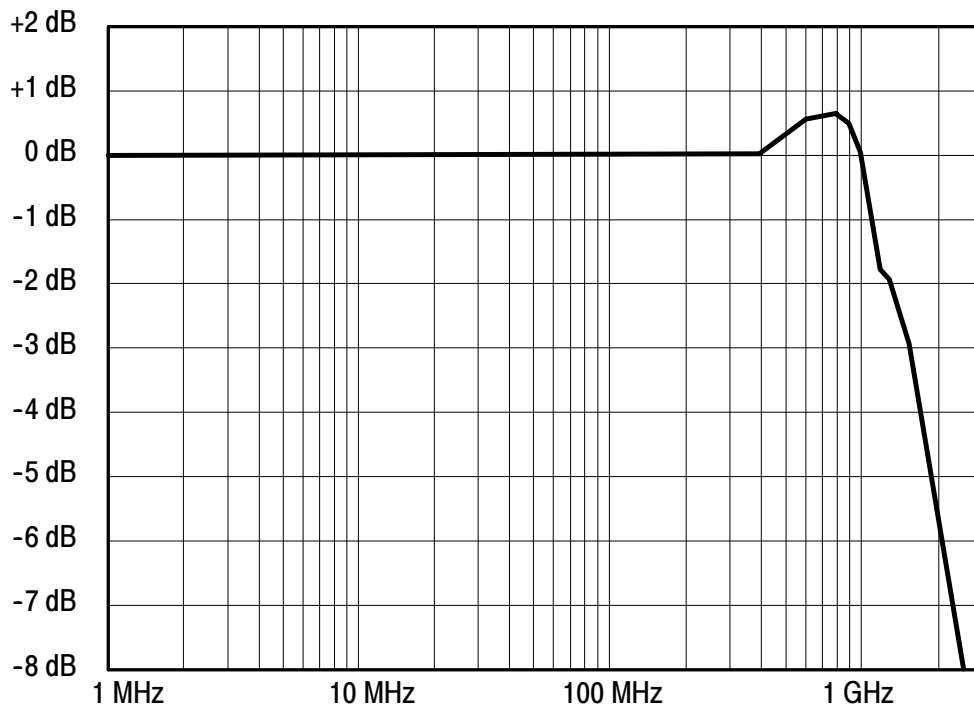


Figure 3-1: Ancho de banda típico

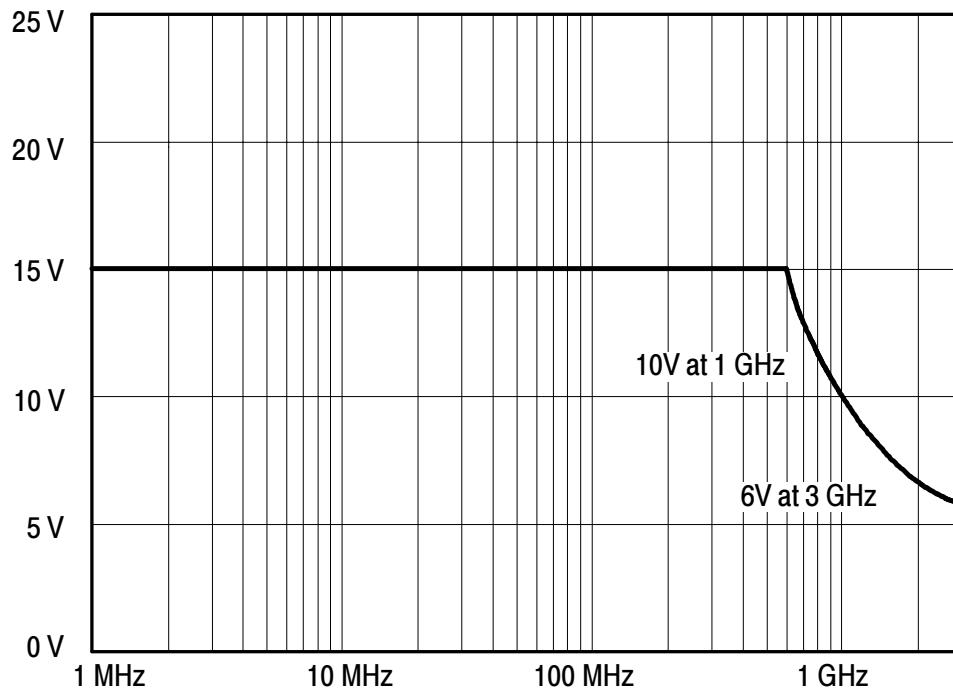


Figure 3-2: Reducción de tensión en comparación con la frecuencia

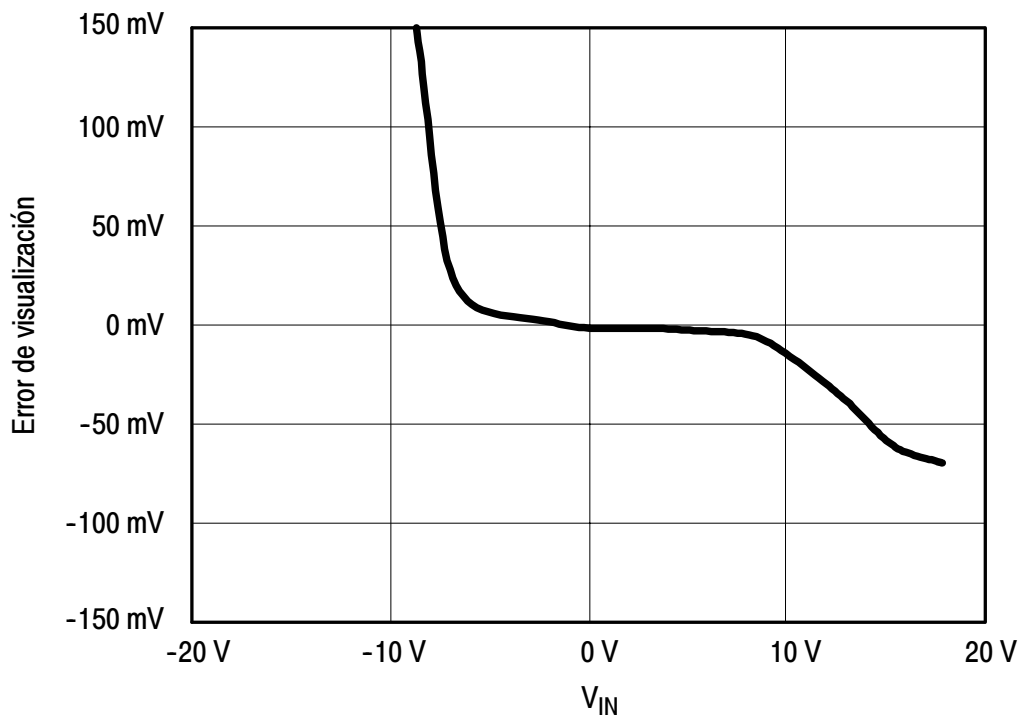


Figure 3-3: Error típico de linealidad en comparación con V_{IN}

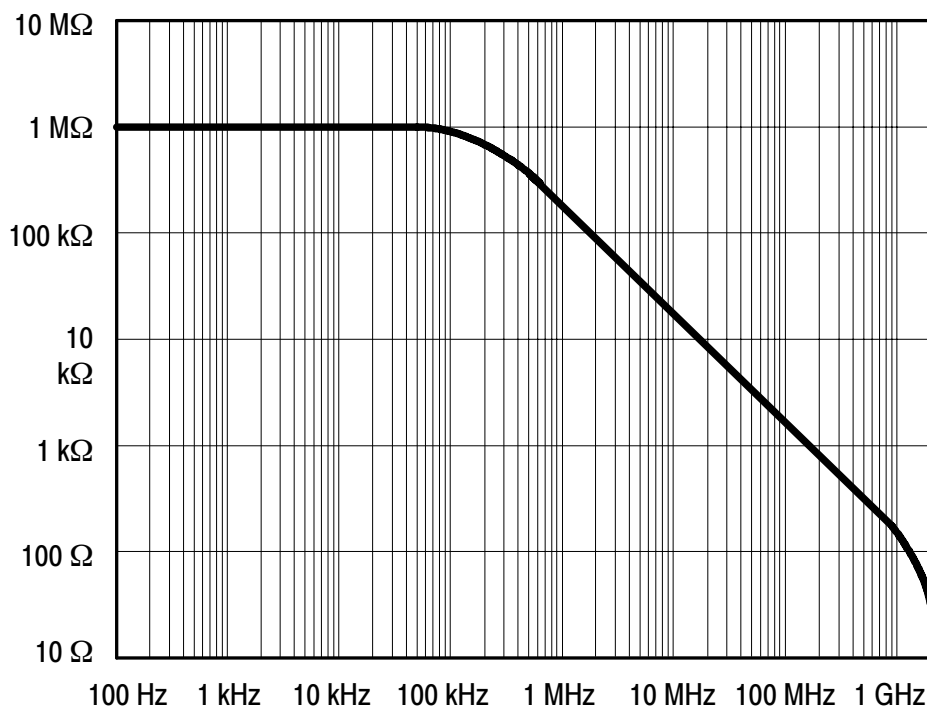


Figure 3-4: Impedancia típica de entrada en comparación con la frecuencia

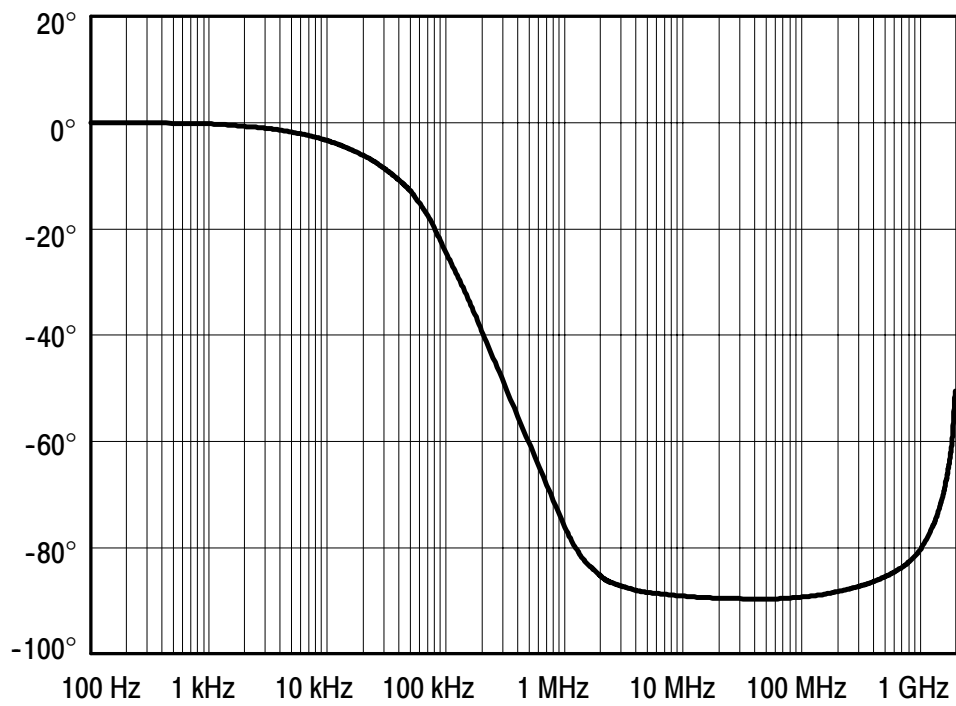


Figure 3-5: Fase típica en comparación con la frecuencia

Table 3-3: Características físicas

Peso neto	63,8 g
Extensión del cable	1,3 metros

Table 3-4: Características medioambientales

Temperatura de funcionamiento	De 0°C a +50°C. La exposición medioambiental es el procedimiento establecido por el Estándar de Diseño de Tektronix 062-2847-00 para equipos de la Clase 5.
Temperatura de no funcionamiento	De -40°C a +71°C. La exposición medioambiental es el procedimiento establecido por el Estándar de Diseño de Tektronix 062-2847-00 para equipos de la Clase 5.
Humedad	La exposición medioambiental es el procedimiento establecido por el Estándar de Diseño de Tektronix 062-2847-00 para equipos de la Clase 5.
Vibración y choque del producto empaquetado	El producto empaquetado califica bajo el Ciclo I de Distribución, Nivel II de Seguridad, de productos empaquetados de 0 a 9,1kg. Se omite la prueba 2 para apilamiento en almacenes y vehículos (compresión). Estándar de Tektronix 062-2858-00, Rev. B, Clase 5.
Inmunidad electrostática	IEC 801 -2
Compatibilidad electromagnética	IEC 801 -3
Altitud	En funcionamiento: 4,570m Fuera de funcionamiento: 15,240m



Service Information

Service Information Contents

Theory of Operation

Probe Head and Cable Assembly	4-1
Compensation Box	4-2
Offset Amplifier	4-2
Probe Identification EEPROM	4-2
TEKPROBE™ Interface	4-2

Performance Verification

Equipment Required	4-4
Equipment Setup	4-4
Offset Zero	4-5
DC Accuracy	4-6

Adjustments

Adjustment Locations	4-9
Offset Zero	4-10
Offset Range	4-11

Maintenance

Replacing TEKPROBE™ Interface Pins	4-13
Removing and Replacing the Compensation Box Covers	4-14
Removing and Replacing the TEKPROBE™ Interface Collar .	4-16
Inspection and Cleaning	4-17
Replacement Parts	4-17
Preparation for Shipment	4-17

Troubleshooting

Replaceable Parts

Parts Ordering Information	5-1
Using the Replaceable Parts List	5-2
Item Names	5-2
Indentation System	5-2
Abbreviations	5-2

List of Figures

Figure 4-1: P6245 Simplified Schematic Diagram	4-1
Figure 4-2: TEKPROBE Interface	4-3
Figure 4-3: P6245 DC Accuracy Setup	4-7
Figure 4-4: P6245 Adjustment Locations	4-9
Figure 4-5: Replacing TEKPROBE Interface Pins	4-13
Figure 4-6: Removing the Compensation Box Covers	4-14
Figure 4-7: Replacing the Compensation Box Cover	4-15
Figure 4-8: Replacing the TEKPROBE collar	4-16
Figure 4-9: Compensation Box Test Point Locations	4-20
Figure 5-1: P6245 Replaceable Parts	5-4
Figure 5-2: P6245 Standard Accessories	5-6
Figure 5-3: P6245 Optional Accessories	5-8



WARNING

The following servicing instructions are for use only by qualified personnel. To avoid injury, do not perform any servicing other than that stated in the operating instructions unless you are qualified to do so. Refer to all safety summaries before performing any service.

Theory of Operation

There are no user replaceable parts within the probe or the compensation box; however, this theory of operation is provided to assist you in isolating failures to either the probe or the host oscilloscope. Refer to Figure 4-1 for the probe's simplified schematic.

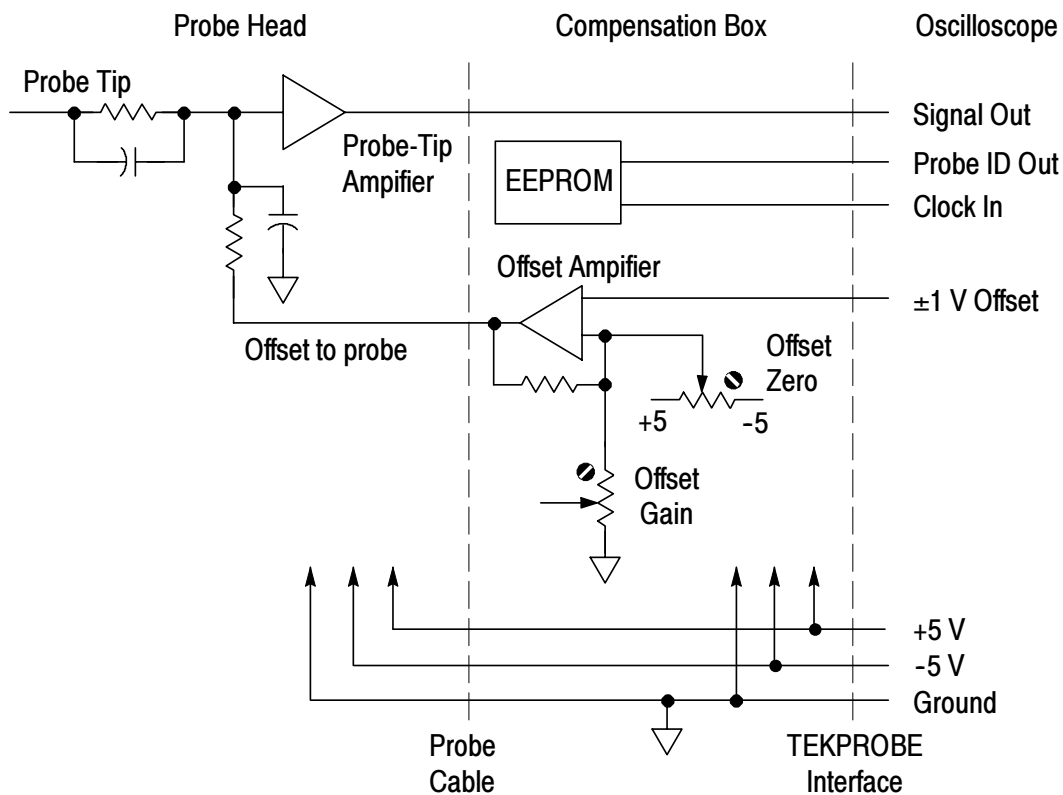


Figure 4-1: P6245 Simplified Schematic Diagram

Probe Head and Cable Assembly

The probe head assembly contains an active amplifier circuit that buffers and amplifies the input signal. The amplifier receives power and an offset level from the compensation box assembly via the cable assembly.

All signal amplification and buffering is performed in the probe head assembly. No further amplification takes place in the compensation box.

Compensation Box

The compensation box contains the following circuits:

- Offset amplifier
- Probe identification EEPROM
- TEKPROBE interface

Offset Amplifier

The offset amplifier is used to offset the input signal's DC component so that it stays at the optimal point of the probe's linear dynamic range. For more information on the linear dynamic range characteristic, refer to the notes on page 2-1.

The offset amplifier receives offset information as a ± 1 VDC voltage from the oscilloscope. The amplifier then amplifies it to match the probe characteristics and applies it to the probe hybrid circuit.

The offset amplifier has two adjustments: offset zero and offset gain. These adjustments rarely need attention; however, detailed adjustment instructions are in the *Adjustment* section on page 4-9.

Probe Identification EEPROM

The probe identification EEPROM is used to configure the oscilloscope to the probe. The EEPROM receives a clock input from the oscilloscope, and information about the probe is passed to the oscilloscope.

TEKPROBE™ Interface

The TEKPROBE interface provides a communication path between the probe and the oscilloscope. Contact pins provide power, signal, offset, and data transfer for the probe identification EEPROM.

Figure 4-2 shows the TEKPROBE interface pin functions. Refer to your oscilloscope's service documentation for more detailed specifications.

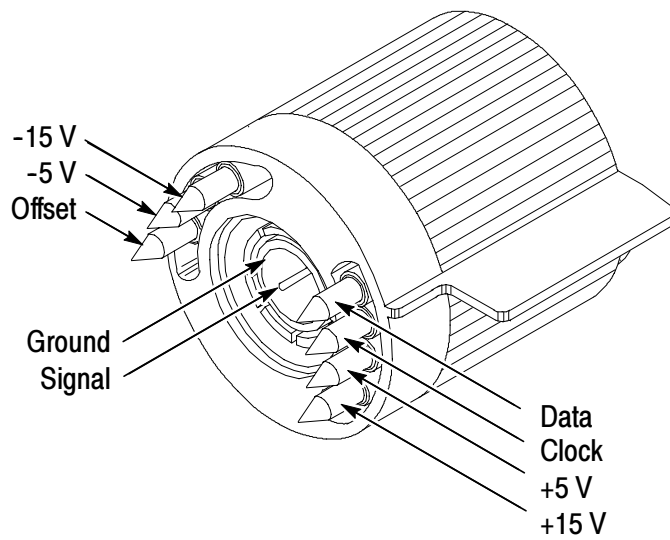


Figure 4-2: TEKPROBE Interface

Performance Verification

Equipment Required

Table 4-1: Equipment Required for Performance Verification

Item Description	Performance Requirement	Recommended Example
Oscilloscope	TEKPROBE interface	Tektronix TDS 684A
TEKPROBE Power Supply		Tektronix 1103
DC Power Supply	10.00 \pm .01 VDC at 1 mA	Tektronix PS281
DC Voltmeter	0.5% accuracy at 2 VDC	Tektronix CDM250
Feedthrough Termination	50 Ω \pm 0.50 Ω	011-0129-00
BNC to BNC coaxial cable	50 Ω coaxial cable	012-1342-00
BNC to Banana adapter	BNC Female to Dual Banana	103-0090-00

Equipment Setup

1. Connect the probe to the oscilloscope.
2. Connect a Y-lead adapter with KlipChip adapters attached to the P6245.
3. Turn on the oscilloscope and enable the channel.
4. Set the channel's vertical offset to 0.00 V.
5. Turn on the power supply and set to +2.00 VDC.
6. Connect the meter to measure the power supply output.
7. Allow 30 minutes for the equipment to warm up.

NOTE. *If your oscilloscope has a probe calibration routine, run it before making any of the following checks. Refer to the oscilloscope's instruction manual for more information.*

Offset Zero

Use this procedure to verify the probe's offset zero.

1. Ground the probe tip by connecting the probe tip to the probe ground socket. (Connecting the two KlipChip adapters together is recommended.)
2. Set the channel's vertical offset to 0.00 V.
3. Measure the displayed DC level.

The displayed DC level should be 0.00 V \pm 50 mV. (\pm 5 mV when measured directly without the probe attenuation factor.)

DC Accuracy

Use this procedure to verify the probe's DC accuracy. Before beginning, read the procedure through completely.

1. Connect the test equipment as shown in Figure 4-3.
2. Attach the probe to a TEKPROBE interface on the 1103 power supply.
3. Set the 1103 offset **VAR/0V** to **0V**.
4. Set the multimeter to read DC volts.
5. Connect the probe tip and ground to the power supply using the Y-lead and KlipChip adapters.
6. Allow 30 minutes for the equipment to warm up.

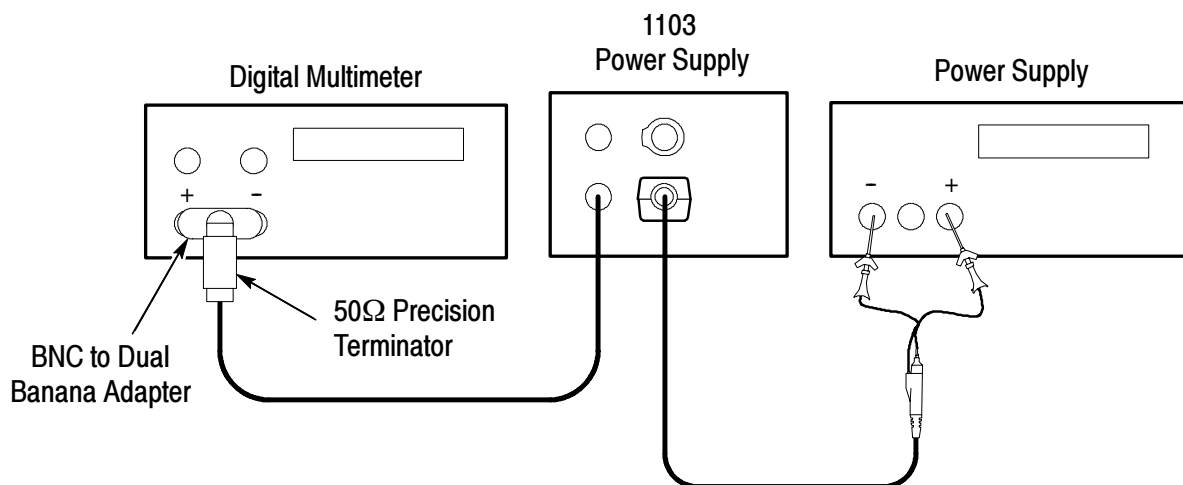


Figure 4-3: P6245 DC Accuracy Setup

7. Set the power supply to +2.000 V. Record the power supply output as V_{max} .
8. Measure and record the multimeter reading as $M1$.
9. Set the power supply to -2.000 V. Record the power supply output as V_{min} .

10. Measure and record the multimeter reading as M2.

NOTE. *If you are unable to set the power supply precisely, record the actual readings and determine the absolute difference.*

|Vmax - Vmin| = difference.

Divide the difference by 10 to account for the probe's ideal attenuation factor. For example: 0.4 is the difference between +2 and -2, divided by 10.

11. Determine the percent error by using the formula below:

$$\%Error = \left[\frac{M1 - M2}{0.4} - 1 \right] \times 100\%$$

The calculated error should be $\leq 2\%$.

NOTE. *An unacceptable error value may result if a low tolerance termination is substituted for the recommended termination.*

Adjustments

The P6245 has two internal controls: offset zero and offset range. These controls rarely need to be adjusted, and only should be changed after a probe calibration and functional check has been performed on the oscilloscope.

In order to make adjustments to the probe, the compensation box top cover needs to be removed with the optional release tool. Refer to page 4-14. Use the optional adjustment tool for making any adjustments.

Adjustment Locations

Refer to Figure 4-4 for the location of the offset zero and offset range controls.

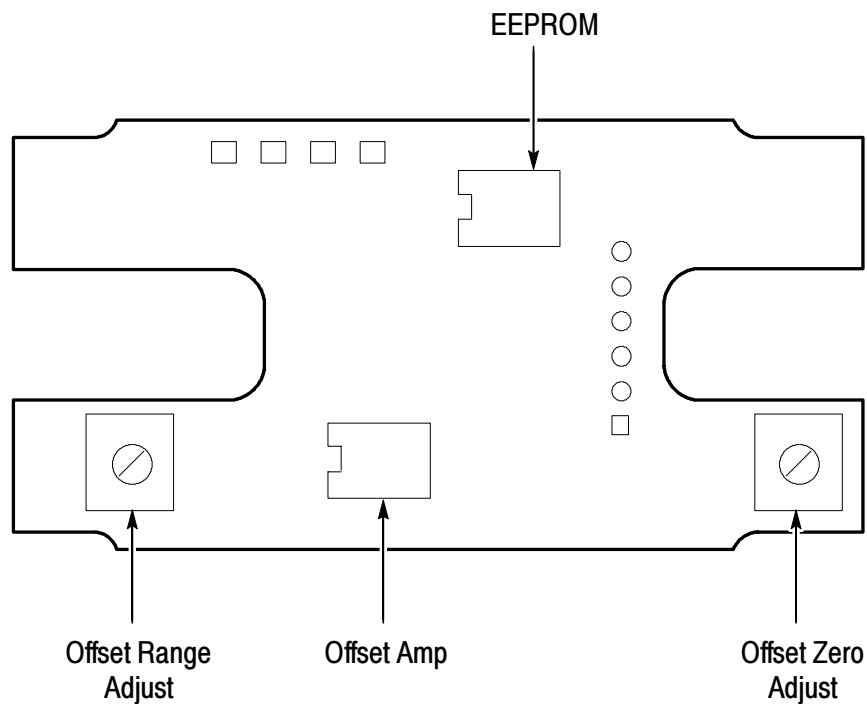


Figure 4-4: P6245 Adjustment Locations

Offset Zero

Use this procedure to adjust the probe's offset zero.

NOTE. *If your oscilloscope supports a probe calibration routine, clear the probe calibration constants at this time.*

If the offset zero is adjusted, perform a functional check of the offset range before closing the compensation box.

1. Ground the probe tip by connecting the probe tip to the probe ground socket.
2. Set the channel's vertical offset to 0.00 V.
3. Measure the displayed DC level.
4. Adjust **Offset Zero** for 0.00 ± 50 mV. (± 5 mV when measured directly without attenuation factor.)

Offset Range

Use this procedure to adjust the offset range of the probe. The offset zero of the probe should be checked before making any adjustment to the offset range.

The offset range of the probe is approximately -10 to +10 volts. The offset range is not warranted; however, this adjustment procedure is provided for your convenience.

NOTE. *If you are using an 1103 Probe Power Supply, make sure that the oscilloscope is set to 50 Ω termination with DC coupling.*

See Figure 4-4 for the location of the offset range adjustment.

1. Set the power supply (using the DMM) to +10.00 VDC. (If 10.00 V cannot be set exactly, set the power supply just below 10.00 V.)
2. Connect the probe to the power supply as shown in Figure 4-3.
3. Set the channel's vertical offset to match the DMM reading.
4. Set the channel's vertical range to 0.1V/div.
5. Observe the DC value of the displayed trace.
6. Adjust **Offset Range** for an oscilloscope reading that matches the DMM reading.

NOTE. *After the offset zero and offset range have been adjusted, perform a probe calibration and functional check to verify performance.*

Maintenance

This section details the maintenance and repair procedures for the P6245.

Replacing TEKPROBE™ Interface Pins

TEKPROBE interface pins can stick and fail to make contact after time. Periodically check to see that each of the interface pins move freely and fully extends out of the interface. If any pin fails to move freely and fully extend, it should be replaced.

To remove a TEKPROBE interface pin, firmly grasp the pointed tip with pliers and pull the pin out of the connector. See Figure 4-5.

No tools are required to install a replacement pin. Insert a new pin into the connector socket as far as possible using finger pressure. If necessary, seat the pin into the connector by pressing the tip gently but firmly against a hard surface, such as a wood block or table top.

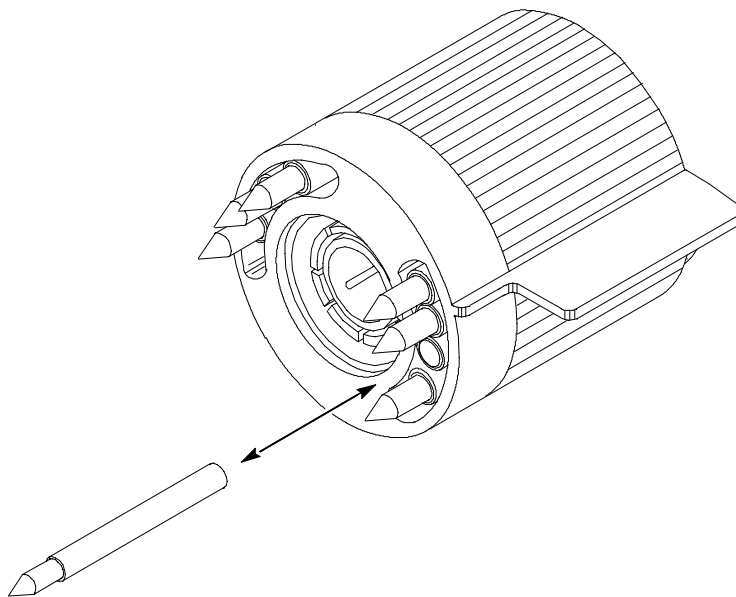


Figure 4-5: Replacing TEKPROBE Interface Pins

Removing and Replacing the Compensation Box Covers

Follow these steps to open the compensation box.

1. Press the optional release tool pins into the compensation box cover catches and gently lift the cover off a small distance. Refer to Figure 4-6.
2. Hold the open edge apart, and use the tool to open the other side of the compensation box.
3. With both sides of the box open, gently separate the two halves of the compensation box.

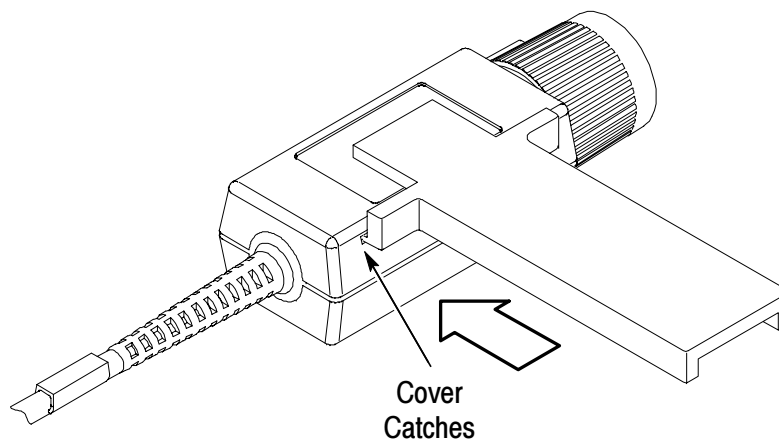


Figure 4-6: Removing the Compensation Box Covers

To replace the covers, follow these steps:

1. Align the TEKPROBE interface and the strain relief notches with the tabs on the cover. Refer to Figure 4-7.
2. Press the cover catches in so that the cover can be lowered.
3. Slide the tab into the notch.
4. Firmly press the pieces together until the cover catches snap into place.

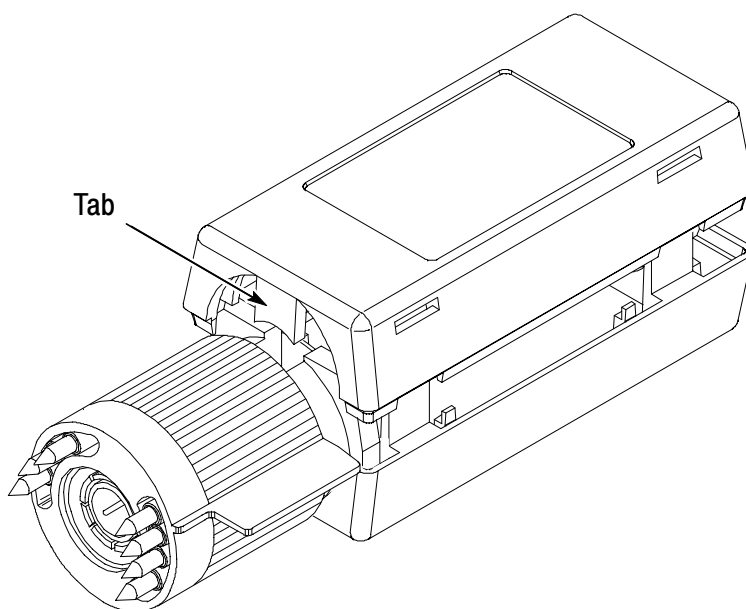


Figure 4-7: Replacing the Compensation Box Cover

Removing and Replacing the TEKPROBE™ Interface Collar

To remove the TEKPROBE interface collar, firmly grasp the compensation box body with one hand, and the TEKPROBE interface collar with the other hand. Firmly pull the interface collar off.

To replace the collar, first note the pin configuration on the compensation box, and their holes in the interface collar. The group of three pins fit through the smaller of the two holes in the interface collar. See Figure 4-8.

Align the tab to the slot and gently press the two pieces together. See Figure 4-8.

Once installed, the TEKPROBE collar should rotate freely to lock and unlock.

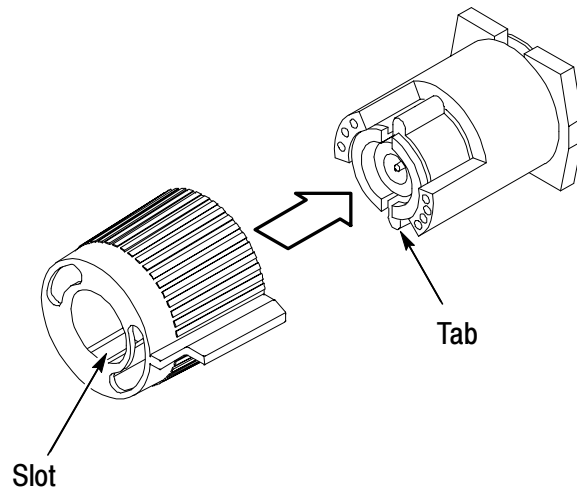


Figure 4-8: Replacing the TEKPROBE collar

Inspection and Cleaning

To prevent damage to probe materials, avoid using chemicals that contain benzine, benzene, toluene, xylene, acetone, or similar solvents.

Do not immerse the probe or use abrasive cleaners.

Dirt may be removed with a soft cloth dampened with a mild detergent and water solution, or isopropyl alcohol.

Replacement Parts

Refer to the Replaceable Parts section for a list of customer replacement parts. Due to the sophisticated design of the P6245, there are no user replaceable parts within the probe.

Preparation for Shipment

If the original packaging is unfit for use or not available, use the following packaging guidelines:

1. Use a corrugated cardboard shipping carton having inside dimensions at least one inch greater than the probe dimensions. The box should have a carton test strength of at least 200 pounds.
2. Put the probe into a plastic bag or wrap to protect it from dampness.
3. Place the probe into the box and stabilize it with light packing material.
4. Seal the carton with shipping tape.

Troubleshooting

This troubleshooting documentation details isolation to either the probe or the TEKPROBE oscilloscope.

To troubleshoot the P6245, the probe must be attached to an operating TEKPROBE interface oscilloscope with the top cover of the compensation box removed. Refer to page 4-14 for instructions on opening the compensation box.

The host instrument should be set to the following settings:

- 50 Ω termination at instrument.
- DC coupling



CAUTION. *Observe caution when probing in the compensation box. Operating voltages will be present. Be careful not to touch or ground energized components.*

Work at a Level 1 ESD workstation when performing troubleshooting. The compensation box contains static sensitive devices.

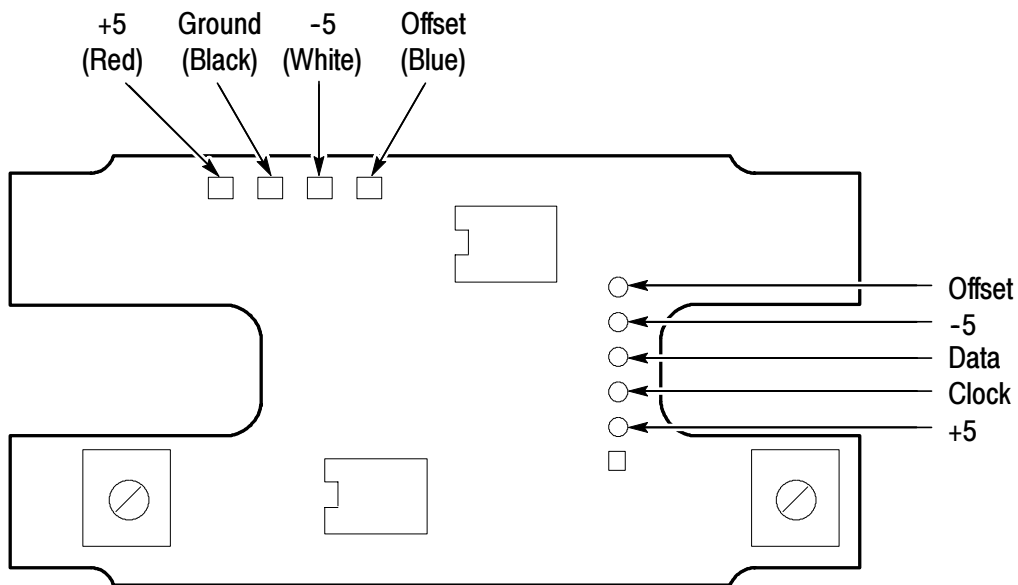


Figure 4-9: Compensation Box Test Point Locations

Refer to Table 4-2 for troubleshooting procedures, and Figure 4-9 for troubleshooting test points.

Table 4-2: Troubleshooting Guide

Symptom	Checks	Result	Action
No Signal Out	Check known signal	No signal.	Continue checks
	Go to Probe Power	Probe power OK.	Turn in probe.
Distorted or nonlinear signal	Instrument set to 50Ω termination?	No	Set termination to 50Ω, or install a feedthrough termination at the instrument input.
		Yes	Continue
Distorted or nonlinear signal	Signal within linear dynamic range? See page 2-1.	No	Set channel's vertical offset to match signal characteristic.

Table 4-2: Troubleshooting Guide (Cont.)

Symptom	Checks	Result	Action
No Offset Adjust (Signal present)	Go to Probe Power Check variation of offset input from host instrument. See Figure 4-9. Signal should vary between +1 V and -1 V.	Probe power OK	Continue checks
		Offset input OK	Turn in probe.
		Offset input bad	Check TEKPROBE interface pins on the compensation box. See page 4-13. Check TEKPROBE interface on host instrument. (Try an adjacent channel.) Repair host instrument
Probe Power	Check the power test points in the compensation box. See Figure 4-9.	Power OK	Continue checks.
		Power bad	Check TEKPROBE interface pins on the compensation box. See page 4-13. Check TEKPROBE interface on host instrument. (Try an adjacent channel.) Repair host instrument



Replaceable Parts



Replaceable Parts

This section contains a list of the P6245's replaceable parts. Use this list to identify and order replacement parts.

Parts Ordering Information

Replacement parts are available from or through your local Tektronix, Inc. service center or representative.

Changes to Tektronix instruments are sometimes made to accommodate improved components as they become available and to give you the benefit of the latest circuit improvements. Therefore, when ordering parts, it is important to include the following information in your order:

- Part number
- Instrument type or model number
- Instrument serial number
- Instrument modification number, if applicable

If a part you order has been replaced with a different or improved part, your local Tektronix service center or representative will contact you concerning any change in the part number.

Using the Replaceable Parts List

The tabular information in the Replaceable Parts List is arranged for quick retrieval. Understanding the structure and features of the list will help you find the all the information you need for ordering replacement parts.

Item Names

In the Replaceable Parts List, an Item Name is separated from the description by a colon (:). Because of space limitations, an Item Name may sometimes appear as incomplete. For further Item Name identification, U.S. Federal Cataloging Handbook H6-1 can be used where possible.

Indentation System

This parts list is indented to show the relationship between items. The following example is of the indentation system used in the Description column:

1	2	3	4	5	<i>Name & Description</i>
					<i>Assembly and/or Component</i>
					<i>Attaching parts for Assembly and/or Component</i>
					<i>(END ATTACHING PARTS)</i>
					<i>Detail Part of Assembly and/or Component</i>
					<i>Attaching parts for Detail Part</i>
					<i>(END ATTACHING PARTS)</i>
					<i>Parts of Detail Part</i>
					<i>Attaching parts for Parts of Detail Part</i>
					<i>(END ATTACHING PARTS)</i>

Attaching parts always appear at the same indentation as the item it mounts, while the detail parts are indented to the right. Indented items are part of, and included with, the next higher indentation. Attaching parts must be purchased separately, unless otherwise specified.

Abbreviations

Abbreviations conform to American National Standards Institute (ANSI) standard Y1.1

CROSS INDEX - MFR. CODE NUMBER TO MANUFACTURER

Mfr. Code	Manufacturer	Address	City, State, Zip Code
80009	TEKTRONIX INC	14150 SW KARL BRAUN DR PO BOX 500	BEAVERTON OR 97077-0001

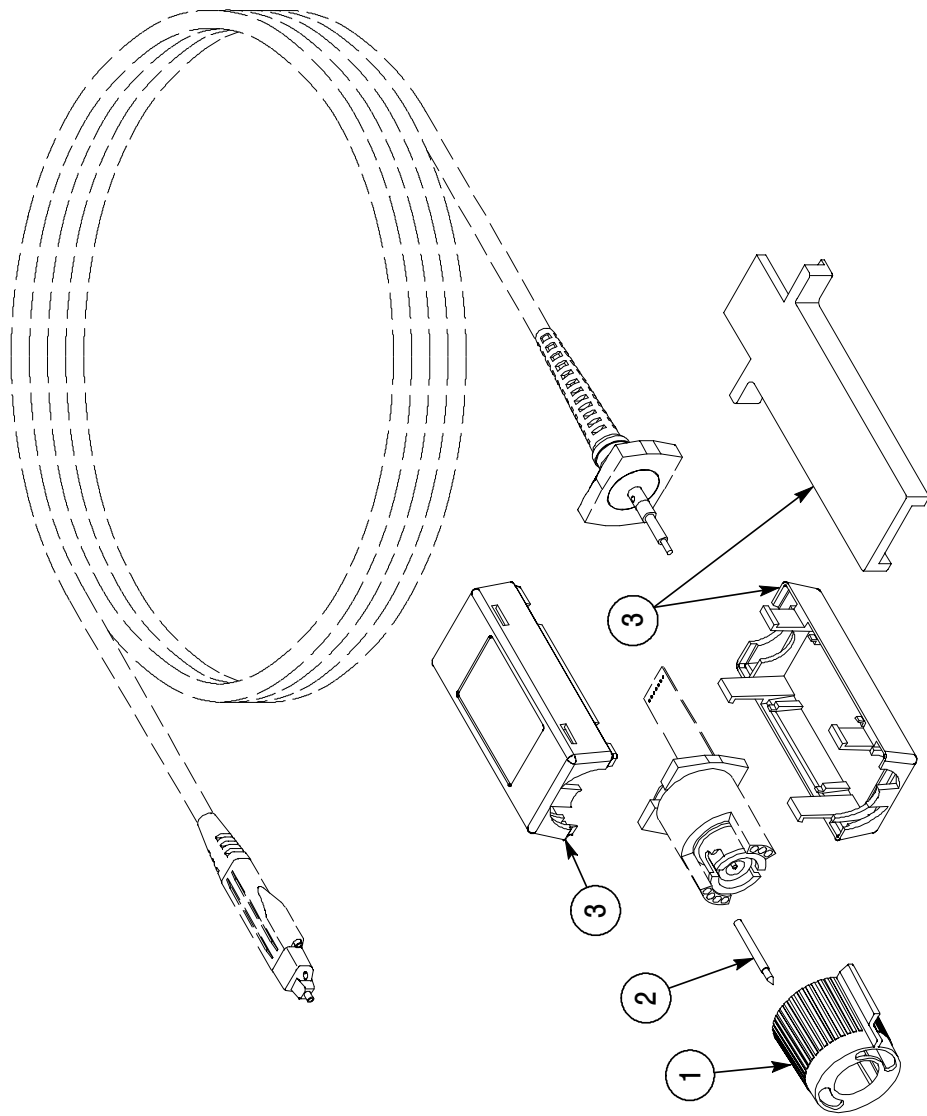


Figure 5-1: P6245 Replaceable Parts

Fig. & Index No.	Tektronix Part No.	Serial No. Effective	Dscont	Qty	12345 Name & Description	Mfr. Code	Mfr. Part No.
5-1	P6245			1	PROBE, FET ACT:> 1.5 GHZ, 10X,< 1PF,TDS SERIES	80009	P6245
-1	205-0191-01			1	SHELL,ELEC CONN:BNC,ABS,DOVE GRAY	80009	205-0191-01
-2	131-3627-01			1	CONTACT,ELEC:GOLD PLATED TIP	80009	131-3627-01
-3	200-4195-00			1	COVER,COMP BOX:TOP AND BOTTOM, W/LABELS & RELEASE TOOLS	80009	200-4195-00

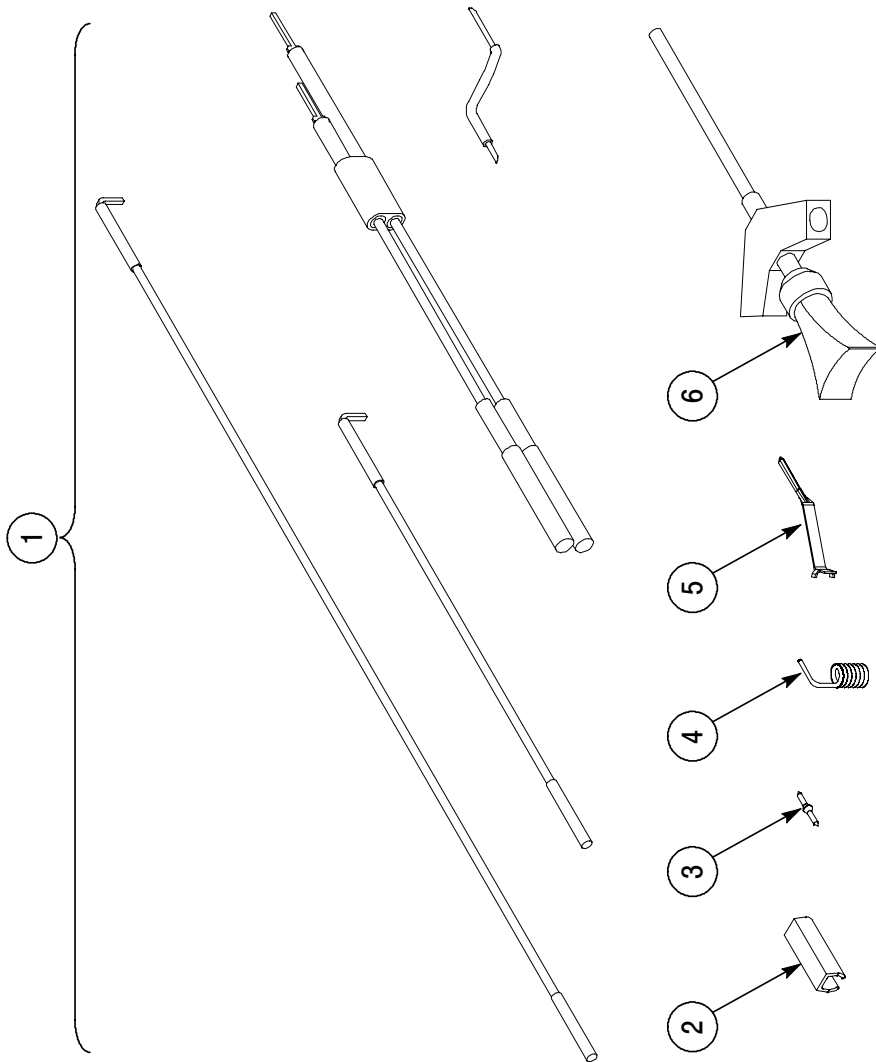


Figure 5-2: P6245 Standard Accessories

Fig. & Index No.	Tektronix Part No.	Serial No. Effective Dscont	Qty	12345 Name & Description	Mfr. Code	Mfr. Part No.
5-2				STANDARD ACCESSORIES		
-1	196-3410-00		1	LEAD,SET:TWO 3.0 L & 6.0 L,STRD,22 AWG & TW O 3.0 L BLACK & WHITE 22 AWG,JACK TIP,TERM CONN MALE PIN,TWO Z-LEAD	80009	196-3410-00
-2	016-1315-00		1	MARKER KIT,ID:CABLE MARKER BAND,2 EACH, VARIOUS COLORS	80009	016-1315-00
-3	131-5638-10		1	PROBE,TIP:PACKAGE OF 10	80009	131-5638-10
-4	-----		2	SPRING ADAPTER:RIGHT ANGLE		
-5	-----		2	CONN,CONTACT:		
-6	-----		4	TIP,PROBE:MICROCKT TEST		
	070-8995-XX		1	MANUAL,TECH:INSTRUCTION,P6245	80009	070-8995-XX

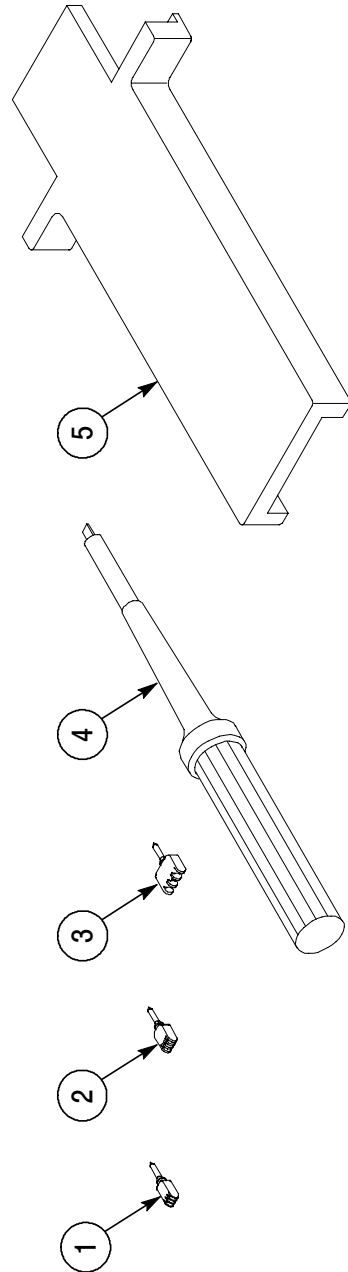


Figure 5-3: P6245 Optional Accessories

Fig. & Index No.	Tektronix Part No	Serial.No. Effective Dscont	Qty	12345 Name & Description	Mfr. Code	Mfr. Part No.
OPTIONAL ACCESSORIES						
5-3-1	SF501		1	ADPTR,SUREFOOT:50 MIL JEDEC,PKG OF 12	80009	SF501
-2	SF502		1	ADPTR,SUREFOOT:25 MIL JEDEC,PKG OF 12	80009	SF502
-3	SF503		1	ADPTR,SUREFOOT:0.5 MM EIAJ,PKG OF 12	80009	SF503
-4	003-1433-01		1	ADJUSTMENT TOOL,PKG OF 5 METAL TIP	80009	003-1433-01
-5	003-1383-00		1	RLSE TOOL,COVER:COMP BOX, POLYCARBONATE	80009	003-1383-00
	1103		1	TEKPROBE IF PS:W/OFFSET 2 CONN	80009	1103
	SMG50		1	TIP,PROBE:MICROCKT TEST, PKG OF 20 (SEE FIGURE 5-2-6)	80009	SMG50

