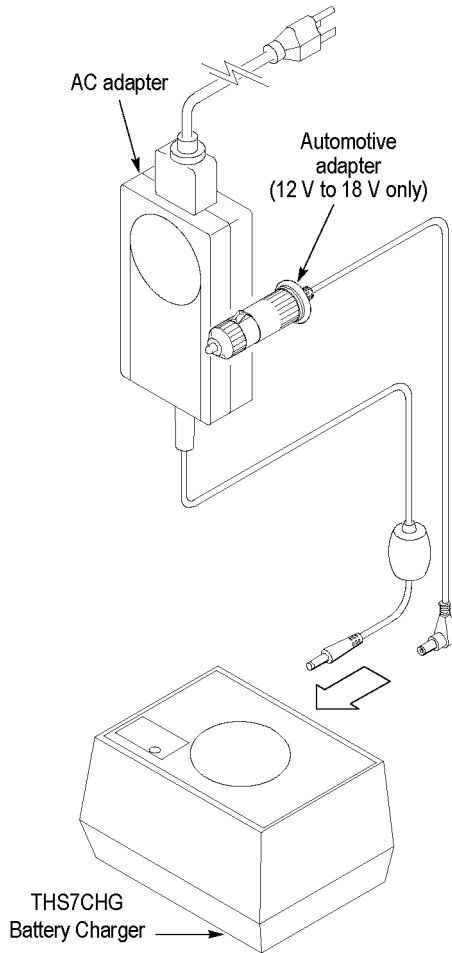


**THS7CHG  
Battery Charger**

**Instructions**



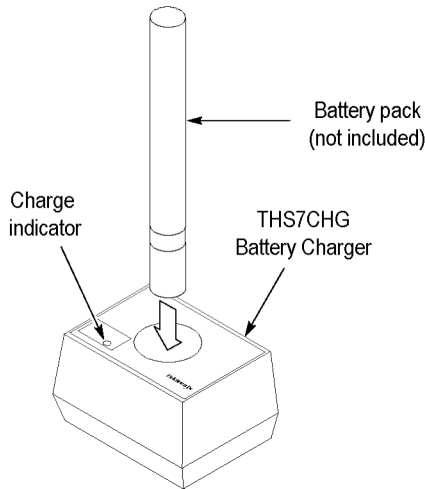
070-9309-04



**Using the Battery Charger**

The THS7CHG is for use with the THS7BAT battery packs.

1. Insert the plug on the adapter cable into the jack on the battery charger.
2. Connect the adapter to the power source.
3. Insert the battery pack into the battery charger. LED indicates state of the battery charge:  
 Steady red - charging at full rate  
 Steady green - ready, trickle charging  
 Flashing red - battery problem, replace battery



**CAUTION.** To avoid damage to the battery charger or AC adapter, do not substitute another AC adapter in place of the one provided or use the AC adapter to power another instrument.

**Table 1: Specifications**

|                          |  |
|--------------------------|--|
| Voltage Input            | 12 to 18 VDC   |
| Input Connector Size     | 2.1 mm   |
| Input Polarity           | Center conductor positive  |
| Automotive Adapter Input | For use with 12 VDC, negative ground systems only<br><br>Do not operate the THS7CHG Battery Charger with the automotive adapter while cranking the vehicle engine or troubleshooting the vehicle electrical system   |
| Charging Information     | Charge in a dry location, not to exceed 45 °C. The THS7CHG Battery Charger will not overcharge the THS7BAT battery pack<br><br>A fully discharged battery pack typically recharges in 2 hours. A partially discharged battery pack recharges in less time<br><br>To maintain peak performance of NiCd batteries, it is recommended to fully discharge them before recharging |
| Charge Time              | 2 hours, typical (fully discharged battery pack)   |
| Safety                   | Only charge THS7BAT battery packs in the THS7CHG Battery Charger<br><br>NiCd batteries must be recycled or disposed of properly  |
| Cleaning                 | Clean with a soft cloth dampened with water or a 75% isopropyl alcohol solution  |
| Replaceable Parts        | There are no user-replaceable parts inside the THS7CHG Battery Charger   |

**Table 2: Accessories**

|  |   |
|--|---|
| Power supply; external; AC-DC 18 W, 100-220 VAC 47-63 HZ input, 12 VDC 1.5 A output (Standard) | Order Tektronix part number 119-7285-XX |
| North America, Power Cord (Standard A0)  | Order Tektronix part number 161-0066-00 |
| Universal Euro, Power Cord (Option A1)   | Order Tektronix part number 161-0066-09 |
| China, Power Cord (Option A10)   | Order Tektronix part number 161-0304-00 |
| U.K., Power Cord (Option A2)   | Order Tektronix part number 161-0066-10 |
| Australia, Power Cord (Option A3)  | Order Tektronix part number 161-0066-13 |
| Japan, Power Cord (Option A6)  | Order Tektronix part number 161-0298-00 |
| Automotive Adapter (5A, 250 V fuse included)   | Order Tektronix part number 174-1734-01 |
| Battery Pack (Not included with the THS7CHG Battery Charger)                                   | Order THS7BAT                           |

**Equipment Recycling.** Production of this equipment required the extraction and use of natural resources. The equipment may contain substances that could be harmful to the environment or human health if improperly handled at the product's end of life. In order to avoid release of such substances into the environment and to reduce the use of natural resources, we encourage you to recycle this product in an appropriate system that will ensure that most of the materials are reused or recycled appropriately.



**Equipment Recycling.** This product complies with the European Union's requirements according to Directive 2002/96/EC on waste electrical and electronic equipment (WEEE). For more information about recycling options, check the Support/Service section of the Tektronix Web site ([www.tektronix.com](http://www.tektronix.com)).

**Battery Recycling.** This product may be accompanied by a Nickel Cadmium (NiCd) or lithium ion (Li-ion) rechargeable battery, which must be recycled or disposed of properly. Please properly dispose of or recycle the battery according to local government regulations.

### Compliance Information

This section lists the EMC (electromagnetic compliance), safety, and environmental standards with which the instrument complies.

**EC Declaration of Conformity – EMC.** Meets intent of Directive 2004/108/EC for Electromagnetic Compatibility. Compliance was demonstrated to the following specifications as listed in the Official Journal of the European Communities:

**EN 61326-1 2006.** EMC requirements for electrical equipment for measurement, control, and laboratory use.<sup>1 2</sup>

- 1 This product is intended for use in nonresidential areas only. Use in residential areas may cause electromagnetic interference.
  - 2 Emissions which exceed the levels required by this standard may occur when this equipment is connected to a test object.
- CISPR 11:2003. Radiated and conducted emissions, Group 1, Class A
  - IEC 61000-4-2:2001. Electrostatic discharge immunity
  - IEC 61000-4-3:2002. RF electromagnetic field immunity
  - IEC 61000-4-4:2004. Electrical fast transient / burst immunity
  - IEC 61000-4-5:2001. Power line surge immunity

- IEC 61000-4-6:2003. Conducted RF immunity
- IEC 61000-4-11:2004. Voltage dips and interruptions immunity

**EN 61000-3-2:2006.** AC power line harmonic emissions

**EN 61000-3-3:1995.** Voltage changes, fluctuations, and flicker

### European Contact.

Tektronix UK, Ltd.  
Western Peninsula  
Western Road  
Bracknell, RG12 1RF  
United Kingdom

**Australia / New Zealand Declaration of Conformity – EMC.** Complies with the EMC provision of the Radiocommunications Act per the following standard, in accordance with ACMA:

- CISPR 11:2003. Radiated and Conducted Emissions, Group 1, Class A, in accordance with EN 61326-1:2006.

### Warranty Information

For warranty information, go to [www.tektronix.com/service](http://www.tektronix.com/service), and then use the provided links to search for your product's warranty.

### Contacting Tektronix

Tektronix, Inc.  
14200 SW Karl Braun Drive  
PO Box 500  
Beaverton, OR 97077  
USA

For product information, sales, service, and technical support:

- In North America, call 1-800-833-9200.
- Worldwide, visit [www.tektronix.com](http://www.tektronix.com) to find contacts in your area.