

User Manual

TDS3AAM Advanced Analysis Application Module

071-0946-01



071094601

Copyright © Tektronix. All rights reserved. Licensed software products are owned by Tektronix or its subsidiaries or suppliers, and are protected by national copyright laws and international treaty provisions.

Tektronix products are covered by U.S. and foreign patents, issued and pending. Information in this publication supercedes that in all previously published material. Specifications and price change privileges reserved.

TEKTRONIX, TEK, TEKPROBE, and TekSecure are registered trademarks of Tektronix, Inc.

DPX, WaveAlert, and e*Scope are trademarks of Tektronix, Inc.

Contacting Tektronix

Tektronix, Inc.
14200 SW Karl Braun Drive
P.O. Box 500
Beaverton, OR 97077
USA

For product information, sales, service, and technical support:

- In North America, call 1-800-833-9200.
- Worldwide, visit www.tektronix.com to find contacts in your area.

Contents

Safety Summary	2
TDS3AAM Overview	5
Installing the TDS3AAM Application Module	6
Accessing Advanced Analysis Menus	6
Measurement Functions	8
DPO Math Functions	12
Advanced Math Functions	14
XY Cursors	21

Safety Summary

To avoid potential hazards, use this product only as specified. While using this product, you may need to access other parts of the system. Read the *General Safety Summary* in other system manuals for warnings and cautions related to operating the system.

Preventing Electrostatic Damage



CAUTION. *Electrostatic discharge (ESD) can damage components in the oscilloscope and its accessories. To prevent ESD, observe these precautions when directed to do so.*

Use a Ground Strap. Wear a grounded antistatic wrist strap to discharge the static voltage from your body while installing or removing sensitive components.

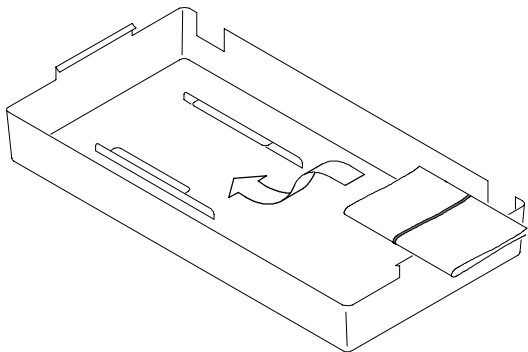
Use a Safe Work Area. Do not use any devices capable of generating or holding a static charge in the work area where you install or remove sensitive components. Avoid handling sensitive components in areas that have a floor or benchtop surface capable of generating a static charge.

Handle Components Carefully. Do not slide sensitive components over any surface. Do not touch exposed connector pins. Handle sensitive components as little as possible.

Transport and Store Carefully. Transport and store sensitive components in a static-protected bag or container.

Manual Storage

The oscilloscope front cover has a convenient place to store this manual.



TDS3AAM Overview

This section provides an overview of the TDS3AAM Advanced Analysis application module features and describes how to access the advanced analysis functions.

You can do the following analysis tasks with the TDS3AAM application module:

- DPO Math.
- Arbitrary math expressions. Allow you to create waveforms using math operations on active and reference waveforms, waveform measurements, up to 2 user-definable variables, and arithmetic expressions.
- Waveform area and cycle area measurements.
- Measurement statistics. Adds min/max or mean/standard deviation readouts to displayed measurements.
- XY waveform cursors.

Installing the TDS3AAM Application Module

Refer to the *TDS3000*, *TDS3000B*, and *TDS3000C Series Application Module Installation* manual for instructions on installing and testing the application module.

Accessing Advanced Analysis Menus

The TDS3AAM Advanced Analysis module adds Area, Cycle Area, and statistical measurement functions to the Measure menu, and DPO math and Advanced Math functions to the Math menu, and XY cursors to the Cursor menu. To access the Advanced Analysis functions, use the following table:

Accessing TDS3AAM Functions

Function	Push front panel button	Push bottom menu button	Push side menu button
Area, Cycle Area measurement	MEASURE	Select Measrmt	-More- button until you display Area and Cycle Area buttons. See page 8.
Measurement Statistics	MEASURE	Statistics	To select Min/Max or Mean/Standard Deviation. See page 9.

Accessing TDS3AAM Functions (cont.)

Function	Push front panel button	Push bottom menu button	Push side menu button
DPO Math	MATH	DPO Math	To select waveform sources and operator. See page 12.
Math waveform expressions	MATH	Advanced Math	To create a math expression, define a variable value, define units, and display the math expression. See page 14.
XY Cursors	CURSOR	Function	To select Waveform XY cursor (you must be in XY display mode to see this menu). See page 21.

Measurement Functions

The TDS3AAM application module adds Area and Cycle Area measurements to the Select Measurement side menu list, and adds a Statistics bottom button to the Measurement menu. To access these measurement menu items, push the **MEASURE** front-panel button.

Area and Cycle Area Measurements

Bottom	Side	Description
Select Measurmnt	Area	Voltage over time measurement. The arithmetic area over the entire waveform or gated region, measured in vertical unit-seconds (for example, volt-seconds or amp-seconds).
	Cycle Area	Voltage over time measurement. The arithmetic area over the first cycle in the waveform, or the first cycle in the gated region, measured in vertical-unit-seconds (for example, volt-seconds or amp-seconds).

Area and Cycle Area Measurements (cont.)

Bottom	Side	Description
Statistics	OFF	Disables displaying statistical information with active measurements.
	Min/Max	Displays minimum and maximum readouts for each active measurement readout.
	Mean/ Standard Deviation n	Displays Mean and Standard Deviation readouts for each active measurement readout. n is the number of measurement values used to calculate the mean and standard deviation values, and ranges from 2 to 1000. Use the general purpose knob to change the value in increments of 1 (fine) or 10 (coarse). The default value is 32.

Waveform Polarity. For area calculation, the waveform area above ground is positive; the waveform area below ground is negative.

Waveform Clipping. For best results, make sure that all input waveforms do not extend beyond the top or bottom graticules of the display (referred to as clipping the waveform). Using clipped waveforms with measurement or math functions can result in incorrect values.

Area. The following equation shows the algorithm for calculating the waveform area for the entire record or gated region.

If $Start = End$ then return the (interpolated) value at $Start$. Otherwise,

$$Area = \int_{Start}^{End} Waveform(t) dt$$

Cycle Area. The following equation shows the algorithm for calculating the waveform area for a single cycle in the record or gated region.

If $StartCycle = EndCycle$ then return the (interpolated) value at $StartCycle$. Otherwise,

$$CycleArea = \int_{StartCycle}^{EndCycle} Waveform(t) dt$$

Min/Max. Min/Max displays a minimum and maximum measurement readout directly below each active measurement. The following is an example of a Min/Max readout.

Ch1 Freq
15.98 MHz
Min: 15.81MHz
Max: 16.17MHz

Mean/Standard Deviation. Mean/Standard Deviation displays a mean (μ) and standard deviation (σ) readout directly below each active measurement. The mean and standard deviation values are running calculations, which means that the current calculation incorporates the results of previous calculations. The following is an example of a Mean/Standard Deviation readout.

Ch1 Freq
15.98 MHz
 μ : 15.99MHz
 σ : 82.92kHz

Screen Readouts. The Min/Max and Mean/Standard Deviation readouts display directly below the waveform measurements, in an area normally used for measurement qualifier text (such as “Low resolution”). If you suspect the measurement, turn off statistics to see if the oscilloscope displays any qualifier text.

DPO Math Functions

The TDS3AAM application module adds the ability to perform dual waveform math on DPO waveforms. The resulting DPO math waveform contains intensity or gray scale information that, like an analog oscilloscope, increases waveform intensity where the signal trace occurs most often. This gives you more information about signal behavior. To access the DPO math menu, push the **MATH** front-panel button, and then push the **DPO Math** bottom button.

DPO Math Menu

Bottom	Side	Description
DPO Math	Set 1st Source to	Selects the first source waveform.
	Set Operator to	Selects the math operator: +, -, or X
	Set 2nd Source to	Selects the second source waveform.

Intensity. Use the WAVEFORM INTENSITY front-panel knob to control the overall waveform intensity as well as how long the waveform data persists on the screen.

Acquisition Modes. Changes to the acquisition mode globally affect all input channel sources except for DPO math, thereby modifying any math waveforms using them. For example, with the acquisition mode set to Envelope, a Ch1 + Ch2 math waveform will receive enveloped channel 1 and channel 2 data, which results in an enveloped math waveform.

Clearing Data. Clearing the data in a waveform source causes a null waveform to be delivered to any math waveform that includes that source, until the source receives new data.

Advanced Math Functions

The TDS3AAM application module lets you create a custom math waveform expression that can incorporate active and reference waveforms, measurements, and/or numeric constants. To access the Advanced Math menu, push the **MATH** front-panel button, and then push the **Advanced Math** bottom button.

Advanced Math Menu

Bottom	Side	Description
Advanced Math	Edit Expression	Displays a screen in which you can create or edit the expression that defines the math waveform. See page 15.
	VAR1, VAR2 n.nnnn E nn	Assigns numeric values to two variables. You can use these variables as part of an expression. Push the side menu button to select between the base (n.nnn) and the exponent (nn) field. Use the general purpose knob to enter values.
	Define Units	Displays a screen in which you can enter user-defined unit labels. These labels replace the unknown “?” readout value.

Advanced Math Menu (cont.)

Bottom	Side	Description
Advanced Math (cont.)	Display Expression	Displays the current advanced math expression on the graticule.

Edit Expression Screen. The Edit Expression screen lets you create arbitrary math expressions. Refer to page 16 for a description of the Edit Expression controls.

Expression cursor Expression field Expression list

Ch1 Ch2 Ch3 Ch4 Ref1 Ref2 Ref3 Ref4 FFT(Intg(Diff(Period(Freq(Delay(Rise(Fall(BurstWidth(Phase(PosDutyCycle(NegDutyCycle(PosWidth(NegWidth(PosOverShoot(NegOverShoot(PeakPeak(Amplitude(High(Low(Max(Min(Mean(CycleMean(Rms(CycleRms(Area(CycleArea(VAR1 VAR2 + - * / () ^ % 1 2 3 4 5 6 7 8 9 0 . E

Edit Expression Screen

Menu item	Description
Expression cursor	Location in expression field where the next expression element is entered.
Expression field	Area that displays the entered expression elements, up to a maximum of 127 characters.
Expression list	The list of available elements. Use the general purpose knob to select an element. You can only select elements that are syntactically correct for the current math expression. Non-selectable elements are grayed out. Refer to page 17 for more expression element information.

Edit Expression Controls. The Edit Expression screen provides controls and menu items to create math expressions. The following table describes the Edit Expression controls.

Edit Expression Controls

Control	Description
General purpose knob	Selects (highlights) an element in the expression list.
Enter Selection button	Adds the selected element to the expression field. You can also use the front panel SELECT button.

Edit Expression Controls (cont.)

Control	Description
Back Space button	Erases the last-entered element from the expression field.
Clear button	Clears (erases) the entire expression field.
OK Accept button	Closes the Edit Expression screen and displays the math expression waveform.
MENU OFF button	Closes the Edit Expression screen and returns to the previous menu without changing the math expression.

Expression List. The following gives more information on the expression list items.

Expression List

Menu item	Description
Ch1-Ch4 Ref1-Ref4	Specifies a waveform data source.
FFT(Intg(Diff(Executes a Fast Fourier Transform, integration, or differentiation operation on the expression that follows. The FFT operator must be the first (left-most) operator in an expression. All these operations must end with a right parenthesis.

Expression List (cont.)

Menu item	Description
Period(- CycleArea(Executes the selected measurement operation on the waveform (active or reference) that follows. All these operations must end with a right parenthesis.
Var1, Var2	Adds the user-defined variable to the expression.
+, -, ×, ÷	Executes an addition, subtraction, multiplication, or division operation on the following expression. + and - are also unary; use - to negate the expression that follows.
() ,	Parentheses provide a way to control evaluation order in an expression. The comma is used to separate the “from” and “to” waveforms in Delay and Phase measurement operations.
1-0, ., E	Specifies a numeric value in (optional) scientific notation.

User-Defined Variables. This feature lets you define two variables, such as math constants, that you can then use as part of a math expression. The side menu button toggles between selecting the numeric field and selecting the scientific notation field (E). Use the general purpose knob to enter values in either field. Push the **COARSE** front panel button to quickly enter larger numbers in the numeric field.

Edit Math Units Controls. The Edit Math Units screen provides controls and menu items to create custom units for math waveforms. Whenever the oscilloscope cannot determine the horizontal or vertical units for a measurement, it displays the undefined unit character (?). The user-defined units function replaces the undefined horizontal or vertical unit character with the user-defined vertical or horizontal unit for math waveforms only.

The following table describes the Edit Math Units controls.

Edit Math Units Controls

Control	Description
General purpose knob	Selects (highlights) a character in the label list.
Up Arrow, Down Arrow	Selects the Vertical or Horizontal label in the unit label field.
OK Accept button	Closes the Edit Math Units screen and displays the math menu.
Enter Character button	Adds the selected character at the cursor position in the unit field.
Left Arrow, Right Arrow	Moves the unit label field cursor to the left or right.

Edit Math Units Controls (cont.)

Control	Description
Back Space button	Erases the character to the left of the cursor position.
Delete button	Deletes the character at the cursor position in the unit label field.
Clear button	Clears (erases) all characters in the current unit field (Horizontal or Vertical).
MENU OFF button	Closes the Edit Math Units screen and returns to the previous menu without applying the user-defined units.

Math Expression Example.

The following expression calculates the energy in a waveform, where Ch1 is in volts and Ch2 is in amps:

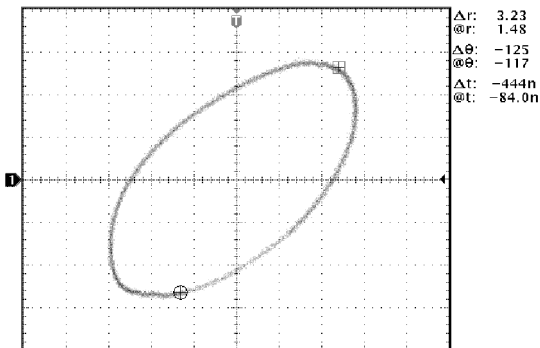
$\text{Intg}(\text{Ch1} \times \text{Ch2})$

Taking an Area measurement on the resulting waveform displays the waveform power value.

XY Cursors

The TDS3AAM application module adds XY and XYZ waveform measurement cursors. These cursor functions are part of the Cursor menu. You must display an XY waveform (**DISPLAY > XY Display > Triggered XY** (or **Gated XYZ**)) in order to access the XY cursor menu items.

The following figure shows XY cursors in Waveform mode with polar readouts.



XY Cursor Menu

Bottom	Side	Description
Function	Off	Turns XY cursors off.
	Waveform	Turns waveform or graticule cursor modes on. Use the front-panel SELECT button to select which cursor to move (the active cursor). Use the general purpose knob to move the active cursor.
	Graticule	
Mode	Independent	Sets cursors to move independently.
	Tracking	Sets cursors to move together when the reference cursor is selected.
Readout	Rectangular	Displays values at and between the cursor positions as X and Y readouts.
	Polar	Displays values at and between the cursor positions as radius and angle readouts.
	Product	Displays product values of the active cursor and the difference vector of the two cursors.
	Ratio	Displays ratio values of the active cursor and the difference vector of the two cursors.

0, 0 Origin. The XY waveform origin is the 0 volt point of each source waveform. Positioning both source waveform 0 volt points on the vertical center graticule places the origin in the center of the screen. All actual (@) measurements are referenced to the XY waveform's 0, 0 origin, and show the value of the active cursor.

Waveform Mode. The Waveform mode uses cursors to measure the actual waveform data to determine X and Y values and units. While in Waveform mode, the XY cursors always lock onto the XY waveform, and cannot be positioned off the XY waveform.

Graticule Mode. The Graticule function does not connect screen cursor position to waveform data. Instead, the display is like a piece of graph paper, where the values of the divisions are set by each channel's vertical scale. The graticule cursor readouts display the XY value of the screen, not the waveform data. Because graticule cursors are not associated with waveform data, the cursors are not locked to the XY waveform and can be positioned anywhere on the graticule.

All readout types (Polar, Rectangular, Product, and Ratio) are available in both Waveform and Graticule cursor modes. However, no time readouts are displayed in Graticule mode because the cursors are not measuring the waveform record.

Turning XY Cursors Off. To turn off the XY cursors, push the front panel **CURSOR** button, and then push the Cursor Function **Off** side menu button.

Reference and Delta Cursors. Both Waveform and Graticule modes use two XY cursors: a reference cursor (\boxplus), and a delta cursor (\oplus). All difference (Δ) measurements are measured from the reference cursor to the delta cursor.

Switching Between XY and YT Display. You can switch between XY and YT display mode to see the location of the Waveform cursors in the YT waveform. The waveform record icon at the top of the graticule also shows the relative cursor positions of the Waveform cursors in the waveform record.

Waveform Sources. You can use XY cursors on active acquisitions, single sequence acquisitions, and reference waveforms. You must store both XY source waveforms in order to recreate an XY waveform. The X axis waveform must be stored in Ref1.

Rectangular Readouts. The Rectangular readouts display the following information:

$\Delta X, \Delta Y$	The X and Y difference from the reference cursor to the delta cursor. A negative X value means that the delta cursor is to the left of the reference cursor on the X axis. A negative Y value means that the delta cursor is below the reference cursor on the Y axis
@X, @Y	The actual X and Y values of the active (selected) cursor.
Δt (Waveform Mode)	The time from the reference cursor to the delta cursor. A negative value means that the delta cursor is earlier in the waveform record than the reference cursor.
@t (Waveform Mode)	The time from the trigger point to the active cursor. A negative value means that the active cursor is earlier in the waveform record than the trigger point.

The following is an example of Rectangular readouts in Waveform mode:

$\Delta X: 1.43V$ @X: -140mV
 $\Delta Y: 2.14V$ @Y: 480mV
 $\Delta t: -660ns$ @t: 1.61 μs

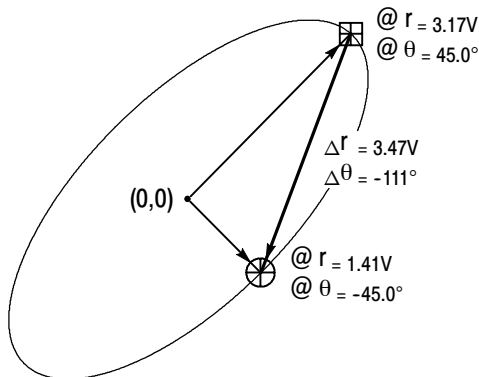
Polar Readouts. The Polar readout displays the following information:

$\Delta r, \Delta \theta$	The radius and angle from the reference cursor to the delta cursor.
@r, @ θ	The radius and angle from the XY waveform origin to the active (selected) cursor.
Δt (Waveform Mode)	The time from the reference cursor to the delta cursor. A negative value means that the delta cursor is earlier in the waveform record than the reference cursor.
@t (Waveform Mode)	The time from the trigger point to the active cursor. A negative value means that the active cursor is earlier in the waveform record than the trigger point.

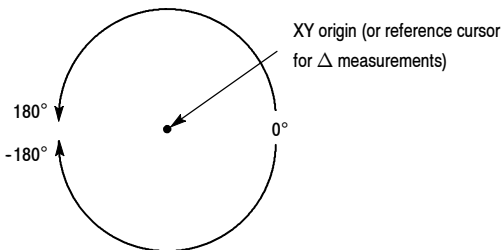
The following is an example of Polar readouts in Waveform mode:

$\Delta r: 2.90V$ @r: 1.27V
 $\Delta \theta: 32.6^\circ$ @ $\theta: 179^\circ$
 $\Delta t: -4.20\mu s$ @t: 8.36 μs

The following figure shows an example of how the oscilloscope calculates the difference vector from the radius and angle values of the two cursors.



The following figure shows how the oscilloscope determines polar angle values.



Product Readouts. The Product readouts displays the following information:

$\Delta X \times \Delta Y$	The product of the difference vector's X component multiplied by the difference vector's Y component.
$@X \times @Y$	The product of the active cursor's X value multiplied by the active cursor's Y value.
Δt (Waveform Mode)	The time from the reference cursor to the delta cursor. A negative value means that the delta cursor is earlier in the waveform record than the reference cursor.
$@t$ (Waveform Mode)	The time from the trigger point to the active cursor. A negative value means that the active cursor is earlier in the waveform record than the trigger point.

The following is an example of Product readouts in Waveform mode:

$\Delta X \times \Delta Y: 7.16VV$

$@X \times @Y: 1.72VV$

$\Delta t: -4.68\mu s$ $@t: 8.84\mu s$

Ratio Readouts. The Ratio readouts displays the following information:

$\Delta X \div \Delta Y$	The ratio of the difference vector's Y component divided by the difference vector's X component.
$@X \div @Y$	The ratio of the active cursor's Y value divided by the active cursor's X value.
Δt (Waveform Mode)	The time from the reference cursor to the delta cursor. A negative value means that the delta cursor is earlier in the waveform record than the reference cursor.
$@t$ (Waveform Mode)	The time from the trigger point to the active cursor. A negative value means that the active cursor is earlier in the waveform record than the trigger point.

The following is an example of Ratio readouts in Waveform mode:

$\Delta Y \div \Delta X: 1.22VV$

$@Y \div @X: 1.10VV$

$\Delta t: -4.68ms$ $@t: 8.84ms$