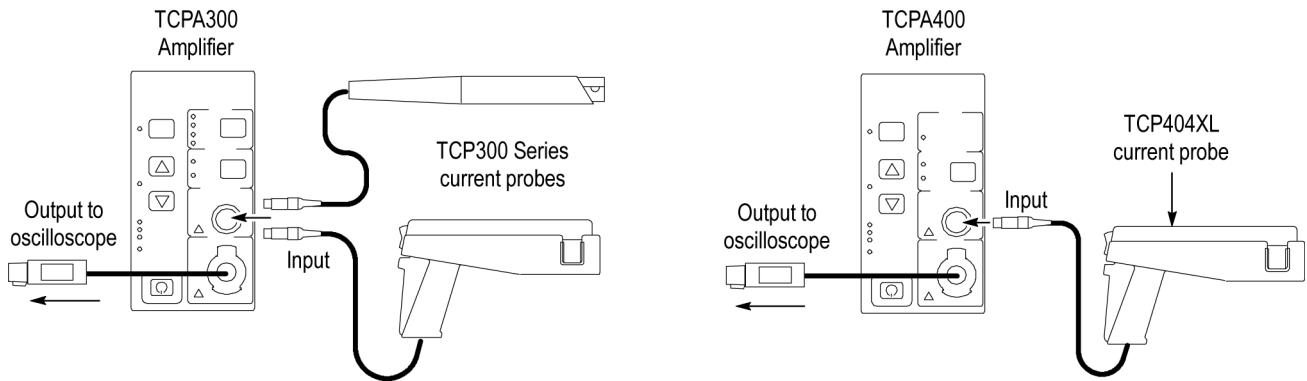


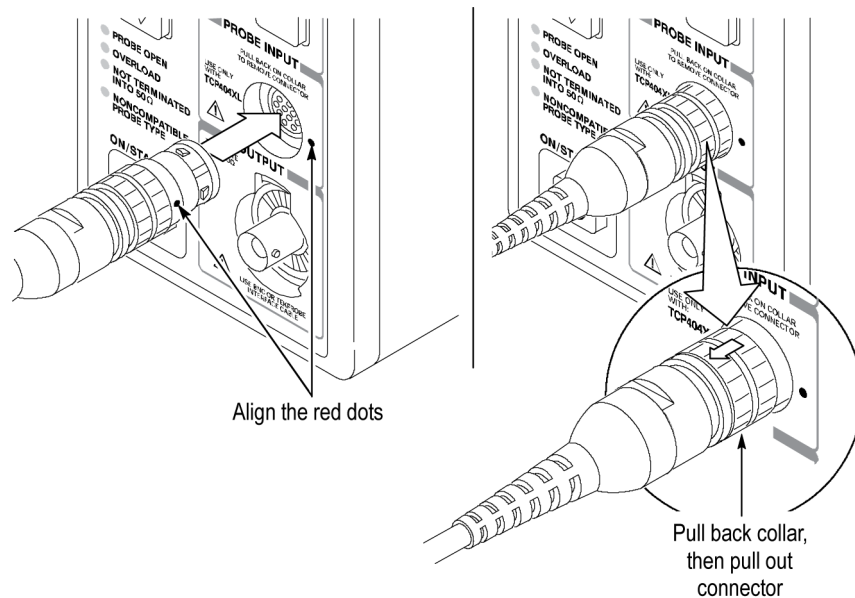
TCP312, TCP305, TCP303, and TCP404XL AC/DC Current Probes

TCP312, TCP305, and TCP303 Current Probes are designed to work with the TCPA300 Current Probe Amplifier. The TCP404XL Current Probe is designed to work with the TCPA400 Current Probe Amplifier.



Getting Started

To connect the current probe to the amplifier, align the red dots on the two connectors and gently push the probe connector in. Do not twist the connector.



Degauss the probe before you take measurements: Press the PROBE DEGAUSS AUTOBALANCE button and wait 5 seconds for the LED to turn green. See your amplifier manual for complete details.



Specifications

- TCP312: DC–100 MHz, 30 A DC
- TCP305: DC–50 MHz, 50 A DC
- TCP303: DC–15 MHz, 150 A DC
- TCP404XL: DC–2 MHz, 500 A DC (750 A DC derated with duty cycle)

Standard Accessories

The following accessories are shipped with the probes:

Accessory	Tektronix part number
Probe cover	
(TCP305 and TCP312)	016-1923-00
(TCP303 and TCP404XL)	016-1924-00
Probe ground lead, 6 inch length (TCP305 and TCP312 only)	119-3120-01
Instruction Sheet	071-1185-01
Certificate of Traceable Calibration	—

Recommended Accessories

The following accessories can be ordered for your probes:

Accessory	Tektronix part number
Deskew Fixture	067-1478-00
Travel Case	016-1922-00

Related Documentation



WARNING. To reduce risk of shock or fire, refer to the *TCPA300/400 Amplifiers & TCP300/400 Series AC/DC Current Probes User Manual*, Tektronix part number 077-1183-XX, before using the probe.

The TCPA300/400 Amplifiers & TCP300/400 Series AC/DC Current Probes User Manual contains a complete list of specifications, accessories, and operating information for the probes.

Warranty Information

For warranty information, go to www.tektronix.com/warranty.