

Quick Reference Manual



SPG600 & SPG300 Sync Pulse Generators

071-1341-02

This document supports firmware version 1.00
and above.

www.tektronix.com

Copyright © Tektronix. All rights reserved. Licensed software products are owned by Tektronix or its subsidiaries or suppliers, and are protected by national copyright laws and international treaty provisions.

Tektronix products are covered by U.S. and foreign patents, issued and pending. Information in this publication supercedes that in all previously published material. Specifications and price change privileges reserved.

TEKTRONIX and TEK are registered trademarks of Tektronix, Inc.

Contacting Tektronix

Tektronix, Inc.
14200 SW Karl Braun Drive
P.O. Box 500
Beaverton, OR 97077
USA

For product information, sales, service, and technical support:

- In North America, call 1-800-833-9200.
- Worldwide, visit www.tektronix.com to find contacts in your area.

Warranty 2

Tektronix warrants that this product will be free from defects in materials and workmanship for a period of one (1) year from the date of shipment. If any such product proves defective during this warranty period, Tektronix, at its option, either will repair the defective product without charge for parts and labor, or will provide a replacement in exchange for the defective product. Parts, modules and replacement products used by Tektronix for warranty work may be new or reconditioned to like new performance. All replaced parts, modules and products become the property of Tektronix.

In order to obtain service under this warranty, Customer must notify Tektronix of the defect before the expiration of the warranty period and make suitable arrangements for the performance of service. Customer shall be responsible for packaging and shipping the defective product to the service center designated by Tektronix, with shipping charges prepaid. Tektronix shall pay for the return of the product to Customer if the shipment is to a location within the country in which the Tektronix service center is located. Customer shall be responsible for paying all shipping charges, duties, taxes, and any other charges for products returned to any other locations.

This warranty shall not apply to any defect, failure or damage caused by improper use or improper or inadequate maintenance and care. Tektronix shall not be obligated to furnish service under this warranty a) to repair damage resulting from attempts by personnel other than Tektronix representatives to install, repair or service the product; b) to repair damage resulting from improper use or connection to incompatible equipment; c) to repair any damage or malfunction caused by the use of non-Tektronix supplies; or d) to service a product that has been modified or integrated with other products when the effect of such modification or integration increases the time or difficulty of servicing the product.

THIS WARRANTY IS GIVEN BY TEKTRONIX WITH RESPECT TO THE PRODUCT IN LIEU OF ANY OTHER WARRANTIES, EXPRESS OR IMPLIED. TEKTRONIX AND ITS VENDORS DISCLAIM ANY IMPLIED WARRANTIES OF MERCHANTABILITY OR FITNESS FOR A PARTICULAR PURPOSE. TEKTRONIX' RESPONSIBILITY TO REPAIR OR REPLACE DEFECTIVE PRODUCTS IS THE SOLE AND EXCLUSIVE REMEDY PROVIDED TO THE CUSTOMER FOR BREACH OF THIS WARRANTY. TEKTRONIX AND ITS VENDORS WILL NOT BE LIABLE FOR ANY INDIRECT, SPECIAL, INCIDENTAL, OR CONSEQUENTIAL DAMAGES IRRESPECTIVE OF WHETHER TEKTRONIX OR THE VENDOR HAS ADVANCE NOTICE OF THE POSSIBILITY OF SUCH DAMAGES.

Table of Contents

Preface	iii
Related Manuals	iii
Contents of the Product CD-ROM	iii
Front-Panel Buttons and Indicators	1
Rear-Panel Connectors	3
Menus	5
Video Menu	5
Audio Menu	14
Genlock Menu	18
System Menu	20
Rackmounting the Instrument (SPG600 Only)	27
Minimum Tool and Equipment List	27
Installation Instructions	28

List of Figures

Figure 1: SPG600 front panel	1
Figure 2: SPG300 front panel	1
Figure 3: SPG600 rear panel (Option 0203)	3
Figure 4: SPG300 rear panel	3
Figure 5: Video menu diagram	6
Figure 6: Test signal (analog) submenu diagram	7
Figure 7: Test signal (SDI) submenu diagram	8
Figure 8: Timing (analog) submenu diagram	9
Figure 9: Timing (SDI) submenu diagram	9
Figure 10: Overlay submenu diagram	10
Figure 11: Logo submenu diagram	11
Figure 12: ID text submenu diagram	12
Figure 13: SDI parameters submenu	13
Figure 14: Audio menu diagram	14
Figure 15: AES/EBU submenu diagram	15
Figure 16: Embedded submenu diagram	16
Figure 17: Audio channel submenu diagram	17
Figure 18: Genlock menu diagram	18
Figure 19: Genlock timing submenu diagram	19
Figure 20: System menu diagram	20
Figure 21: Preset submenu diagram	21
Figure 22: Network information submenu diagram	22
Figure 23: Network setup submenu diagram	23
Figure 24: GPI submenu diagram	24
Figure 25: System information submenu diagram	25
Figure 26: System setup submenu diagram	25
Figure 27: Configuration submenu diagram	26
Figure 28: Assembly of slide-out track assemblies (right slide-out track)	29
Figure 29: Installation of slide-out track assemblies in rack (top view) ..	30

Preface

This quick reference manual for the SPG600 and SPG300 Sync Pulse Generators provides the following information:

- Identifies front-panel buttons and indicators
- Identifies rear-panel connectors
- Lists and describes menus
- Rackmounting the instrument (SPG600 only)

For more detailed information on how to use the sync pulse generator, refer to the *SPG600 & SPG300 Sync Pulse Generators User Manual* included on the product CD-ROM.

Related Manuals

The following related documents are also available:

- The *SPG600 & SPG300 Sync Pulse Generators User Manual* provides basic operating information about the SPG600 and SPG300. This manual is provided as an Adobe PDF document on the product CD-ROM. You can order the printed User Manual as an optional accessory (Tektronix part number 071-1340-XX).
- The *SPG600 & SPG300 Sync Pulse Generators Service Manual* (Tektronix part number 071-1342-XX) is an optional accessory that provides module-level service information, as well as a complete performance verification procedure.

Contents of the Product CD-ROM

The *SPG600 & SPG300 Application Software* CD-ROM contains the following folders:

Manual Folder. This folder contains the *SPG600 & SPG300 Sync Pulse Generators Quick Reference Manual* and the *SPG600 & SPG300 Sync Pulse Generators User Manual* in PDF file format.

Samples Folder. This folder contains sample logo graphics that can be overlaid on an output test signal. You can download the logo graphics to the instrument using the remote interface. For information about using the remote interface, refer to the *SPG600 & SPG300 Sync Pulse Generators User Manual*.

Signal Library Folder. This folder contains two downloadable files (.dnl) of test signals for the sync pulse generator. Use these files if any test signal file was mistakenly damaged. You can download the files to the instrument using the remote interface. For information about using the remote interface, refer to the *SPG600 & SPG300 Sync Pulse Generators User Manual*.

Tools Folder. This folder contains the Logo Generator application that provides the capability to convert a Windows bitmap file to a Logo file. For information on how to install and use Logo Generator, refer to the *SPG600 & SPG300 Sync Pulse Generators User Manual*.

Upgrade Folder. This folder contains the latest version of the SPG600 & SPG300 firmware. For information on how to upgrade the firmware, refer to the Readme file in the folder.

Front-Panel Buttons and Indicators

This section describes the sync pulse generator front-panel buttons and indicators.

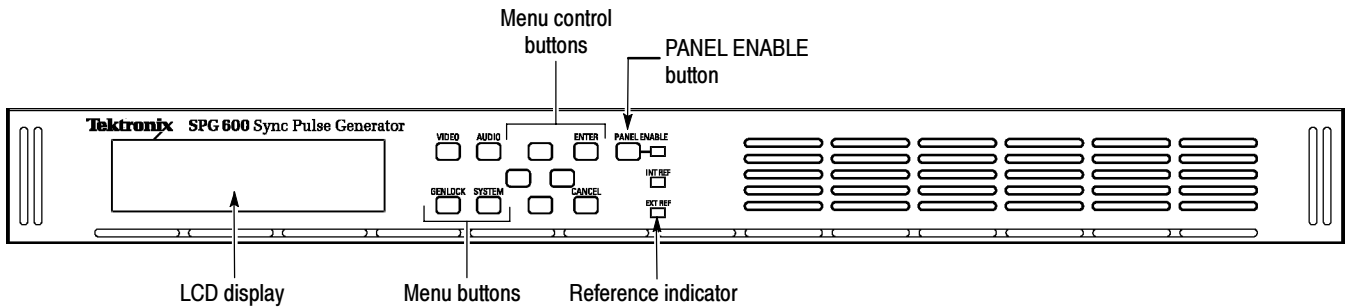


Figure 1: SPG600 front panel

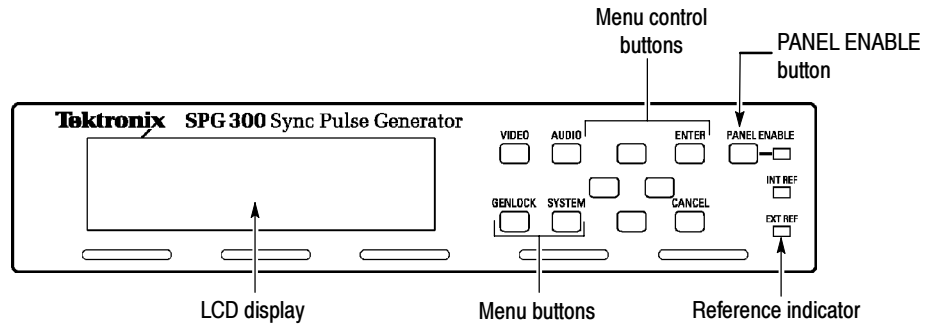


Figure 2: SPG300 front panel

LCD Display Use the two-line, 20-character per line LCD display to show instrument settings. You can adjust the contrast of the LCD display using the System menu.

VIDEO Button Use this button to access the Video menu. The Video menu lets you select output signal and set video parameters.

AUDIO Button Use this button to access the Audio menu. The Audio menu lets you set audio parameters such as amplitude and frequency.

GENLOCK Button Use this button to access the Genlock menu. The Genlock menu lets you set genlock parameters such as genlock source and genlock timing.

SYSTEM Button Use this button to access the System menu. The System menu lets you set system related parameters, such as output configuration and network parameters.

Menu Control Buttons Use these buttons to control the menu display.

Arrow Buttons. Use the arrow buttons to scroll through the available menu items.

ENTER Button. Use the ENTER button to enable the selected menu item.

CANCEL Button. Use the CANCEL button to disable the selected menu item and return to the previous menu item.

PANEL ENABLE button Use this button to enable or disable the front-panel buttons. When pressing this button for about one second while the front-panel buttons are enabled, all of the front-panel buttons are disabled. If you have selected a timeout period in the FRONT PANEL DISABLE item in the System menu, and that period passes without a button push, all of the front-panel buttons are also disabled.

Press and hold this button for about three seconds to enable the front-panel buttons. The timeout counter is restarted (if the timeout period is already set) and turns the indicator next to the button lights to show that the front-panel is enabled.

You can set the timeout period using the System menu.

Reference Indicator The reference indicators indicate whether the sync pulse generator is locked to its internal oscillator or an external reference signal.

INT.REF. This indicator lights when the sync pulse generator is using its internal reference oscillator.

EXT.REF. This indicator lights when the sync pulse generator is locked to an external reference signal. A blinking indicator means that the sync pulse generator is using the external reference signal but is unable to lock to the signal.

Rear-Panel Connectors

This section describes the sync pulse generator rear-panel connectors.

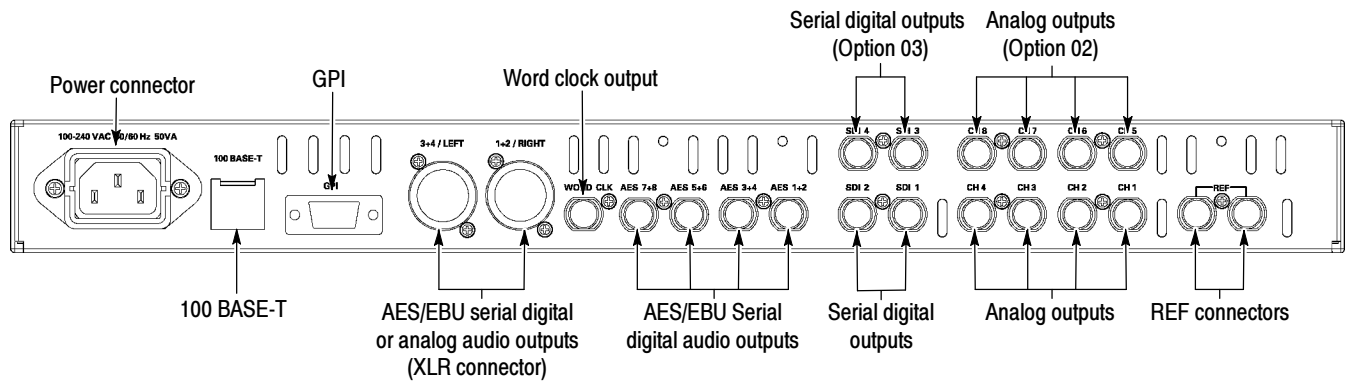


Figure 3: SPG600 rear panel (Option 0203)

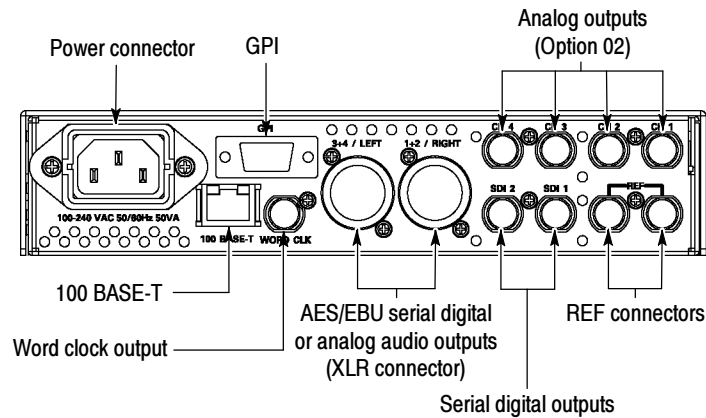


Figure 4: SPG300 rear panel

Power Connector

The sync pulse generator is designed to operate from a single-phase power source with the neutral conductor at or near earth ground. Only the line conductor is fused for over-current protection. A protective ground connection through the grounding conductor in the power cord is essential for safe operation.



WARNING. To avoid dangerous electric shock, do not connect power to the instrument when the top cover is off. Dangerous potentials are present on the Power circuit board.

The sync pulse generator operates from an AC line frequency of 48 to 63 Hz, over the range of 85 to 250VAC, without the need for configuration. Refer to the *SPG600 & SPG300 Sync Pulse Generators User Manual* for additional information on power and environment requirements.

100 BASE-T	Connects this port to connect to your local Ethernet network. You can control the sync pulse generator remotely through the port. You can also upload and download signal files, logo files and preset files through the port.
GPI (General Purpose Interface)	A 9-pin subminiature D-type connector used as a ground closure interface for recalling one of the seven preset, outputting an alarm signal, and displaying an alarm status on the LCD.
REF	Loophrough connectors for an external reference signal. These inputs accept the NTSC/PAL black burst signals and CW signals. Be sure to install a 75 Ω termination on the unused connector.
CH1, CH2, CH3, and CH4	Analog black or analog test signal outputs. By default, the CH1, CH2, and CH3 connectors output black burst signals, and the CH4 connector outputs an analog test signal. Use the System menu to change the output configuration.
CH5, CH6, CH7, and CH8	Analog black or analog test signal outputs (SPG600 Option 02 only). By default, the CH5, CH6, and CH7 connectors output black burst signals, and the CH8 connector outputs an analog test signal. Use the System menu to change the output configuration.
SDI 1 and SDI 2	Serial digital black or serial digital test signal outputs. By default, the SDI 1 connector outputs a serial digital black signal, and the SDI 2 connector outputs a serial digital test signal. Use the System menu to change the output configuration.
SDI 3 and SDI 4	Serial digital black or serial digital test signal outputs (SPG600 Option 03 only). By default, the SDI 3 connector outputs a serial digital black signal, and the SDI 4 connector outputs a serial digital test signal. Use the System menu to change the output configuration.
AES 1+2, AES 3+4, AES 5+6, and AES 7+8	AES/EBU serial digital audio outputs for channels 1 & 2, 3 & 4, 5 & 6, and 7 & 8 respectively (SPG600 only).
1+2/RIGHT and 3+4/LEFT (XLR connector)	AES/EBU serial digital audio or analog audio outputs for channels 1 & 2 and 3&4 respectively. By default, these connectors output an AES/EBS serial digital audio. Use the System menu to change the output configuration.
WORD CLK	48 kHz word clock signal output.

Menus

This section describes all of the available sync pulse generator menus and submenus. The following menus are available from the front-panel menu buttons:

- Video menu
- Audio menu
- Genlock menu
- System menu

Video Menu

Pressing the VIDEO button displays the Video menu. This menu lets you set output signals, timing of the output signals, overlay, and SDI parameters. Use the up (▲) or down (▼) arrow button to scroll through the menu. Figure 5 shows the Video menu diagram. Use the left (◀) or right (▶) arrow button to select functions or submenus in each Video menu.

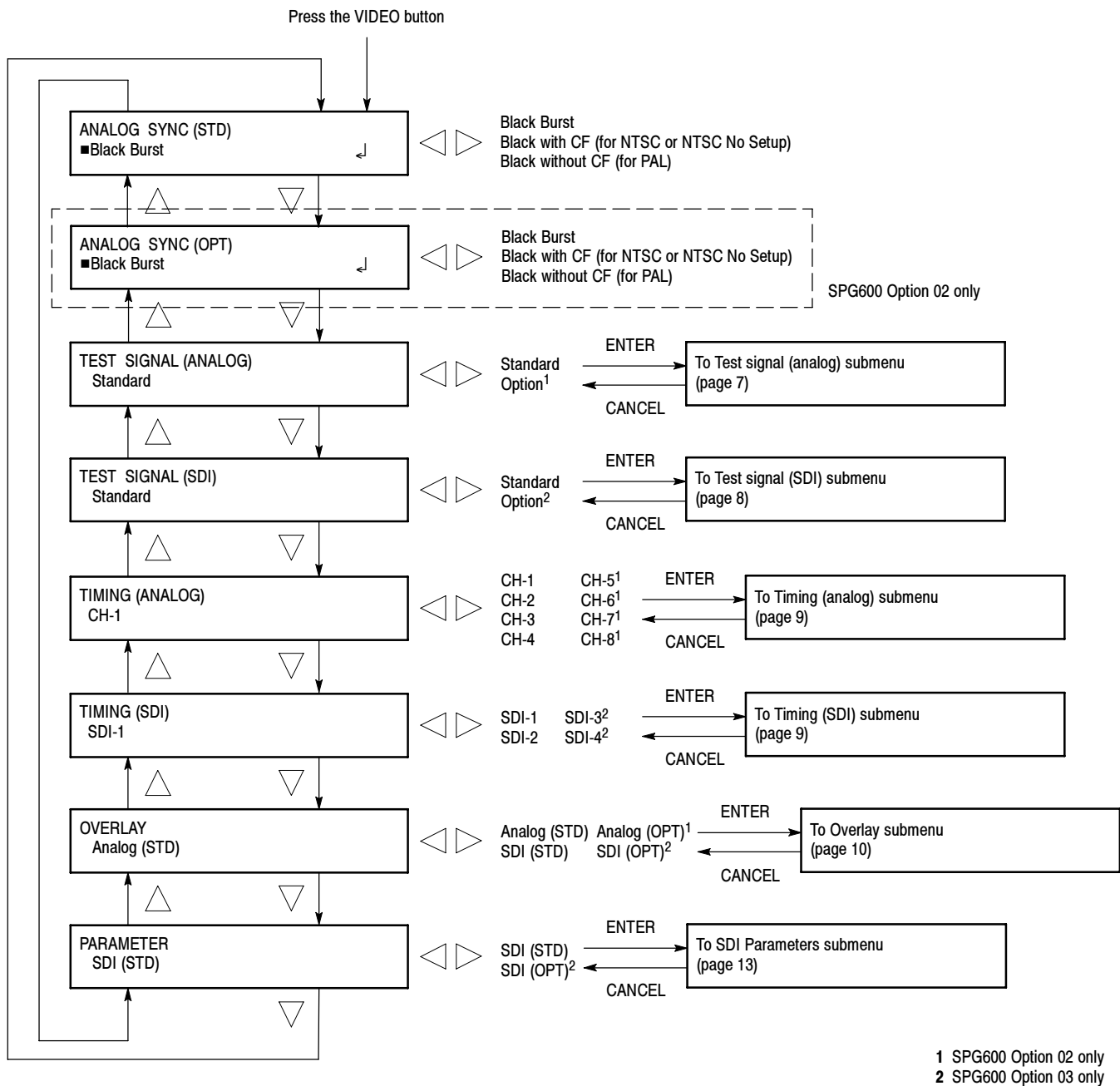


Figure 5: Video menu diagram

**Test Signal (Analog)
Submenu**

This menu allows you to select a test signal for analog output(s). Use the up (▲) or down (▼) arrow button to scroll through the menu. Figure 6 shows the Test signal (analog) submenu diagram. Use the left (◀) or right (▶) arrow button to select a signal.

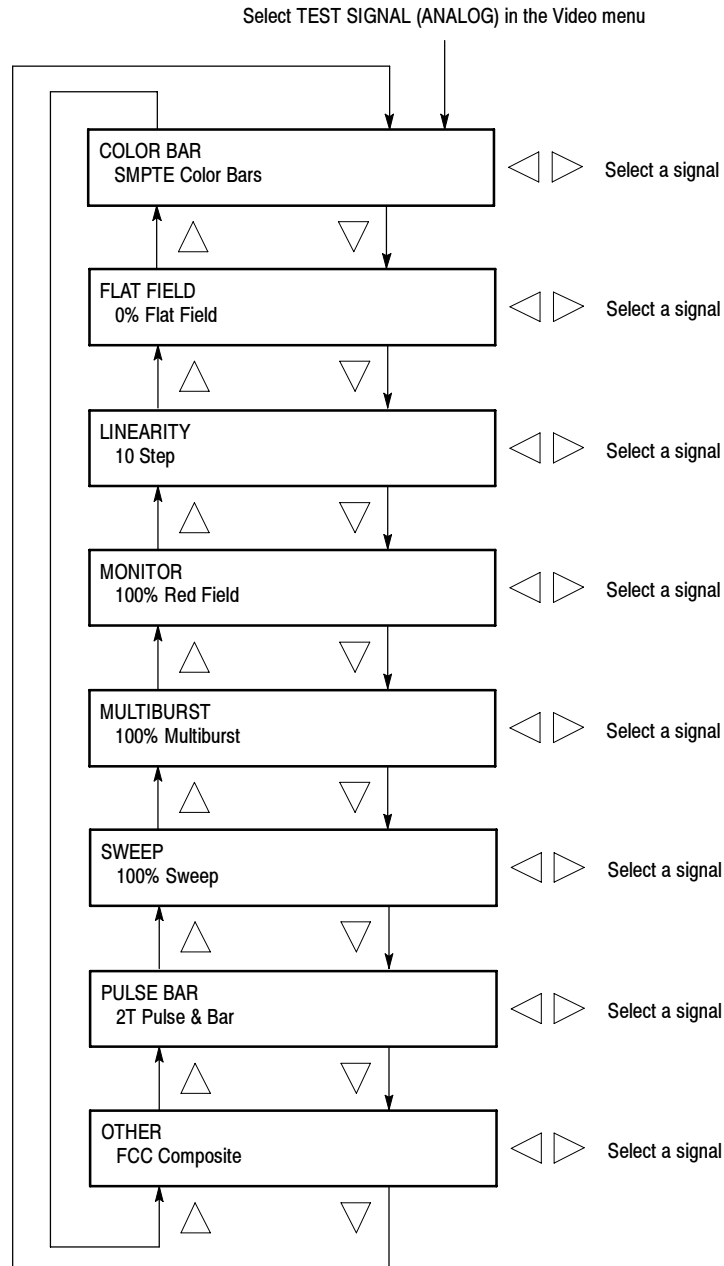


Figure 6: Test signal (analog) submenu diagram

Test Signal (SDI) Submenu

This menu allows you to select a serial digital test signal for the SDI output(s). Use the up (▲) or down (▼) arrow button to scroll through the menu. Figure 7 shows the Test signal (SDI) submenu diagram. Use the left (◀) or right (▶) arrow button to select a signal.

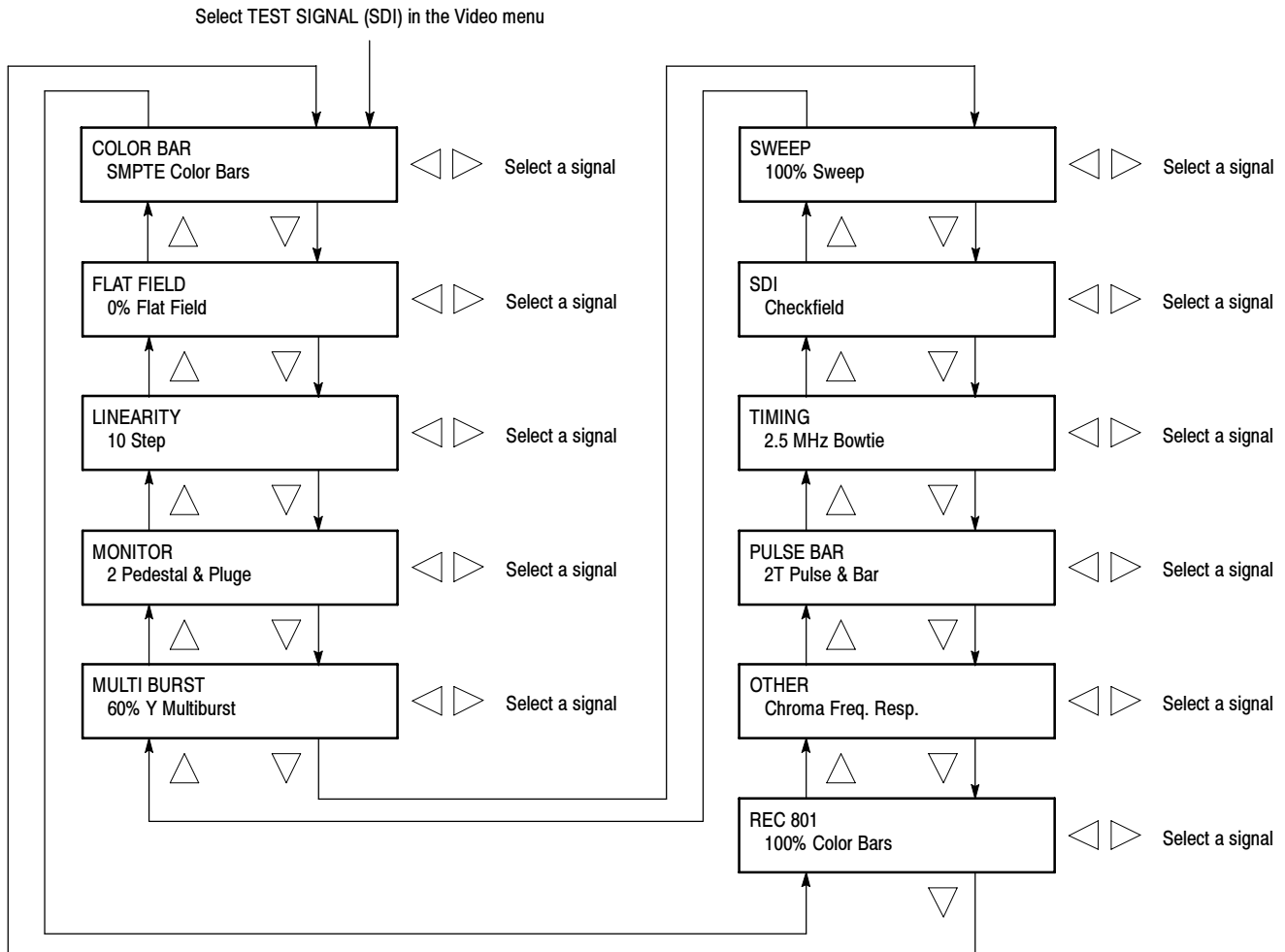


Figure 7: Test signal (SDI) submenu diagram

Timing (Analog) Submenu

This menu allows you to adjust the selected analog output timing offset relative to the genlock signal or the internal reference signal. Use the up (▲) or down (▼) arrow button to scroll through the menu. Figure 8 shows the Timing (analog) submenu diagram.

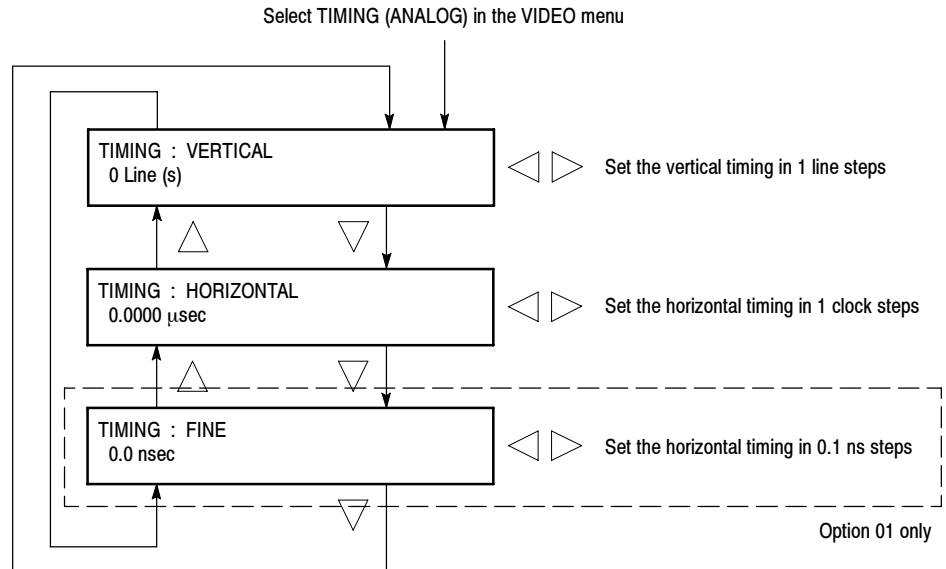


Figure 8: Timing (analog) submenu diagram

Timing (SDI) Submenu

This menu allows you to adjust the timing offset of the selected serial digital output relative to the genlock signal or the internal reference signal. Use the up (▲) or down (▼) arrow button to scroll through the menu. Figure 9 shows the Timing (SDI) submenu diagram.

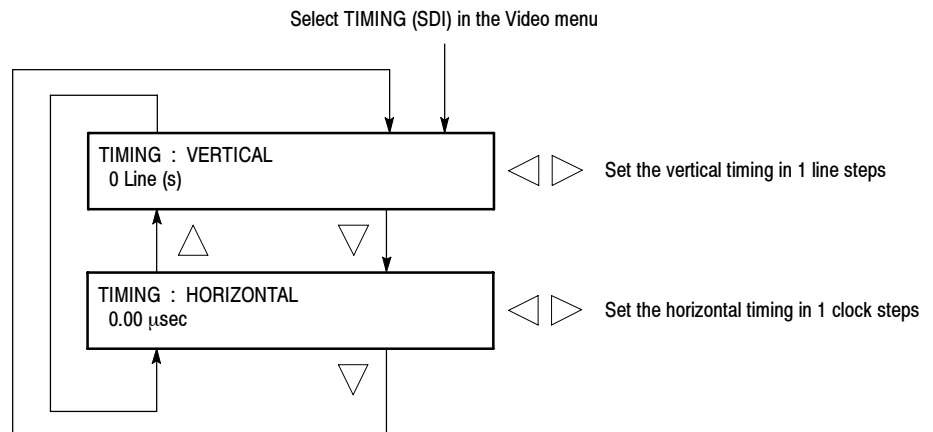


Figure 9: Timing (SDI) submenu diagram

Overlay Submenu

This menu allows you to select an item (logo or ID text) that is overlaid on the output test signal. Use the up (▲) or down (▼) arrow button to scroll through the menu. Figure 10 shows the Overlay submenu diagram.

NOTE. The Overlay submenu contents are common for both analog and serial digital signals except for the menu title on the first line (ANALOG or SDI).

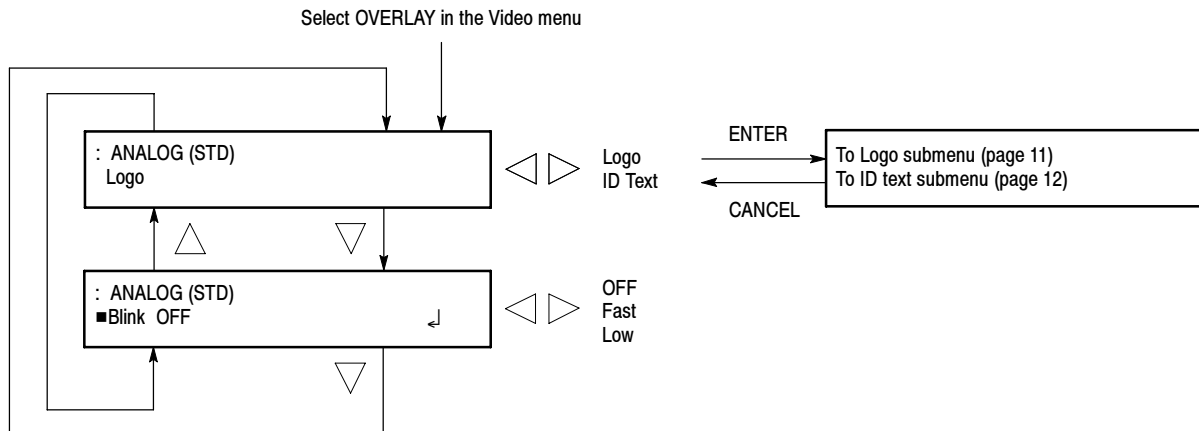


Figure 10: Overlay submenu diagram

Logo Submenu

This menu allows you to overlay and position a logo graphic on an output test signal. Use the up (▲) or down (▼) arrow button to scroll through the menu. Figure 11 shows the Logo submenu diagram.

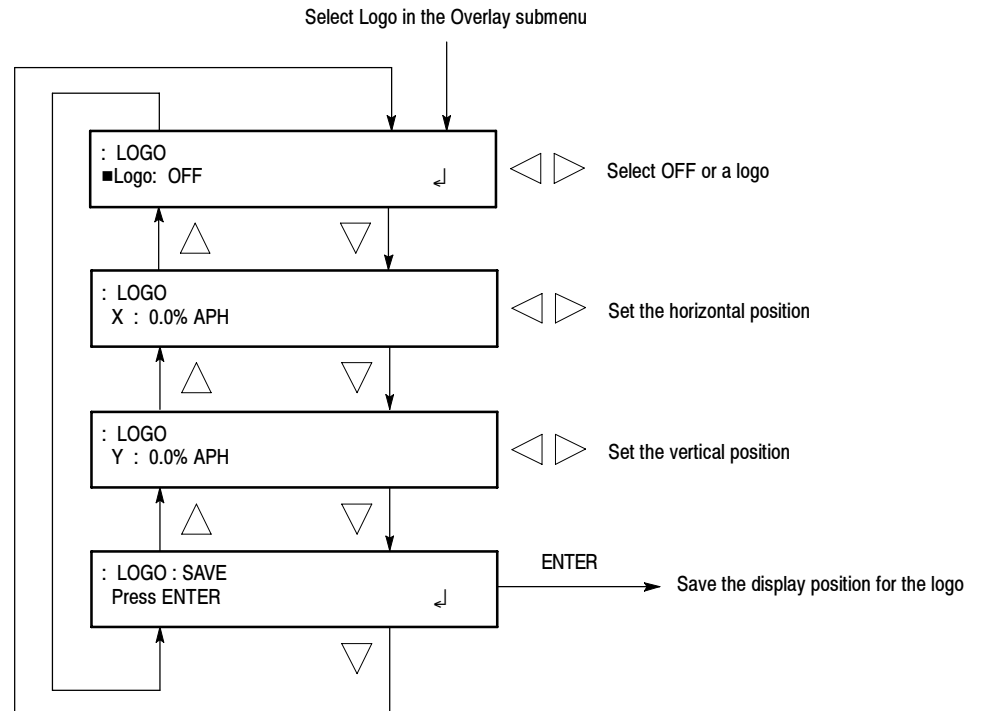


Figure 11: Logo submenu diagram

You can create a logo file using the Logo Generator application. Refer to the *SPG600 & SPG300 Sync Pulse Generators User Manual* included on the product CD-ROM for detailed information for using Logo Generator.

ID Text Submenu

This menu allows you to edit and position a text string that is overlaid on the output test signal. Use the up (▲) or down (▼) arrow button to scroll through the menu. Figure 12 shows the ID text submenu diagram.

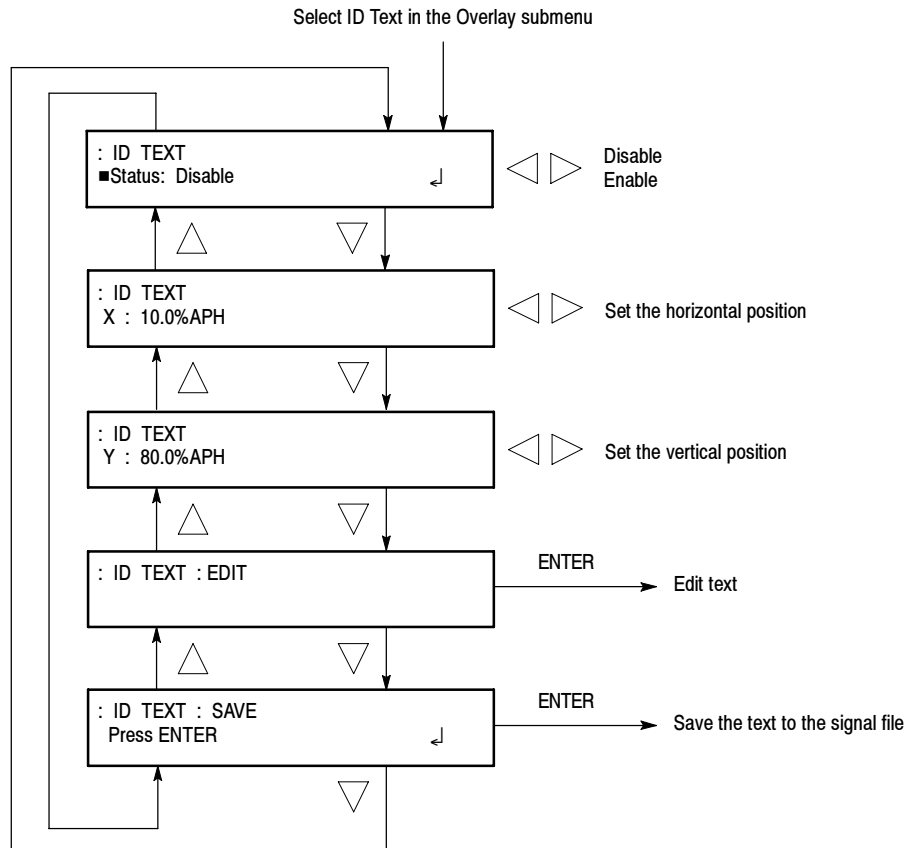


Figure 12: ID text submenu diagram

SDI Parameters Submenu

This menu allows you to select which component(s) of the serial digital signal is (are) available, the serial digital signal resolution, and the insertion of the EDH (Error Detection and Handling) bits. Use the up (▲) or down (▼) arrow button to scroll through the menu. Figure 13 shows the SDI parameters submenu diagram.

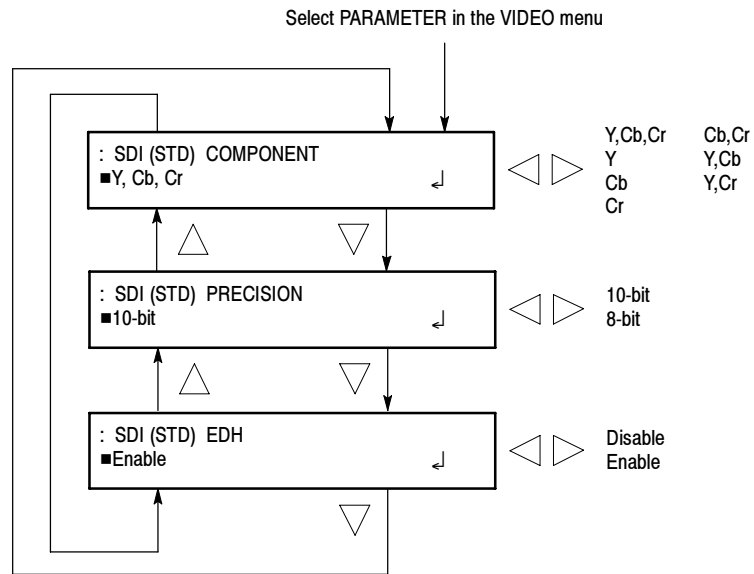


Figure 13: SDI parameters submenu

Audio Menu

Pressing the AUDIO button displays the Audio menu. This menu lets you set the parameters of the AES/EBU audio and embedded audio in the serial digital signal. Use the up (▲) or down (▼) arrow button to scroll through the menu. Figure 14 shows the Audio menu.

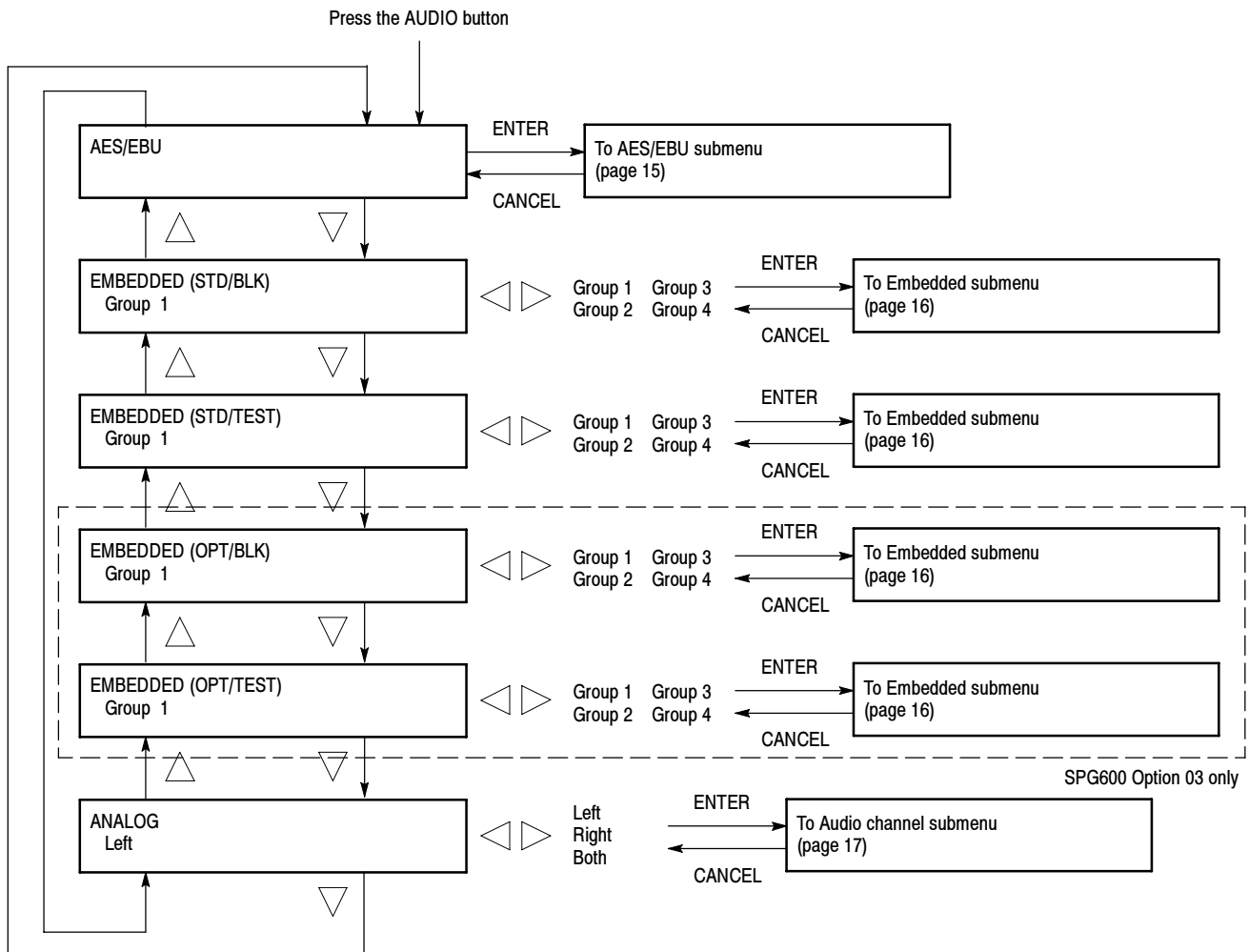


Figure 14: Audio menu diagram

NOTE. The ANALOG menu item is only available when you select Analog Audio in the CONFIGURATION: XLR OUTPUT menu.

AES/EBU Submenu

This menu allows you to select an audio channel, the state of the audio emphasis bits, the resolution of the serial digital audio signal data, and the audio timing. Use the up (▲) or down (▼) arrow button to scroll through the menu. Figure 15 shows the AES/EBU submenu diagram.

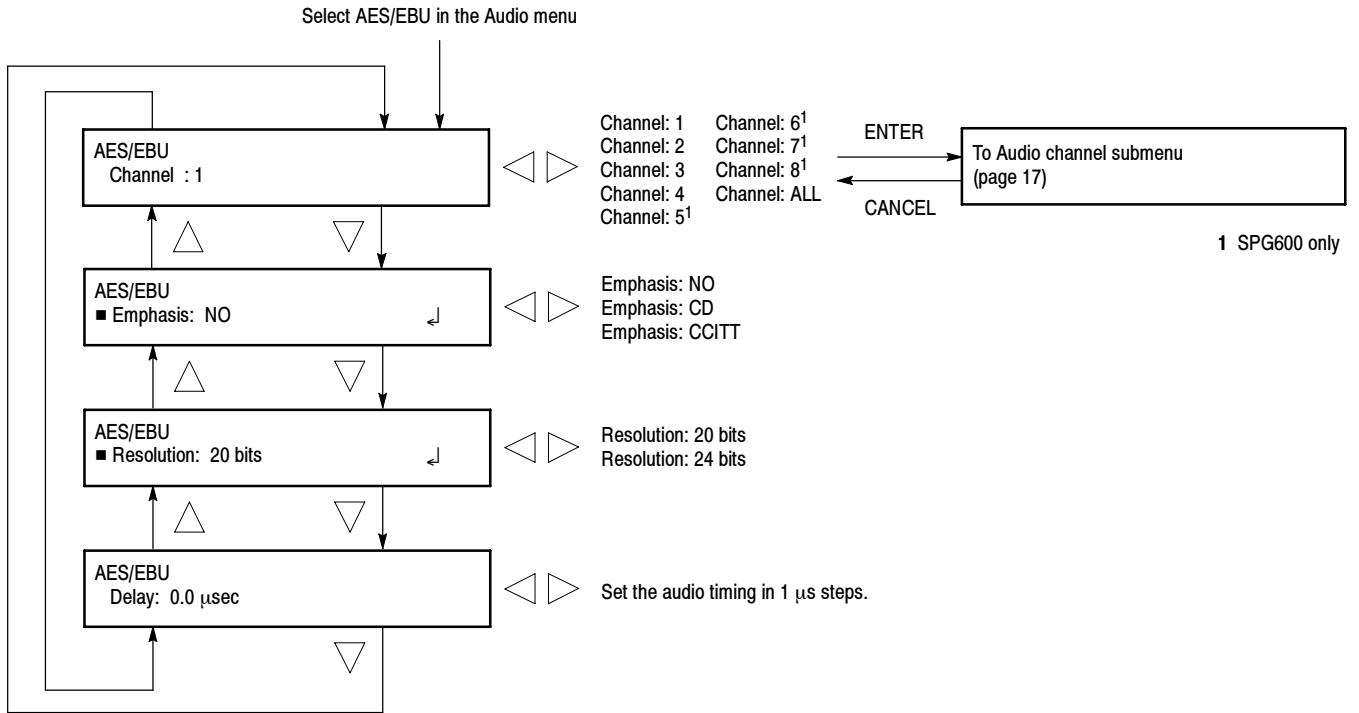


Figure 15: AES/EBU submenu diagram

Embedded Submenu

This menu allows you to enable or disable the generation of embedded audio, select an audio channel, set the state of the audio emphasis bits, and set the resolution of the serial digital audio signal data. Use the up (▲) or down (▼) arrow button to scroll through the menu. Figure 16 shows the Embedded submenu diagram.

NOTE. The Embedded submenu contents are common for the serial digital black signals and the serial digital test signals except for the menu title on the first line.

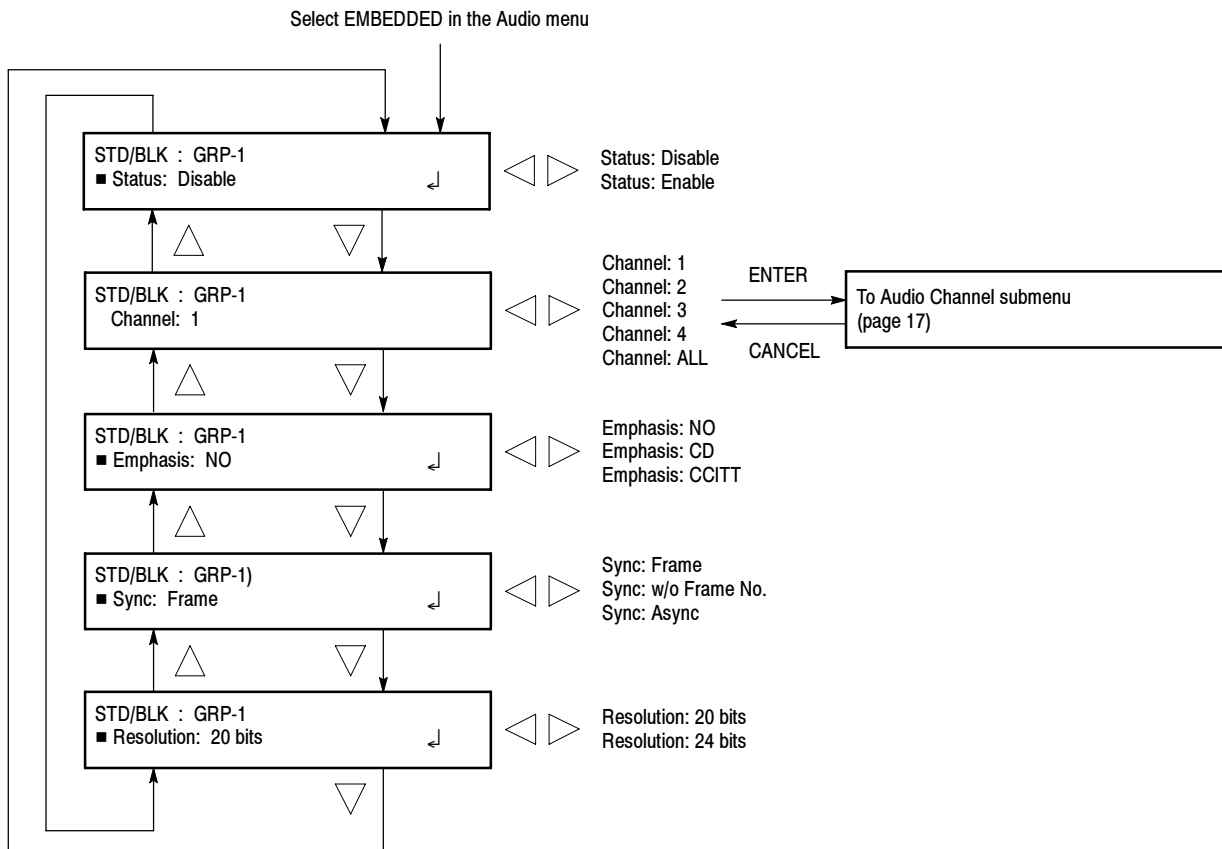


Figure 16: Embedded submenu diagram

Audio Channel Submenu

This menu allows you to set the frequency, amplitude, and audio click of the selected audio channel. Use the up (▲) or down (▼) arrow button to scroll through the menu items. Figure 17 shows the Audio channel submenu diagram.

NOTE. The Audio channel submenu contents are common for AES/EBU audio, Embedded audio, and Analog audio except for the menu title on the first line and some parameter settings.

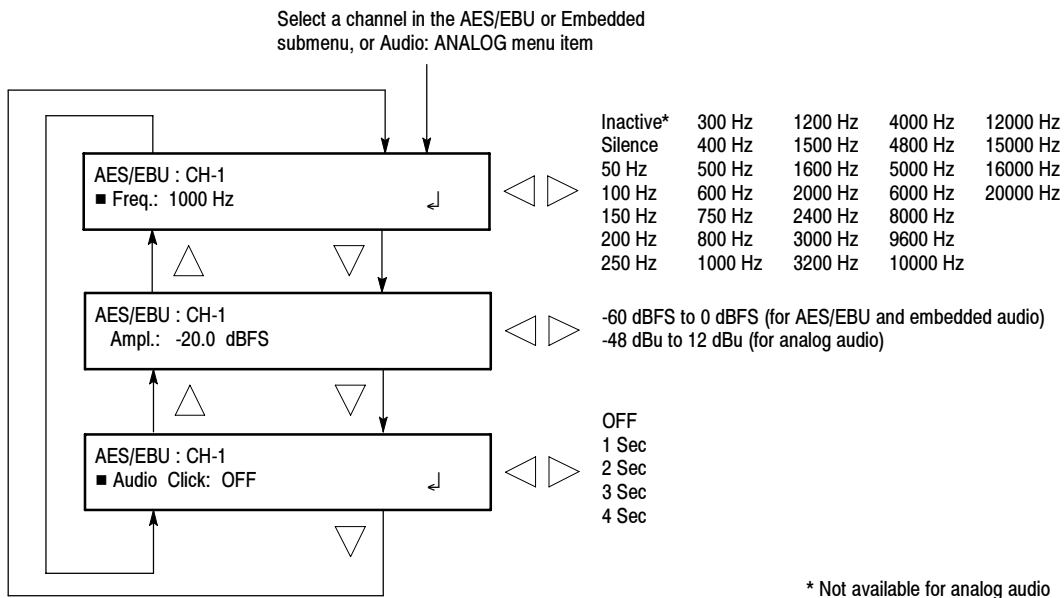


Figure 17: Audio channel submenu diagram

Genlock Menu

Pressing the GENLOCK button displays the Genlock menu. This menu lets you select the genlock source, set the timing offset, and set the instrument actions when lock is lost. Use the up (▲) or down (▼) arrow button to scroll through the menu. Figure 18 shows the Genlock menu diagram.

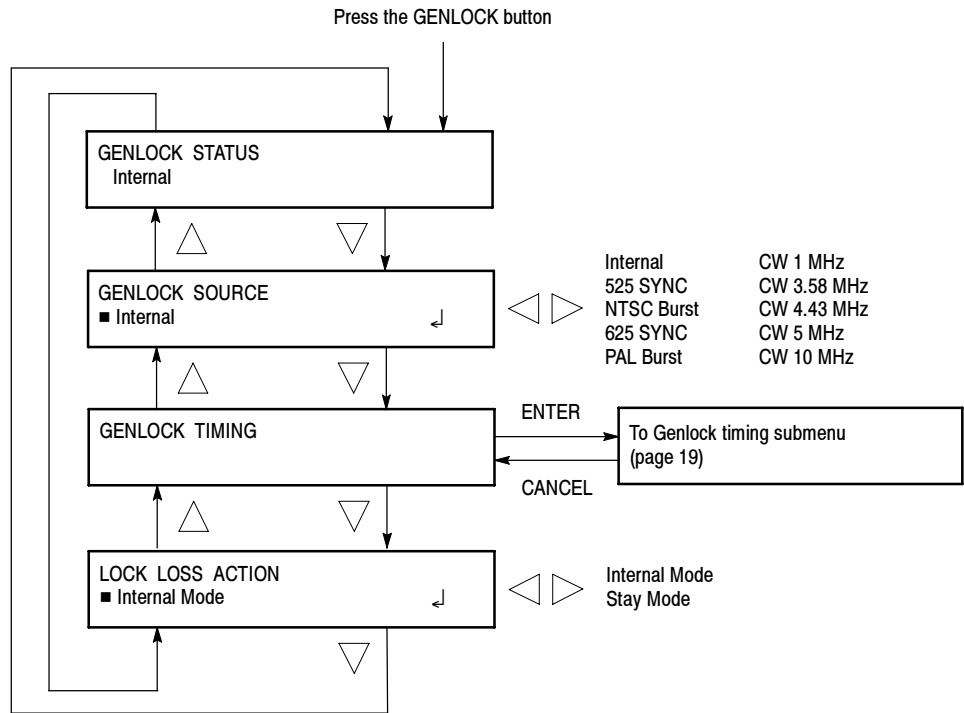


Figure 18: Genlock menu diagram

Genlock Timing Submenu

This menu allows you to adjust the timing offset of the input signal relative to the internal reference signal (frame reset signal). Use the up (▲) or down (▼) arrow button to scroll through the menu. Figure 19 shows the Genlock timing submenu diagram.

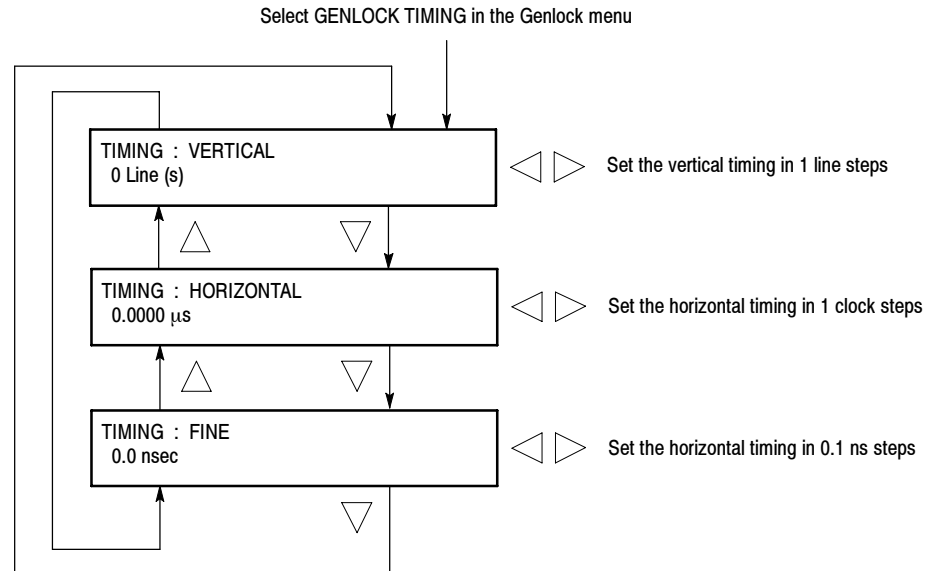


Figure 19: Genlock timing submenu diagram

System Menu

Pressing the SYSTEM button displays the System menu. This menu lets you set the system-related settings such as network parameters and output configuration. Use the up (▲) or down (▼) arrow button to scroll through the menu. Figure 20 shows the System menu diagram.

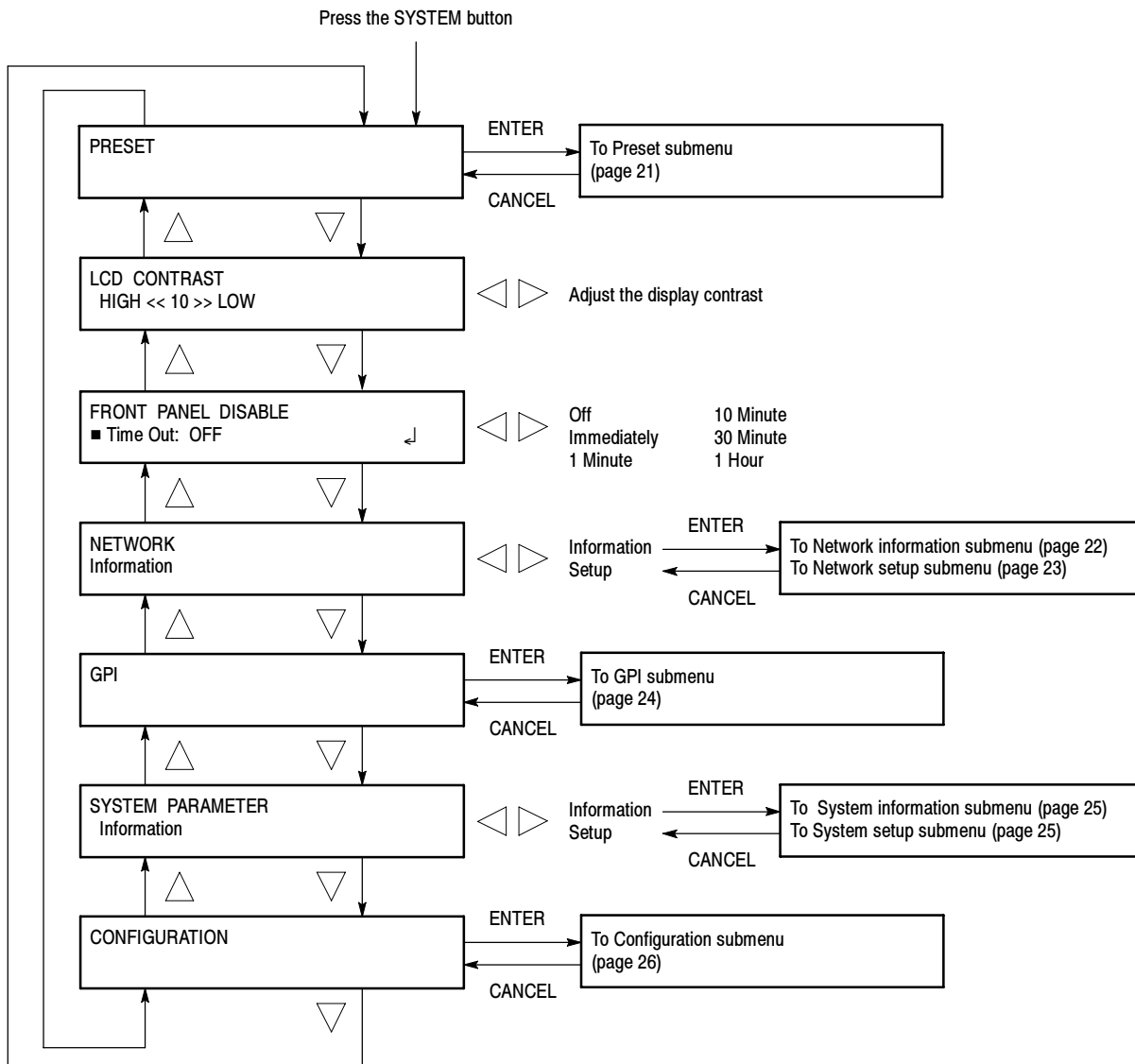


Figure 20: System menu diagram

Preset Submenu This menu allows you to store and recall instrument configuration settings. Use the up (▲) or down (▼) arrow button to scroll through the menu. Figure 21 shows the Preset submenu diagram.

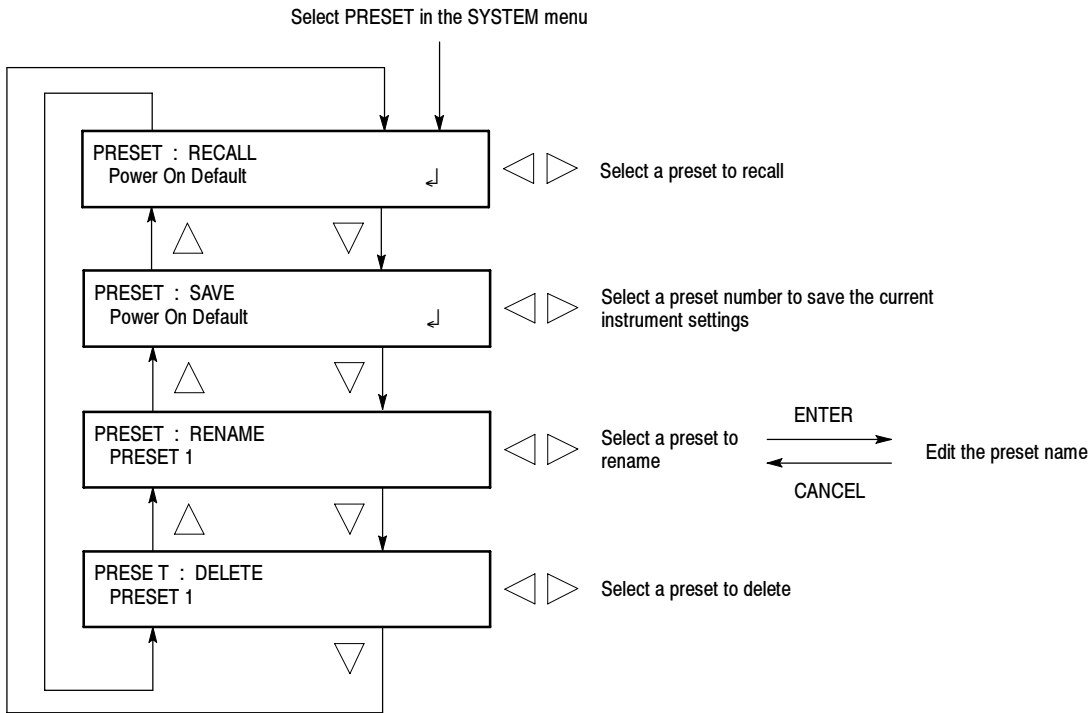


Figure 21: Preset submenu diagram

Network Information Submenu

This menu allows you to display all of the current network parameters. Use the up (▲) or down (▼) arrow button to scroll through the menu. Figure 22 shows the Network information submenu diagram.

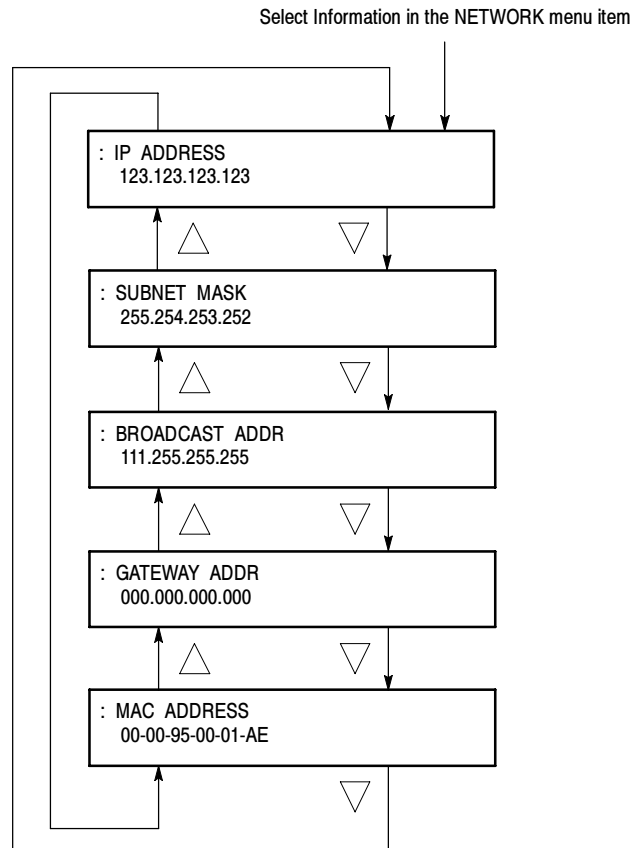


Figure 22: Network information submenu diagram

Network Setup Submenu

This menu allows you to set the sync pulse generator network parameters when connecting to a 100BASE-T Ethernet. Use the up (▲) or down (▼) arrow button to scroll through the menu items. Figure 23 shows the Network setup submenu diagram.

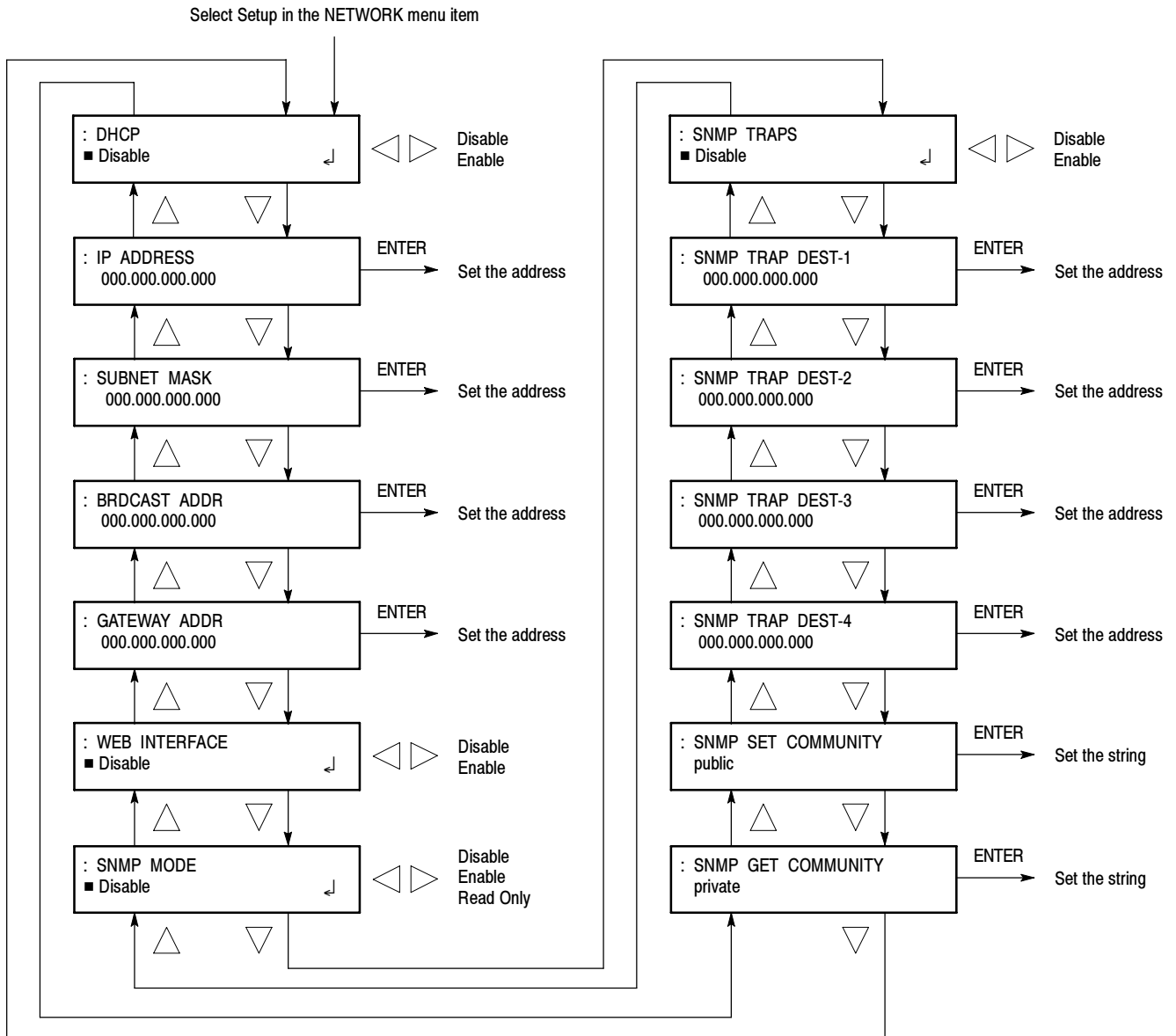


Figure 23: Network setup submenu diagram

GPI Submenu This menu allows you to enable or disable the alarm signal output, reset alarm signal output, and display the alarm status. Use the up (▲) or down (▼) arrow button to scroll through the menu. Figure 24 shows the GPI submenu diagram.

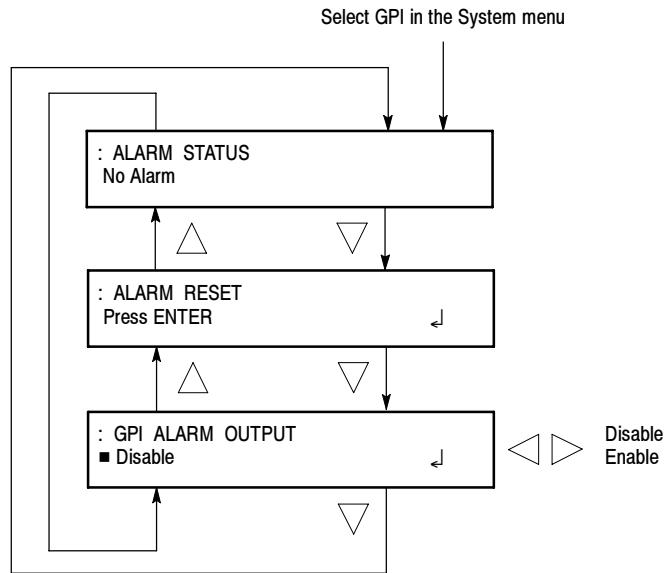


Figure 24: GPI submenu diagram

System Information Submenu

This menu allows you to display the system information. Use the up (▲) or down (▼) arrow button to scroll through the menu. Figure 25 shows the System information submenu diagram.

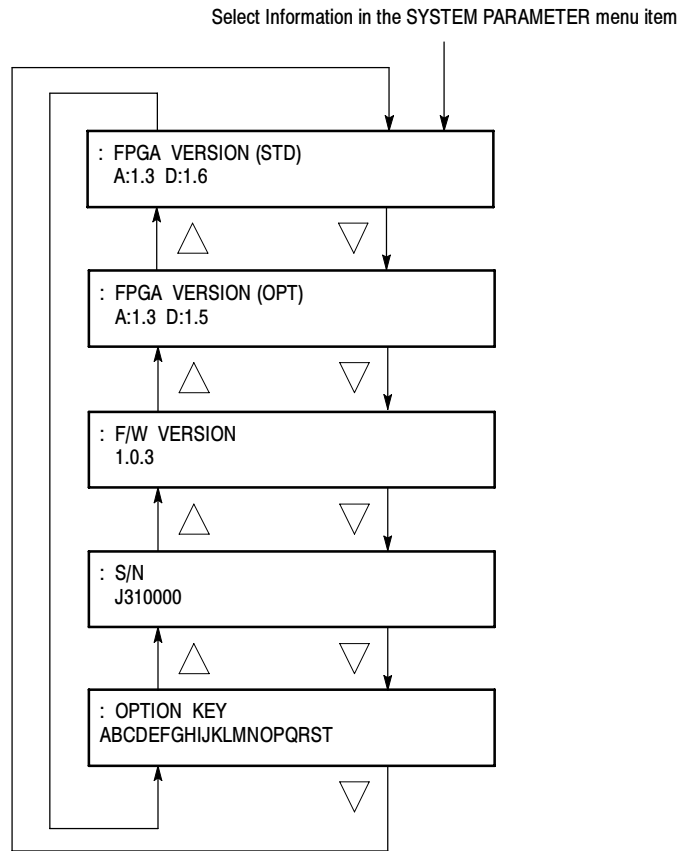


Figure 25: System information submenu diagram

System Setup Submenu

This menu allows you to enter the option key that enables the fine timing adjustment feature (Option 01). Figure 26 shows the System setup submenu diagram.

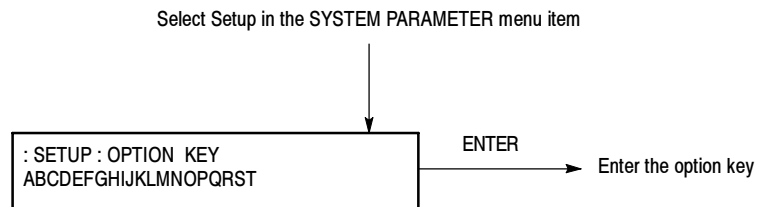


Figure 26: System setup submenu diagram

Configuration Submenu

This menu allows you to select the video standard for the output signals and configure the output connectors. Use the up (▲) or down (▼) arrow button to scroll through the menu. Figure 27 shows the Configuration submenu diagram.

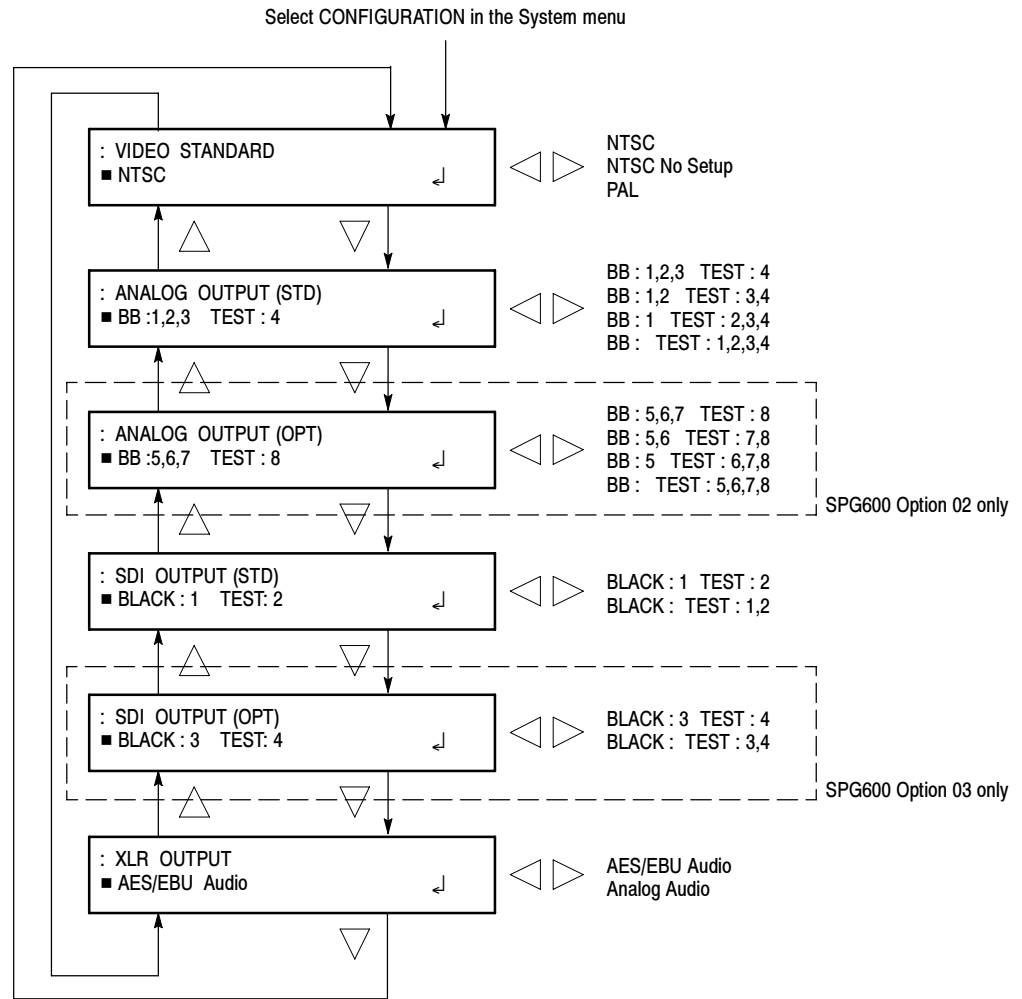


Figure 27: Configuration submenu diagram

Rackmounting the Instrument (SPG600 Only)

This section provides instructions for installing the SPG600 into a standard 19-inch equipment rack.

NOTE. For information on how to install the SPG300 into a standard 19-inch equipment rack, refer to the Instructions included in each of the rackmounting kits.

Minimum Tool and Equipment List

The following tools are required to install the rackmounting hardware into the equipment rack. All tools are standard tools that are readily available.

Table 1: Tools required for rackmount installation

Item no.	Name	Description
1	Screwdriver handle (magnetic)	Accepts 1/4 inch hex-head driver tips
2	No.2 Phillips tip	Phillips-driver tip for M3 size screw heads
3	No.2 Pozidriv tip	Pozidriv-driver tip for number 2 size screw heads



WARNING. To prevent the rackmounted instrument from tipping forward onto the operator, install the instrument so that the operator will be able to access all of its rear-panel connectors without pushing down on the instrument

Verify that the rack does not become unstable with the instrument fully extended. Do not leave the instrument extended when finished accessing the rear panel.

Installation Instructions

This procedure describes how to assemble and install the slide-out tracks in the equipment rack, and then how to install the instrument into the rack.

Assembling the Slide-out Tracks

1. Identify the equipment rack right versus left slide-out track assemblies by finding the date code label on each assembly. The equipment rack left-side assembly has a date code that ends with “LH”, for left hand. The equipment rack right-side assembly has a date code ending with “RH”.
2. Measure the distance between the front and rear rail of the equipment rack.
3. Align the rear bracket to the right slide-out track as shown in Figure 28. Note that the rear bracket has multiple pairs of mount-through holes. When aligning the bracket and track, be sure to select a pair of holes that mount the rear bracket so that the flange-to-flange distance matches the front-rail to rear rail spacing of the rackmount rack just measured in step 2.
4. Using a screwdriver with a number two Pozidriv tip, secure the rear bracket to the right slide-out track using two 10-32 screws and a bar nut. Leave the screws loose so that you can adjust the overall length of the slide-out track assembly in the rack.
5. Repeat steps 3 and 4 to assemble the left slide-out track assembly.

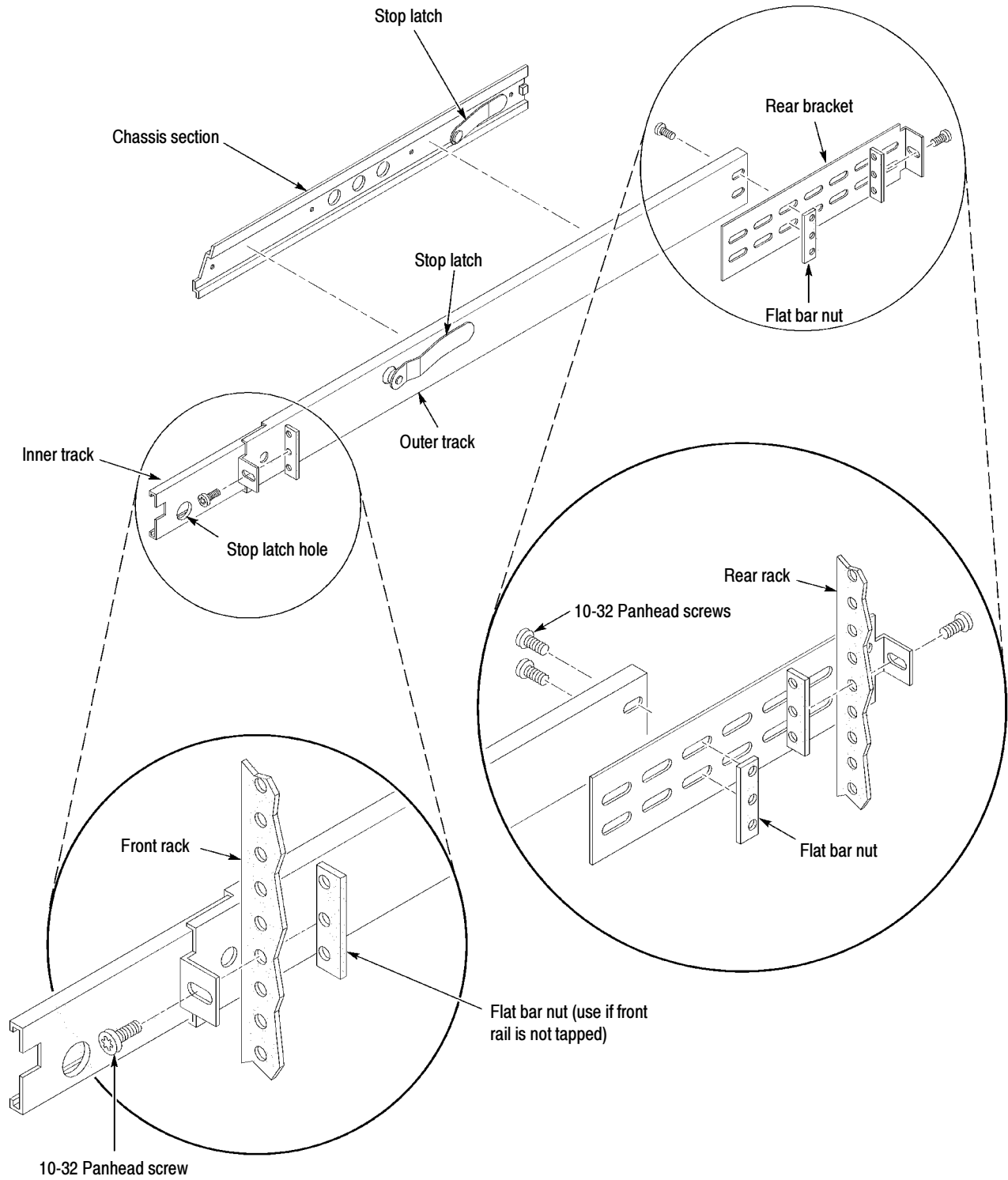


Figure 28: Assembly of slide-out track assemblies (right slide-out track)

Installing the Instrument

1. Working from the front of the rack, pull the inner track of each slide-out track assembly until it extends out the front of the rack. Continue to pull them out until they lock.
2. Insert the instrument left and right tracks into the ends of the rack tracks just extended. Make sure to insert the instrument tracks inside of the inner rack tracks extended in step 1.
3. Push the instrument into the rack until it stops.
4. Push both stop latches, located on the outside of each track, and continue to slide the instrument all the way into the rack.
5. Tighten the two screws that were left loose at the rear of the rack when you did step 3 in *Mounting the Slide-out Tracks* on page 30, and then pull the instrument part way out of the rack.
6. Be sure the two screws that were left loose at the front of the rack are loose enough to allow the slide-out track assemblies to seek the appropriate positions.
7. Retighten the two screws and push the instrument all the way into the rack. If the tracks do not slide smoothly, readjust the rail assemblies using the method just detailed.
8. When adjusting is completed, tighten all rail assembly 10-32 screws using 28 inch-lbs of torque.
9. Using a number two Phillips screwdriver, install the 10-32 screw attached to your rack in one of the two mounting holes at the right side of the front panel. Repeat for the second mounting hole. Tighten both screws using 25 inch-lbs of torque.
10. Repeat step 9 to install the two screws in the left side of the front.

