

## Warning!

To avoid injury, do not connect this product to any source which may be subject to the effects of lightning.

## Important Safety Information

Review the following safety precautions to avoid injury and prevent damage to this product or any products connected to it.

**Service.** Only qualified personnel should perform service procedures.

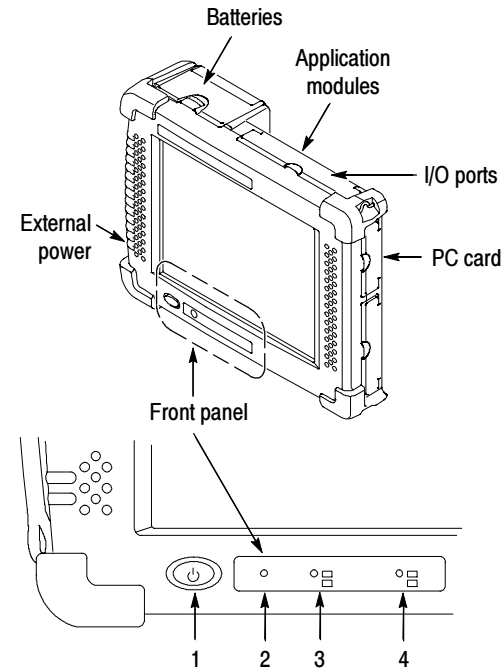
**Power.** Use only the Power cords, Desk Top Power Supplies, Batteries, or In-Vehicle Power Adapters specified for this product and certified for the country of use. Observe all ratings marked on these parts.

**Intended Use.** The Y400 is intended for use only with the specified application modules available from Tektronix. Important safety information is contained in the application module user manuals.

**Read Application Module Manuals.** Before operating the Y400 NetTek Analyzer Platform, refer to the application module manuals for:

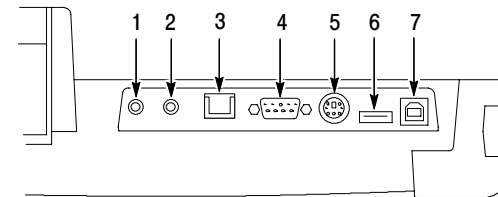
- Detailed instructions on installing and charging the battery. Recharge batteries for the recommended charge cycle only.
- System specifications, environmental ratings, and electrical ratings.
- General safety warnings and cautions related to operating the system and an explanation of the safety symbols marked on the product.
- Proper use of controls and settings, and proper connection of inputs and outputs.
- Proper use of the product's shoulder strap, strand hook, and other accessories.
- Proper application module installation.
- Proper system maintenance.

## Layout



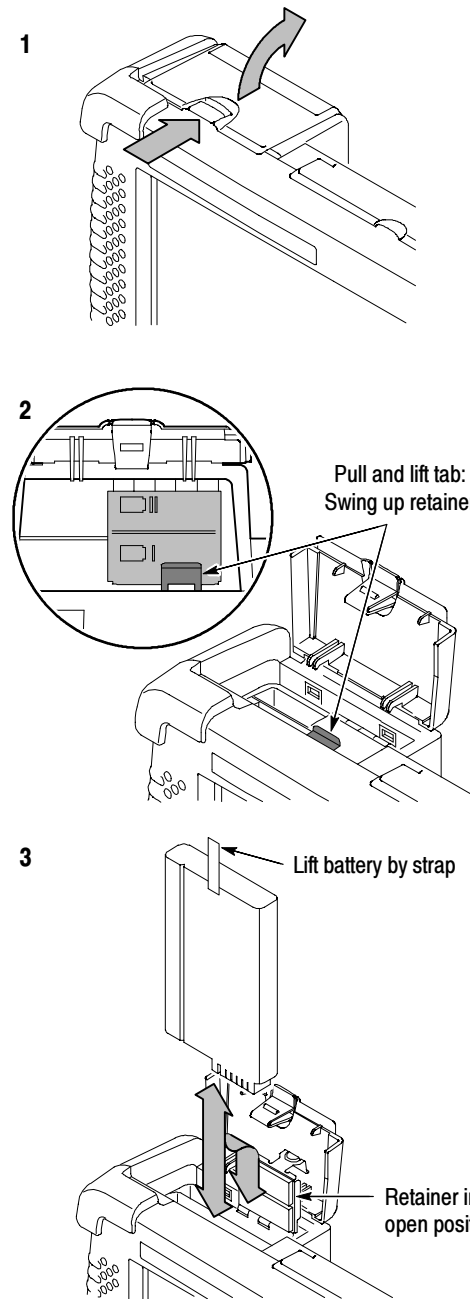
1. Power/Suspend button
2. Reset button
3. Status light
4. Battery charge/level light

## Input and Output Ports

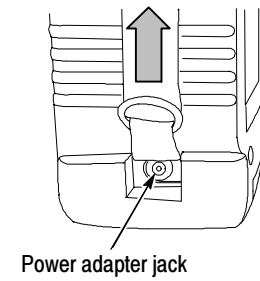


1. Microphone input
2. Headphone jack
3. Ethernet (RJ-45)
4. Serial (RS-232)
5. Keyboard
6. USB host
7. USB slave

## Installing/Removing Batteries



## Connecting Power Adapters



## Charging Batteries

1. Connect AC or DC power adapter to Y400.
2. Connect AC or DC power adapter to appropriate power source. The battery charge/level light turns green.
3. Battery charge time (full charge):
  - Analyzer powered off: 4 hours
  - Analyzer powered on: 8 hours

For more information on battery charging, battery calibration, and power management, select **Start > Help > Windows CE Basics > Tektronix NetTek Analyzer Platform Basics > Power Management**.

## Powering On and Off the Analyzer

To power on the NetTek Analyzer, press the Power/Suspend button (blue button at lower left corner of instrument). Powering up the NetTek Analyzer takes about 30 seconds.

To power off the NetTek Analyzer, do one of the following:

- Press the Power/Suspend button
- Select **Start > Shutdown > Shutdown**

For more information on the Shutdown menu functions, select **Start > Help > Windows CE Basics > Tektronix NetTek Analyzer Platform Basics > Shutting Down the Instrument**

## Calibrating the Touch-Screen Display

You must calibrate the touch-screen display to respond correctly to your taps before using the NetTek Analyzer.

1. Select **Start > Settings > Control Panel**.
2. Open (double-tap) the Stylus icon.
3. In the **Double-Tap** tab, double-tap the checkerboard grid at a comfortable speed with a stylus or your finger. This sets the tap rate sensitivity.
4. Select the **Calibration** tab.
5. Follow the on-screen instructions to set the touch-screen location and pressure values. Apply pressure to the touch-screen for approximately 5 seconds to register each tap.
6. Tap **OK** to close the dialog box.
7. Restart the NetTek Analyzer to save and apply the touch-screen calibration settings.

## Online Help

To access Windows CE online help, select **Start > Help**.

For NetTek Analyzer-specific help, select **Start > Help > Windows CE Basics > Tektronix NetTek Analyzer Platform Basics**.


Some application windows have context-sensitive help, as indicated by a question mark icon at the top of the application screen. Selecting the context-sensitive icon displays information about the active application window.

## Transportation and Lithium-Ion Batteries

Each Y400 lithium-ion battery pack contains less than 8 grams of lithium, with individual cells each containing less than 1.5 grams of lithium, as measured by International Civil Aviation Organization (ICAO) standards. Consult your air carrier for applicability and determination of any special lithium-ion battery transportation requirements.

## Cleaning

1. Disconnect the NetTek Analyzer from the external power adapter.
2. Close all NetTek Analyzer connector and battery doors.
3. Install the bus door on the NetTek Analyzer or application module.
4. Use a soft cloth dampened with a solution of water and mild detergent. Do not immerse the analyzer or use abrasive cleaners.

 **CAUTION.** To prevent damage to external surfaces, do not use chemicals that contain acetone, benzene, toluene, xylene, or similar solvents. Do not use bleach or ammonia solutions for cleaning.

## Contacting Tektronix

Web site: [www.tektronix.com](http://www.tektronix.com)  
Phone: 1-800-833-9200  
Address: Tektronix, Inc.  
Department or name (if known)  
14200 SW Karl Braun Drive  
P.O. Box 500  
Beaverton, OR 97077  
USA  
Email: [techsupport@tektronix.com](mailto:techsupport@tektronix.com)

Additional contact information is also located on the online help system by selecting **Start > Help > Windows CE Basics > Tektronix NetTek Analyzer Platform Basics > Contacting Tektronix**.

For more information on the NetTek Analyzer, including options and accessories, go to [www.tektronix.com](http://www.tektronix.com) and enter **Y400** in the web page search field.

## EMC Compliance

### EC Declaration of Conformity - EMC

Meets intent of Directive 89/336/EEC for Electromagnetic Compatibility. Compliance was demonstrated to the following specifications as listed in the Official Journal of the European Union:

EN 61326	EMC requirements for Class A electrical equipment for measurement, control and laboratory use. 1,2,3,4
IEC 61000-4-2	Electrostatic discharge immunity (Performance criterion B)
IEC 61000-4-3	RF electromagnetic field immunity (Performance criterion A)
IEC 61000-4-4	Electrical fast transient/burst immunity (Performance criterion B)
IEC 61000-4-5	Power line surge immunity (Performance criterion B)
IEC 61000-4-6	Conducted RF immunity (Performance criterion A)
IEC 61000-4-11	Voltage dips and interruptions immunity (Performance criterion B)
EN 61000-3-2	AC power line harmonic emissions
EN 61000-3-3	Voltage changes, fluctuations, and flicker

### Australia/New Zealand Declaration of Conformity - EMC

Complies with EMC provision of Radiocommunications Act per the following standard(s): 2,3

AS/NZS 2064.1/2	Industrial, Scientific, and Medical Equipment: 1992
-----------------	---

- 1 Platform EMC performance may be altered when operated with an application module; EMC specifications for the application module apply in that case.
- 2 EMC compliance was demonstrated using high-quality shielded interface cables.
- 3 Emissions that exceed the limits of this standard may occur when the instrument is connected to a test object.
- 4 Minimum Immunity test requirement.

## Y400 NetTek® Analyzer Setup Reference



071-1430-00