

YBAC3 Calibration Kit Instructions

www.tektronix.com

071-1838-00

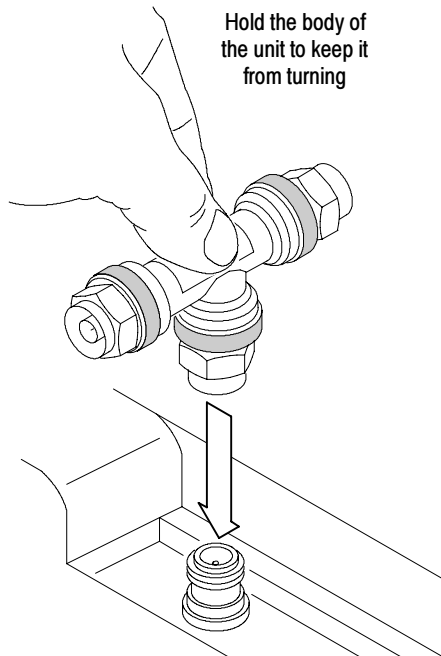
Tektronix

CAUTION. The calibration unit is exceptionally sensitive to mishandling. Use the procedures that follow when attaching and removing the calibration unit or you will damage its connectors. If its precision connectors become damaged, the calibration unit cannot provide dependable measurements.

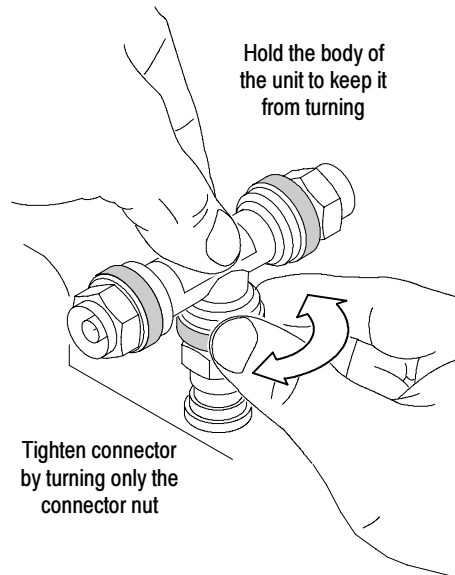
Attaching the Calibration Unit

To properly attach the YBAC3 calibration unit to the YBA250:

1. Gently push the Open, Short, or Load connector straight onto the Test Port. *DO NOT* turn or twist the body of the calibration unit while pushing it onto the Test Port.



2. To secure the connector, hold the body of the connector still while turning the nut until the nut is finger-tight. Turn *ONLY* the nut to secure the connector.



Removing the Calibration Unit

To properly remove the YBAC3 calibration unit from the YBA250:

1. Hold the body of the calibration unit still while turning the nut to loosen it. Turn *ONLY* the nut to remove the connector.
2. Gently pull the calibration unit straight away from the RF input connector. *DO NOT* turn or twist the body of the connector while pulling it off the Test Port.

General Characteristics

Table 1: Physical characteristics

Connector	Type N Male
Impedance	50 Ω (nominal)
Frequency Range	DC to 5.0 GHz
Recommended torque	0.7 Nm to 1.1 Nm
Gauge	5.33 mm to 5.84 mm
Calibration	1 year cycle

Table 2: Precision Open characteristics

Reflection Coefficient	≥ -0.09 dB to 5.0 GHz
------------------------	----------------------------

Table 3: Precision Short characteristics

Reflection Coefficient	≥ -0.09 dB to 5.0 GHz
------------------------	----------------------------

Table 4: Precision Load characteristics

Frequency Range	DC to 5.0 GHz
Return Loss	≥ 42 dB from DC to 2.5 GHz ≥ 38 dB from 2.5 GHz to 5 GHz

Warranty Information

For warranty information, go to www.tektronix.com, click Support, and then use the provided links to search for your product's warranty.

Contacting Tektronix

Tektronix, Inc.
14200 SW Karl Braun Drive
PO Box 500
Beaverton, OR 97077
USA

For product information, sales, service, and technical support:

- In North America, call 1-800-833-9200.
- Worldwide, visit www.tektronix.com to find contacts in your area.