

Instructions



Rackmount (Option 1R)

RSA6100A Series

071-1871-00

Warning

The servicing instructions are for use by qualified personnel only. To avoid personal injury, do not perform any servicing unless you are qualified to do so. Refer to all safety summaries prior to performing service.

www.tektronix.com



071187100

Copyright © Tektronix. All rights reserved. Licensed software products are owned by Tektronix or its subsidiaries or suppliers, and are protected by national copyright laws and international treaty provisions.

Tektronix products are covered by U.S. and foreign patents, issued and pending. Information in this publication supercedes that in all previously published material. Specifications and price change privileges reserved.

TEKTRONIX and TEK are registered trademarks of Tektronix, Inc.

Contacting Tektronix

Tektronix, Inc.
14200 SW Karl Braun Drive
P.O. Box 500
Beaverton, OR 97077
USA

For product information, sales, service, and technical support:

- In North America, call 1-800-833-9200.
- Worldwide, visit www.tektronix.com to find contacts in your area.



Table of Contents

Service Safety Summary	1
Kit Description	3
Products	3
Kit Parts List	3
Clearance Requirements	5
Installation Instructions	7
Minimum Tool and Equipment List	7
Remove	9
Install	12
Rackmount the Rack-Adapted Instrument	14

List of Figures

Figure 1: Instrument cooling	4
Figure 2: Instrument with Rack Adapter Installed	6
Figure 3: Rackmount kit parts	8
Figure 4: Strip instrument for conversion	10
Figure 5: Rackmount panel preassembly	11
Figure 6: Right inside track identification	12
Figure 7: Installation of rackmount assemblies	13
Figure 8: Assembly of slide-out track assemblies	16
Figure 9: Vertical clearances for rack installation (left-front rail shown)	17
Figure 10: Installation of slide-out track assemblies in rack (top view)	18

List of Tables

Table 1: Warranted characteristics	5
Table 2: Tools required for rackmount installation	7

Service Safety Summary

Only qualified personnel should perform service procedures. Read this *Service Safety Summary* and the *General Safety Summary* in the product service manual or the instruction manual.

Do Not Service Alone. Do not perform internal service or adjustments of this product unless another person capable of rendering first aid and resuscitation is present.

To prevent the instrument and rack from falling onto the operator, two or more installers should install the instrument into the rack cabinet. After completing the installation procedure, the installers should verify that the instrument and rack cabinet will not tip forward while the instrument is in the extended position.

Disconnect Power. To avoid electric shock, switch off the instrument power, then disconnect the power cord from the mains power.

Use Care When Servicing With Power On. Dangerous voltages or currents may exist in this product. Disconnect power, remove battery (if applicable), and disconnect test leads before removing protective panels, soldering, or replacing components.

To avoid electric shock, do not touch exposed connections.

Kit Description

This kit describes the installation of Option 1R (rackmount kit) on your RSA6100A Series Real-Time Spectrum Analyzer. The rackmount kit is a collection of parts that, once installed, configures the instrument for mounting into a standard 19-inch equipment rack.

Products

RSA6100A Series All Serial Numbers

Kit Parts List

Figure 3 on page 8	Quantity	Part number	Description
-----	1 ea	016-1962-XX	Rackmount Kit:RSA6100A Series, consisting of the following:
-----	1 ea	071-1871-XX	Technical manual: Instructions, Rackmount, RSA6100A Series
3-1	1 ea	441-2407-XX	Rackmount bracket set consisting of: left and right sides, aluminum, silver gray
3-2	1 ea	351-0313-01	Guide rack, consisting of: left and right side
3-3	4 ea	NS	Screw, mach: 10-32, pan head, 0.375 in l, phillips
3-3	7 ea	NS	Nut, locking washer: 10-32 assembly
3-3	14 ea	NS	Screw, mach: 10-32, Truss head, 0.5 in l, phillips
3-3	4 ea	NS	Screw, mach: M6 x 20 ovl head, phillips
3-3	4 ea	NS	Screw, mach: M5 x 20 ovl head, phillips
3-3	8 ea	NS	Screw, mach: 10-32 x 0.75 ovl head, phillips
3-3	4 ea	NS	Screw, mach: 12-32 x 0.75 ovl head, phillips
3-3	9 ea	NS	Washer: flat, nylon
3-4	1 ea	351-0241-XX	Slide, drawer, extenders: Sliders
3-4	1 ea	NS	Rack: Mounting screws, nut blocks
3-5	2 ea	367-0525-XX	Handle: Bracket, aluminum, silver gray
3-6	4 ea	212-0577-XX	Screw, mach: 10-32, Truss head, 0.625 in, Pozidriv®

NS - Not Saleable

Warranted Characteristics

When the instrument is installed as instructed in this document, the rackmounted instrument meets all warranted requirements listed in the instrument specification except for those listed in *Environmental Requirements on page 5*. Use of mounting methods other than those described in these instructions can cause the instrument to not meet warranted requirements.

See the *RSA6100A Series Specifications and Performance Verification Technical Reference* (Tektronix part number 071-1915-XX) for tables of the warranted characteristics.

Cooling air enters from the left side as shown in Figure 1. You assume the responsibility to provide adequate cool air to meet the ambient temperature requirements listed in Table 1.

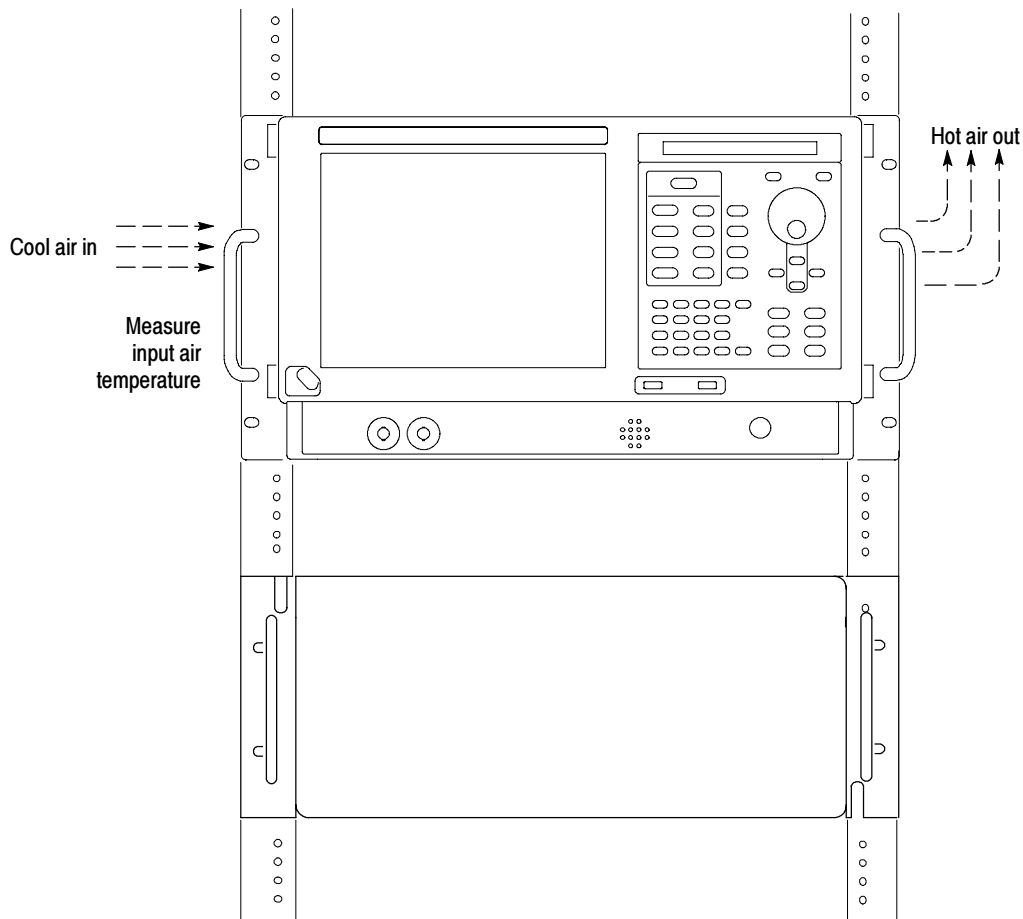


Figure 1: instrument cooling

Environmental Requirements

The following environmental characteristics supercede those listed in the user or service manual for your instrument.

Table 1: Warranted characteristics

Characteristic	Description
Temperature, Inside Rack Cabinet	
Operating	+5 °C to +50 °C
When accessing DVD	+5 °C to +40 °C
Non-operating	-20 °C to +60 °C
Vibration	
Operating	0.22 Grms. Profile = 0.00010 g ² /Hz at 5 Hz to 350 Hz, -3dB/Octave slope from 350 Hz to 500 Hz, 0.00007 g ² /Hz at 500 Hz, 3 Axes at 10 min/axis (Except when equipped with Option 06 Removable HDD, or when accessing DVD/CD)
Non-operating	When equipped with Option 08, Removable Solid State Hard Drive: 0.24 Grms. Profile = 0.000125 g ² /Hz at 5 Hz to 350 Hz, -3dB/Octave slope from 350 Hz to 500 Hz, 0.0000876 g ² /Hz at 500 Hz, 3 Axes at 10 min/axis 2.28 Grms. Profile = 0.015 g ² /Hz at 5 Hz to 100 Hz, -3 dB/Octave slope from 100 Hz to 200 Hz, 0.075 g ² /Hz at 200 Hz to 350 Hz, -3dB/Octave slope from 350 Hz to 500 Hz, 0.00526 g ² /Hz at 500 Hz, 3 Axes at 10 min/axis
Shock	
Operating and Non-operating	20 g, 11 ms, half sine, each axis, 3 drops each

Clearance Requirements

The rack in which the rack adapted instrument is mounted must provide the following clearance requirements:

- A minimum of 266.7 mm (10.5 in) of vertical space.
- A minimum width of 448 mm (17 5/8 in) between the left- and right-front rails in the rack.
- A minimum inside depth of at least 508 mm (20.5 in).



CAUTION. By adhering to these clearance requirements, the rack-adapted instrument will be mounted with sufficient clearance for air circulation and accommodation of the power cord and mounting hardware. Failure to provide these clearances can result in overheating and will cause the instrument to not operate properly and/or fail.

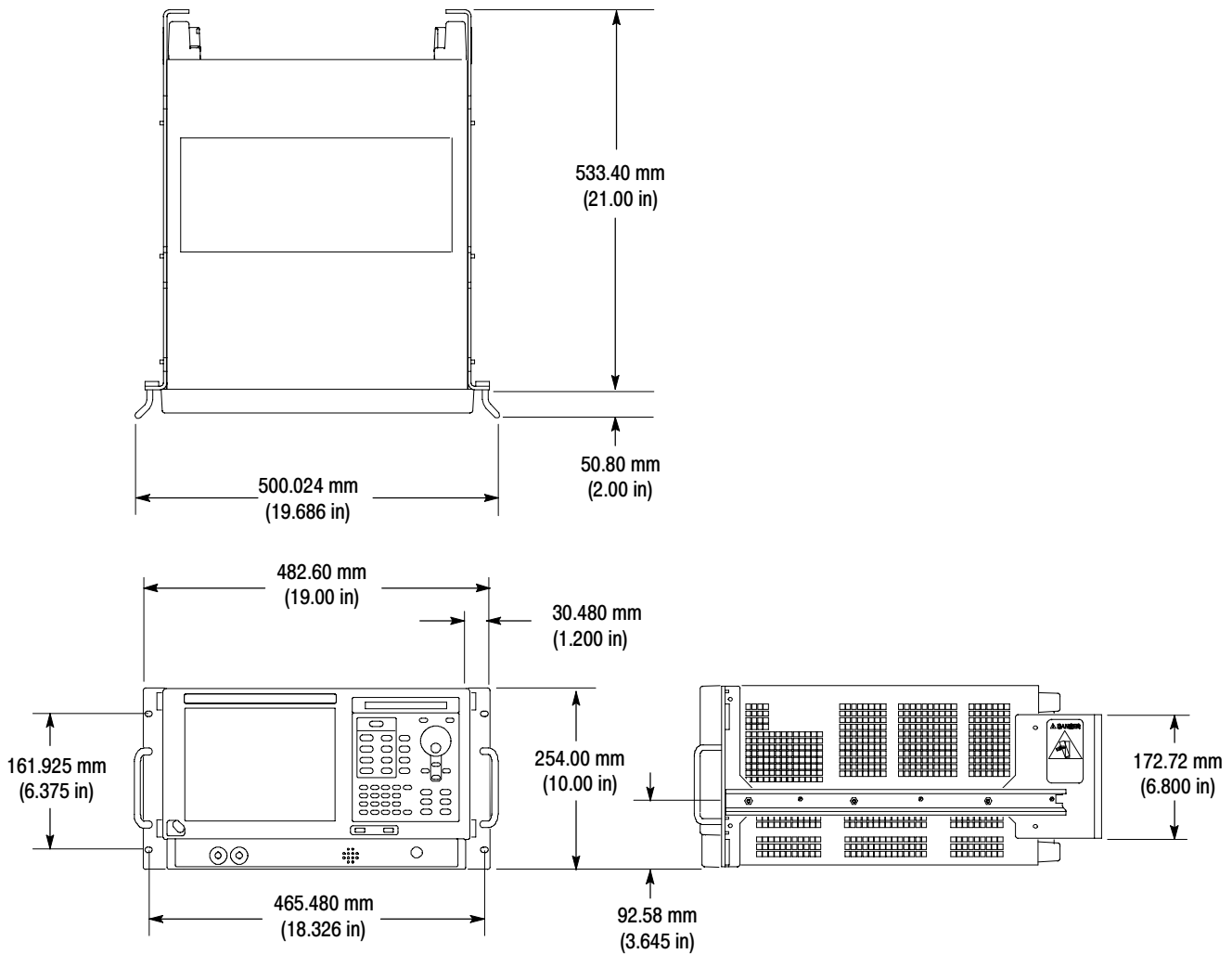


Figure 2: Instrument with Rack Adapter Installed

Installation Instructions

This section contains all procedures needed to rackmount RSA6100A Series instruments.

Minimum Tool and Equipment List

The following tools are required to attach the rack-adapter kit hardware, install cabling hardware, and mount the rack-adapted instrument into a standard equipment cabinet. All tools are standard tools that are readily available.

Table 2: Tools required for rackmount installation

Item no.	Name	Description
1	Screwdriver handle (magnetic)	Accepts 1/4 inch hex-head driver tips
2	No. 2 Phillips or Pozidriv tip	Phillips or Pozidriv-driver tip for number 2 size screw heads
3	T-15 Torx tip	Torx [®] -driver tip for T-15 size screw heads
4	T-20 Torx tip	Torx [®] -driver tip for T-20 size screw heads
5	3/8 inch wrench	Wrench or nutdriver can be used to install slides
6	5/8 inch wrench	Open end wrench to install the optional rear-panel BNCs
7	5/32 inch hex wrench	Hex wrench to remove Allen head screws at front of top cover

These instructions are for qualified service personnel who are familiar with servicing the product. If you need further details for disassembling or reassembling the product, refer to the appropriate product manual. Contact your nearest Tektronix Service Center or Tektronix Factory Service for installation assistance.



WARNING. *To prevent the rackmounted instrument from tipping forward onto the operator, install the instrument so that the operator will be able to access all of its rear devices without pushing down on the instrument.*

Verify that the rack does not become unstable with the instrument fully extended. Do not leave the instrument extended when you are finished accessing the rear panel.

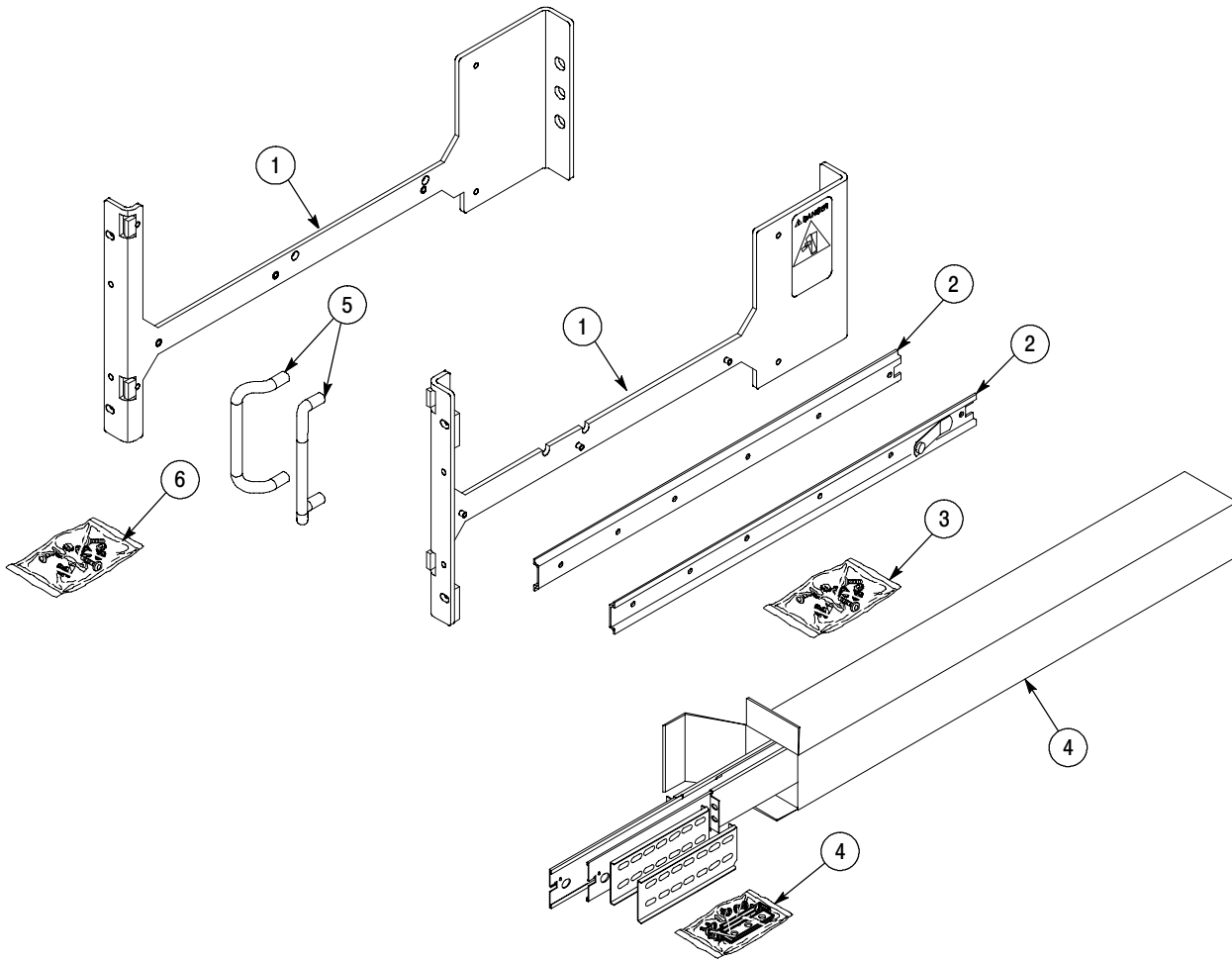


Figure 3: Rackmount kit parts

Remove

Strip the Instrument for Conversion

Equipment Required: Torxdriver (Item 1) with T-15 and T-20 tips (Items 3 and 4), 5/32 hex wrench (Item 7).

NOTE. *All parts removed from the instrument in this procedure should be retained for later use. Store any parts not needed for rackmounting in case you want to convert back to a standard instrument configuration at a later time.*

Right-side or left-side references in these instructions assume you are viewing the instrument from the front panel.

1. Remove the power cord.
2. If it is installed, pull the front cover off the instrument.
3. Remove the two screws that secure the plastic carrying handle to the side of the instrument. (It is not necessary to remove the black metal handles.) See Figure 4.
4. Remove four T-15 Torxdrive screws along each side and two 5/32 Allen head screws near the front edge of the top cover (next to the folding handles) that secure the top and bottom covers to the instrument.
5. Remove the top and bottom covers. Remove the top cover by pulling straight back about 1 inch. Then pull out on the sides of the top cover outward, flexing them slightly to clear the instrument chassis, and pull it away from the instrument.

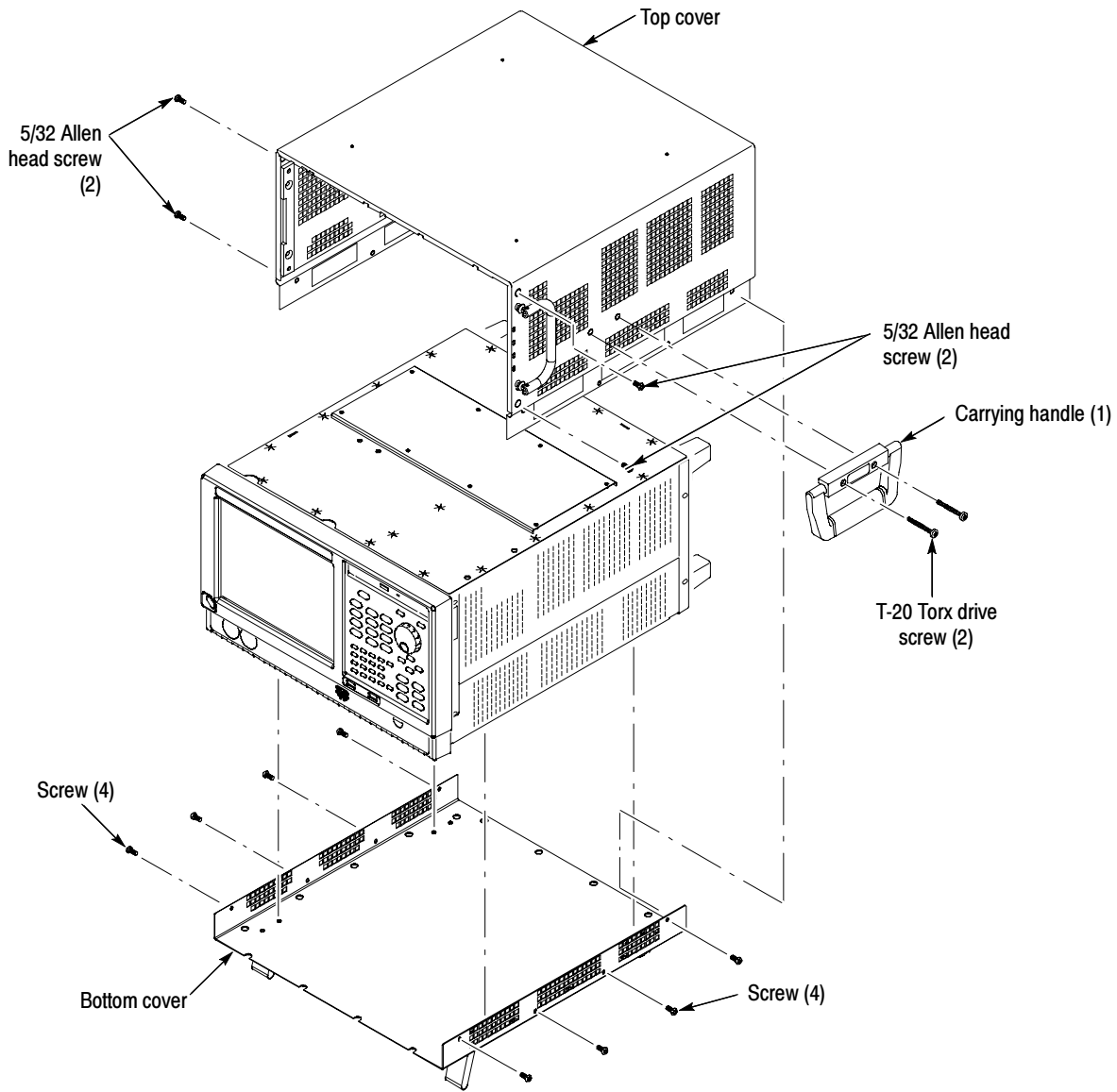


Figure 4: Strip instrument for conversion

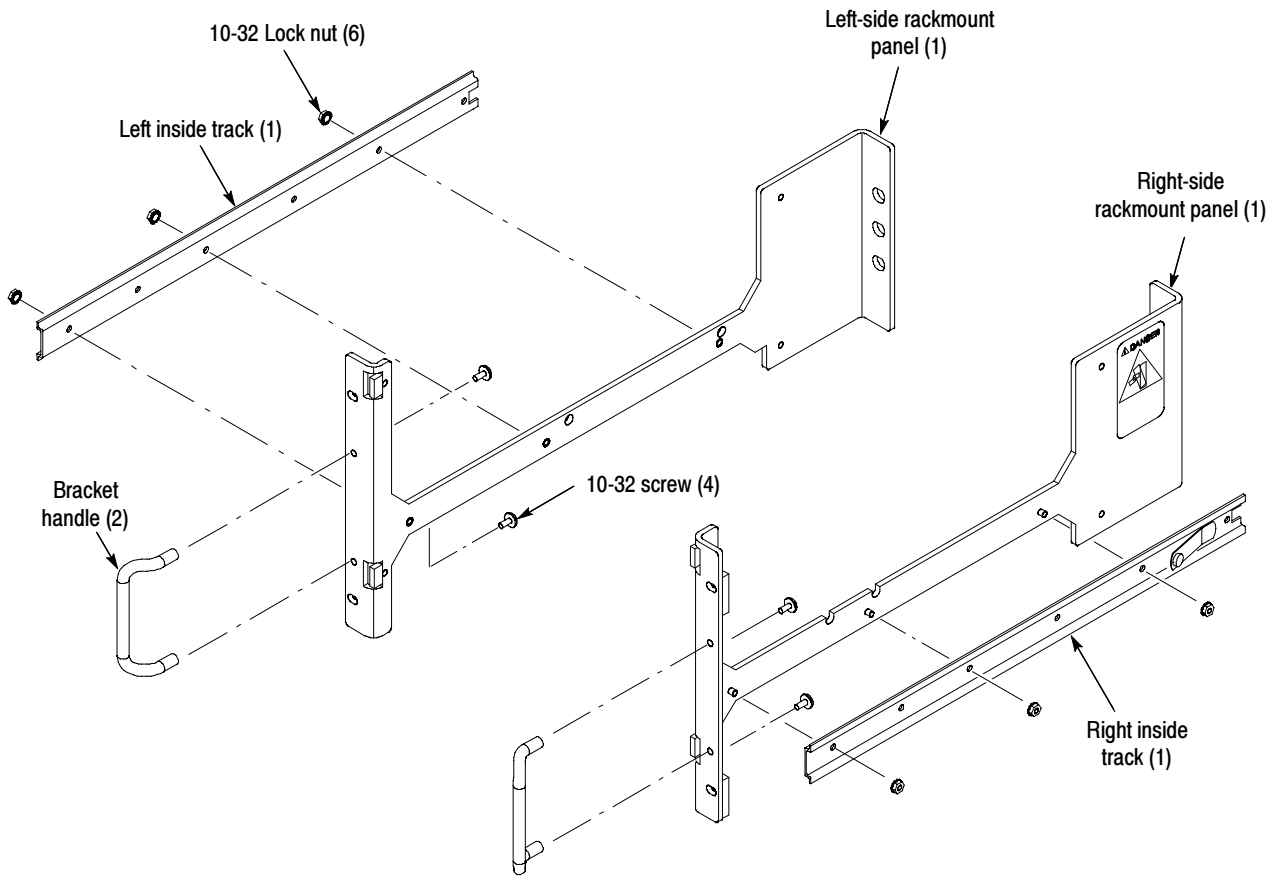


Figure 5: Rackmount panel preassembly

Install

NOTE. Preassemble all subparts on the right- and left-side panels before installing the rackmount panels on the instrument. Refer to Figure 5 on page 11.

1. To install the bracket handle:
 - a. Install the bracket handle to the right-side rackmount panel.
 - b. Secure the bracket handle to the right-side rackmount panel using the two 10-32 x 0.375 flat head screws. Install the screws through the beveled, recessed holes on the back of the flange. Apply 15 inch-lbs of torque to the screws.
2. Install the right-side rackmount track over the three screw posts on the right-side rackmount panel. Use the three 10-32 locking-nut washer assemblies to secure the right-side rack track onto the rackmount panel, applying 28 inch-lbs of torque.



CAUTION. To prevent the rackmount track from not locking, make sure the track button latch is located towards the bottom of the rackmount panel. Refer to Figure 6.

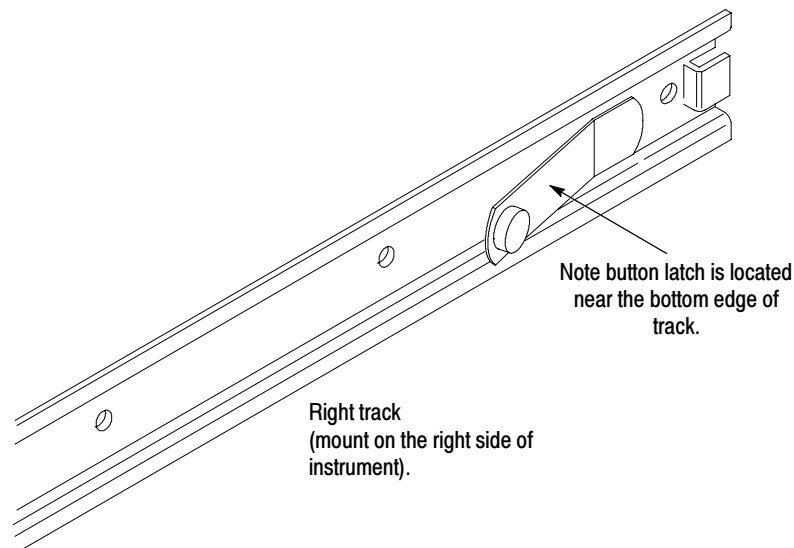


Figure 6: Right inside track identification

3. Install the right-side rackmount panel assembly to the right side of the instrument. Secure it by using the four 10-32 Truss head phillips screws, applying 28 inch-lbs of torque. Refer to Figure 7.
4. Repeat steps 1 through 3, to install the left-side rackmount panel, substituting left-side for the right-side.

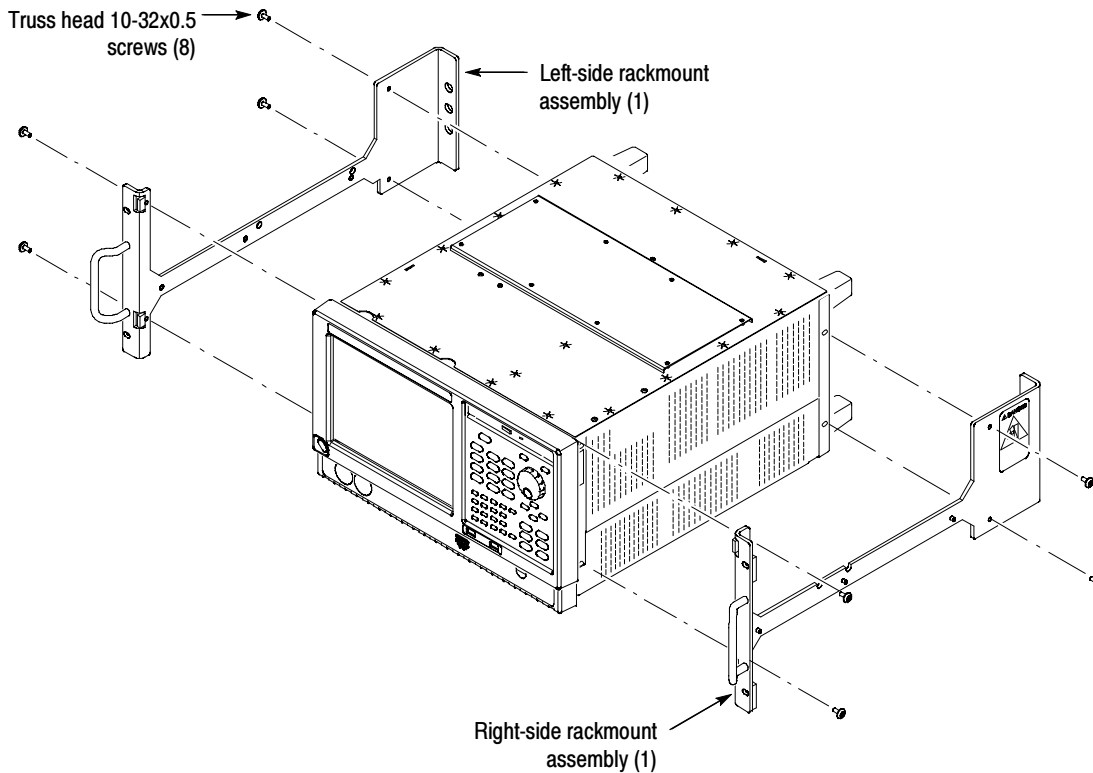


Figure 7: Installation of rackmount assemblies

This completes the installation of the rack-adapter hardware to the instrument. To complete the installation, proceed to *Rackmount the Rack-Adapted Instrument*.

Rackmount the Rack-Adapted Instrument

This procedure describes how to assemble and install the slide-out tracks in the equipment rack, and how to install the rack-adapted instrument in the rack.

The slide-out tracks permit the rack-adapted instrument to be extended out of the rack for rear-panel and connector maintenance without removing the instrument from the rack.



WARNING. *If slide-out track assemblies are disassembled for maintenance, do not interchange the left and right inner tracks when reinstalling them in the left and right outer tracks. If you do so, you will defeat the extension stop (safety latch) feature of the tracks. Equipment could, when extended, come out of the slides and fall from the rack, possibly causing personal injury and equipment damage.*



WARNING. *To prevent the rackmounted instrument from tipping forward onto the operator, install the instrument so that the operator will be able to access all of its rear devices without pushing down on the instrument.*

Verify that the rack does not become unstable with the instrument fully extended. Do not leave the instrument extended when finished accessing the rear panel.

NOTE. *The rack hardware kit contains hardware needed for mounting the instrument in several configurations. Not all of the hardware in the kit will be needed.*

NOTE. *A standard equipment rack has rails with universal hole spacing. If you use a rack with other than universal hole spacing, you may have to drill additional mounting holes in the rack.*

**Install Track Assembly
and Instrument in Rack**

Equipment Required: One screwdriver handle (Item 1), one number two Pozidriv tip (Item 2).

NOTE. *The slide-out track assemblies that are included in this kit (Figure 3 on page 8) come partially assembled with the inner tracks inside of the outer tracks. Leave them partially assembled to simplify their installation and to avoid accidental swapping of their inner tracks. (See WARNING on the previous page.)*

If assemblies are disassembled, use Figure 8, page 16, to match left and right slides. (Note that when the left and right tracks are oriented as shown, the round cutout is below the square cutout at the end of the both inner tracks.)

Procedure:

1. Assemble the slide-out track:
 - a. Identify the right versus left slide-out track assemblies by finding the date code label on each assembly. The assembly to be mounted in the left side of the equipment rack (the side nearest the left side of the instrument when it is rackmounted) has a date code that ends with “LH,” for left hand. The right assembly has a date code ending with “RH”, for right hand.
 - b. Measure the distance between the front and rear rail of the equipment rack.
 - c. Align the rear bracket to the right slide-out track as shown in Figure 8. Note the rear bracket has multiple pairs of mount-through holes. When aligning the bracket and track, be sure to select a pair of holes that mount the rear bracket so the flange-to-flange distance (see figure) matches the front rail to rear rail spacing of the rackmount rack just measured.
 - d. Using a screwdriver with a number two Pozidriv tip, secure the rear bracket to the right slide out track using two screws (10-32) and a nut bar as illustrated. Leave the screws loose so that the overall length of the slide-out track assembly can be adjusted when installing it in the rack.
 - e. Repeat substeps c and d to assemble the left slide-out track assembly.
2. Mount the slide-out track assemblies, using the slide drawer hardware listed in the kit parts list, Figure 3:
 - a. Select the mounting position in rack: Select two ½ inch spaced holes in the front rail. Verify that the 10.500 inch clearances exist relative to those mounting holes. See Figure 9 on page 17.

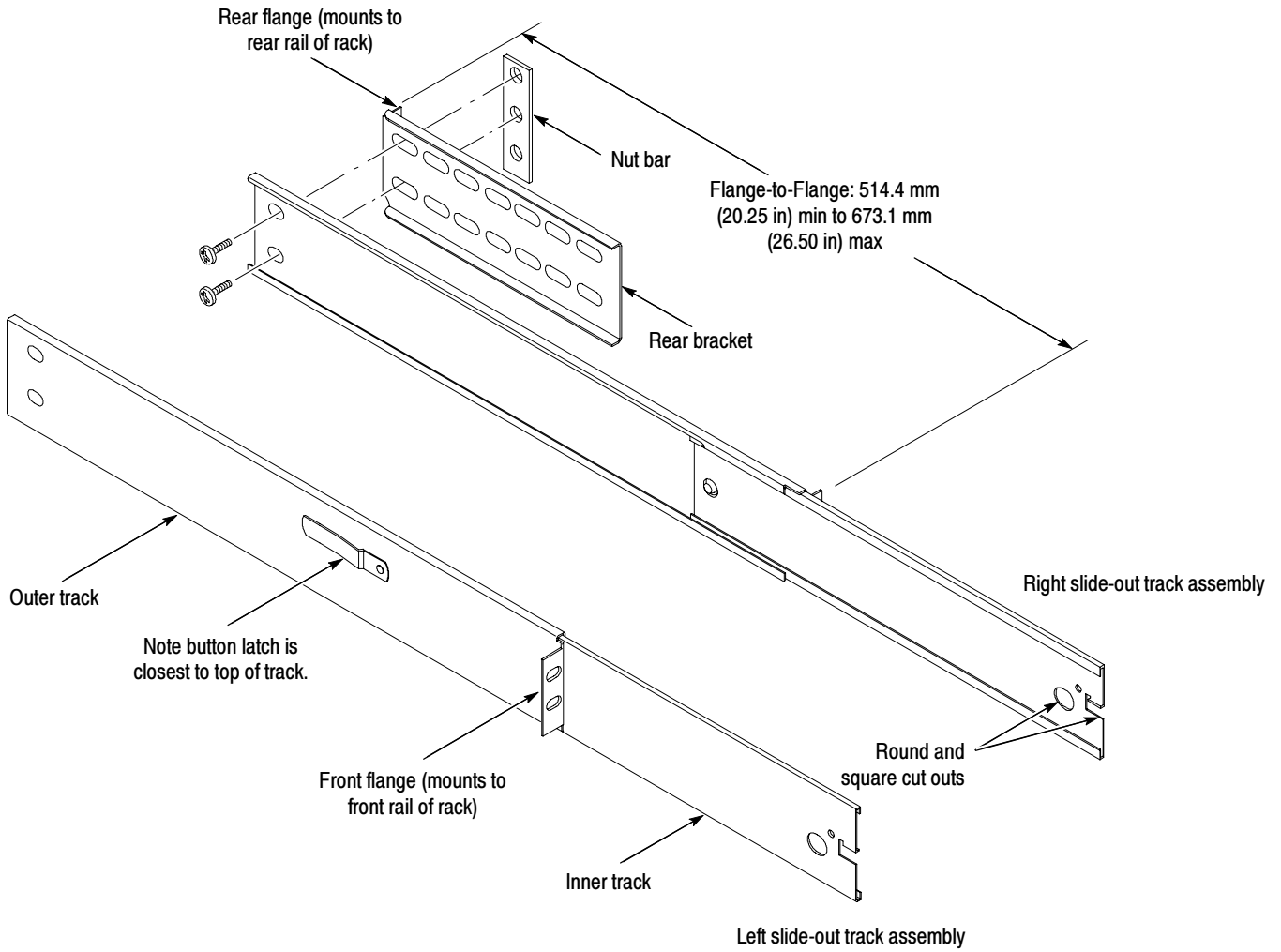


Figure 8: Assembly of slide-out track assemblies

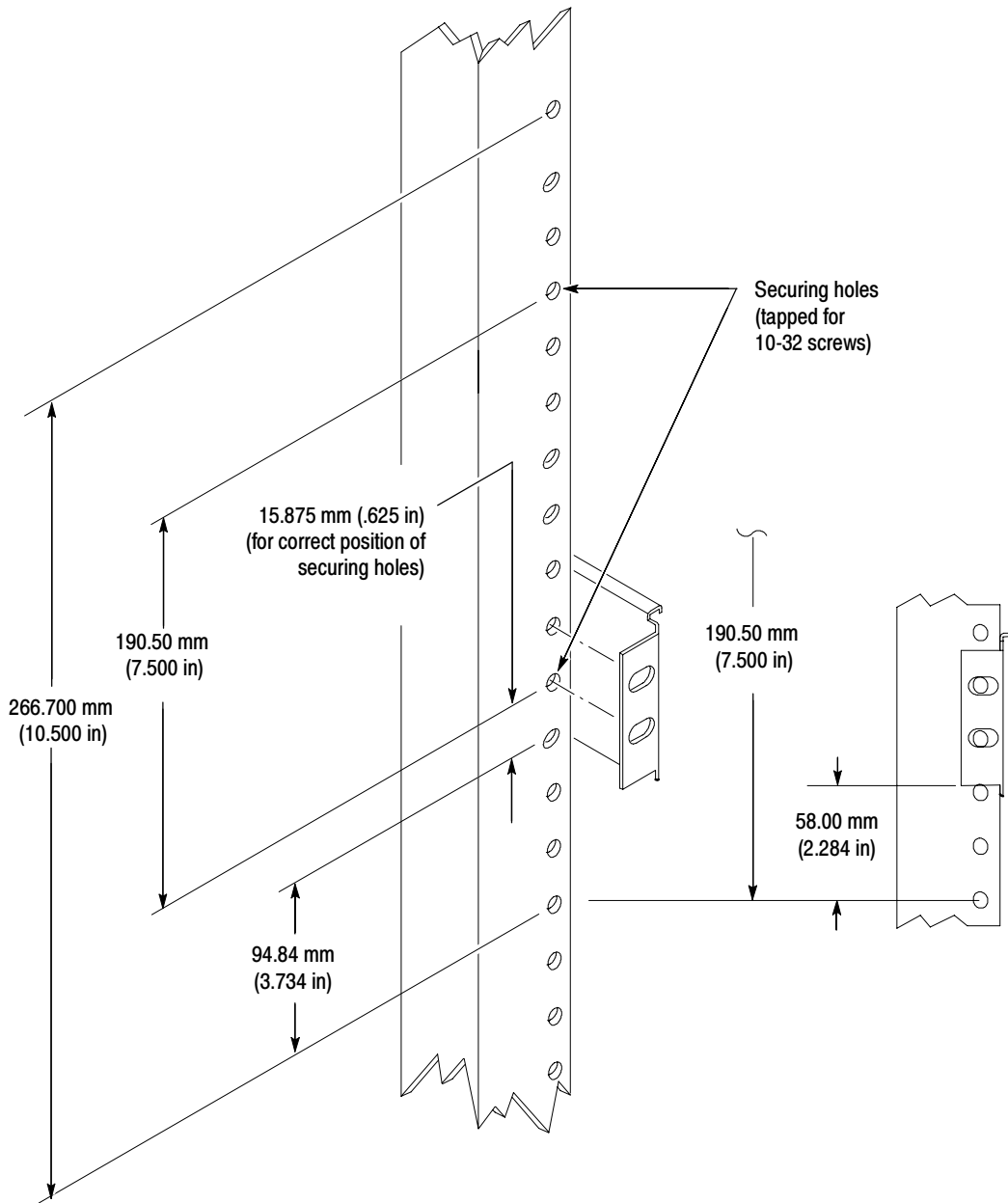


Figure 9: Vertical clearances for rack installation (left-front rail shown)

b. Select mounting method according to rack type:

- To mount the slide-out tracks with their front and rear flanges outside of the front and rear rails use Mounting Method A shown in Figure 10 when doing substep c. Add a nut bar to the installation only if the rails have untapped holes.
- To mount with front and rear flanges inside of rails use Mounting Method B outlined in Figure 10. This mounting method assumes untapped holes.

c. Install in rack: Using the method and hardware determined from substep b, secure the right slide-out track assembly to its front and rear rails. The screws should be fully, but lightly, seated so mounting can be adjusted later.

d. Fix the length of the slide-out track assembly: Tighten the screws, applying 28 inch-lbs of torque, that were left loose in step 1, substep d, to fix the front to rear flange spacing of the slide-out track assembly.

e. Mount the left slide-out track assembly: Repeat substeps a through d to mount the left slide-out track assembly.

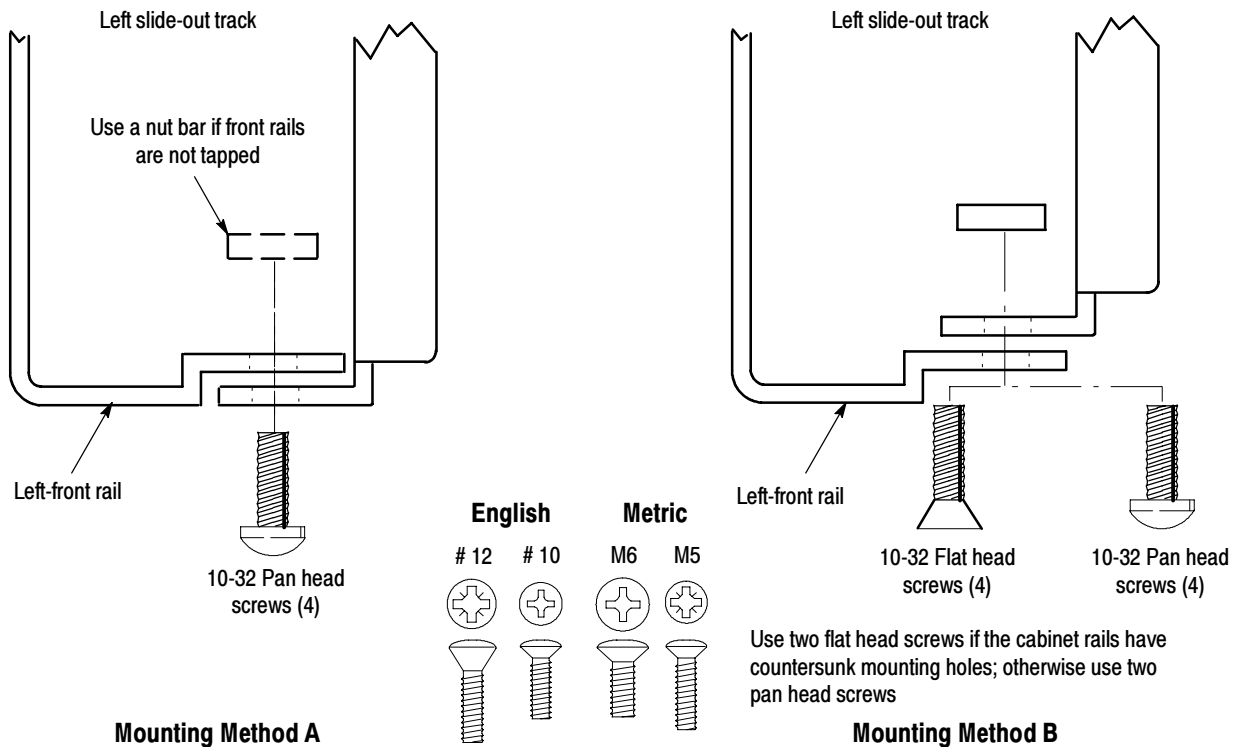


Figure 10: Installation of slide-out track assemblies in rack (top view)

3. Mount instrument in rack:



WARNING. *To prevent the instrument from tipping or dropping onto the installers, two or more people should install this instrument into the rack cabinet.*

After completing the installation procedure, the installers should verify that the instrument and rack cabinet will not tip forward while the instrument is in the extended position.

a. Install the instrument:

- Working from the front of the rack, slide the inner track of each slide-out track assembly until it extends out the front of the rack. Continue to slide them out until they lock.
- Insert the left and right tracks that extend from the rear of the instrument into the ends of the tracks just extended. Make sure the tracks mounted on the instrument slip inside the inner tracks extended earlier.
- Slide the rear of the instrument backwards until it stops.
- Push to release the button latches, located on the outside of each track, and continue to slide the instrument all the way into the cabinet.

b. Level the rackmounted instrument:

- Tighten the four screws that were left loose at the rear of the rack when you did step 2, substep c, and then pull the instrument part way out of the rack.
- Be sure the four screws that were left loose at the front of the rack are loose enough to allow the slide-out track assemblies to seek their normal positions.
- Retighten the four screws and push the instrument all the way into the rack. If the tracks do not slide smoothly, readjust the level using the method just detailed.
- When leveling is completed, tighten the 10-32 screws using 28 inch-lbs of torque.

- c. Secure the instrument and install the power cord:
- Locate and use one of the following types: 10-32 or 12-24 or M5-20 or M6-20 oval head screws. Insert each screw through its nylon finish washer as shown on the data sheet included with the hardware kit.
 - Using a number two phillips screwdriver, install the screw/washer assembly in one of the two mounting holes in the right front bracket. Repeat for the second mounting hole. Tighten both screws using 25 inch-lbs of torque.
 - Install the two remaining screw/washer assemblies in the left front bracket using the method just described.
 - Install the optional front trim panel if the uncovered blank space below the rack-mounted instrument is undesirable. Use the four 10-32 x 0.750 oval head phillips drive screws with four nylon washers to secure the front trim panel to the rack frame. See Figures 3 and 5 on pages 8 and 11.
 - Reinstall the power cord.

❖ End of document ❖