

Instructions

Tektronix

**RM2000B
Rackmount Kit
071-1984-00**

Warning

These instructions are for qualified personnel only. To avoid personal injury, do not assemble or install this rack mount unless you are qualified to do so.

www.tektronix.com



071198400

Copyright © Tektronix. All rights reserved. Licensed software products are owned by Tektronix or its subsidiaries or suppliers, and are protected by national copyright laws and international treaty provisions.

Tektronix products are covered by U.S. and foreign patents, issued and pending. Information in this publication supercedes that in all previously published material. Specifications and price change privileges reserved.

TEKTRONIX and TEK are registered trademarks of Tektronix, Inc.

Contacting Tektronix

Tektronix, Inc.
14200 SW Karl Braun Drive
P.O. Box 500
Beaverton, OR 97077
USA

For product information, sales, service, and technical support:

- In North America, call 1-800-833-9200.
- Worldwide, visit www.tektronix.com to find contacts in your area.

Warranty 15

Tektronix warrants that the product will be free from defects in materials and workmanship for a period of one (1) year from the date of original purchase from an authorized Tektronix distributor. If the product proves defective during this warranty period, Tektronix, at its option, either will repair the defective product without charge for parts and labor, or will provide a replacement in exchange for the defective product. Batteries are excluded from this warranty. Parts, modules and replacement products used by Tektronix for warranty work may be new or reconditioned to like new performance. All replaced parts, modules and products become the property of Tektronix.

In order to obtain service under this warranty, Customer must notify Tektronix of the defect before the expiration of the warranty period and make suitable arrangements for the performance of service. Customer shall be responsible for packaging and shipping the defective product to the service center designated by Tektronix, shipping charges prepaid, and with a copy of customer proof of purchase. Tektronix shall pay for the return of the product to Customer if the shipment is to a location within the country in which the Tektronix service center is located. Customer shall be responsible for paying all shipping charges, duties, taxes, and any other charges for products returned to any other locations.

This warranty shall not apply to any defect, failure or damage caused by improper use or improper or inadequate maintenance and care. Tektronix shall not be obligated to furnish service under this warranty a) to repair damage resulting from attempts by personnel other than Tektronix representatives to install, repair or service the product; b) to repair damage resulting from improper use or connection to incompatible equipment; c) to repair any damage or malfunction caused by the use of non-Tektronix supplies; or d) to service a product that has been modified or integrated with other products when the effect of such modification or integration increases the time or difficulty of servicing the product.

THIS WARRANTY IS GIVEN BY TEKTRONIX WITH RESPECT TO THE PRODUCT IN LIEU OF ANY OTHER WARRANTIES, EXPRESS OR IMPLIED. TEKTRONIX AND ITS VENDORS DISCLAIM ANY IMPLIED WARRANTIES OF MERCHANTABILITY OR FITNESS FOR A PARTICULAR PURPOSE. TEKTRONIX' RESPONSIBILITY TO REPAIR OR REPLACE DEFECTIVE PRODUCTS IS THE SOLE AND EXCLUSIVE REMEDY PROVIDED TO THE CUSTOMER FOR BREACH OF THIS WARRANTY. TEKTRONIX AND ITS VENDORS WILL NOT BE LIABLE FOR ANY INDIRECT, SPECIAL, INCIDENTAL, OR CONSEQUENTIAL DAMAGES IRRESPECTIVE OF WHETHER TEKTRONIX OR THE VENDOR HAS ADVANCE NOTICE OF THE POSSIBILITY OF SUCH DAMAGES.

RM2000B Rackmount Kit

The RM2000B rackmount is designed for use with TDS1000B and TDS2000B series oscilloscopes.

NOTE. This kit is suitable only for TDS1000B and TDS2000B oscilloscopes. Do NOT use this kit for TDS1000 or TDS2000 models.

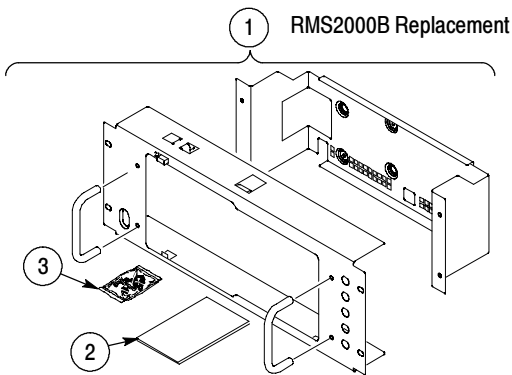


Figure 1: RM2000B Rackmount Kit parts

Figure and index	Part number	Description
1-1	RM2000B	RM2000B Rackmount Kit, includes a front and back panel set, 2 handles, Instructions, bag of screws
1-2	071-1984-XX	RM2000B Rackmount Kit - Instructions
1-3	016-1978-XX	Standard mounting hardware in plastic bag includes:
	not saleable	4 ea (for handles) screws 8-32 x 1/2 phil pan
	not saleable	4 ea (for handles) #8 med spl L/W

Figure and index	Part number	Description
1-3 (cont.)	not saleable	4 ea screws 10-32 x 3/4 poz
	not saleable	4 ea screws 12-24 x 3/4 poz
	not saleable	4 ea screws M 5 x 16 oval head phil
	not saleable	4 ea screws M 6 x 16 oval head phil
	not saleable	4 ea flat washers (M5 and #10 screws)
	not saleable	4 ea flat washers (M6 and #12 screws)
	not saleable	4 ea #10 finish washers

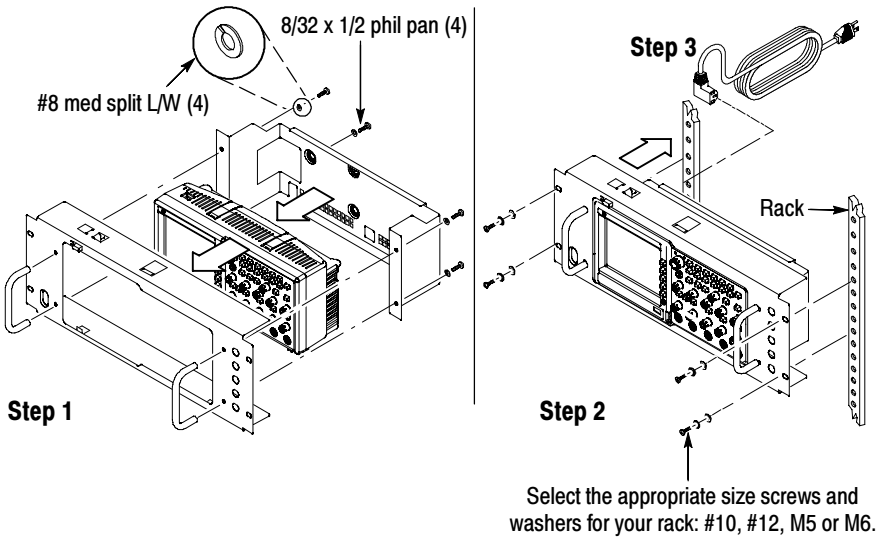
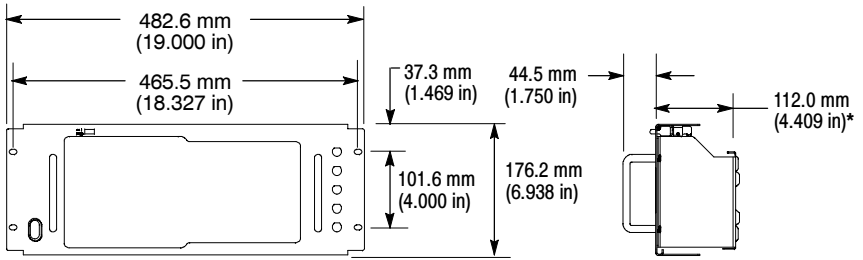


Figure 2: RM2000B Rackmount assembly



* With a TEK-USB-488 adapter connected, the dimension is 160.3 mm (6.311 in).

Figure 3: Dimensions of the RM2000B Rackmount

