

Z-Active™ Probe Deskew Fixture Read This First

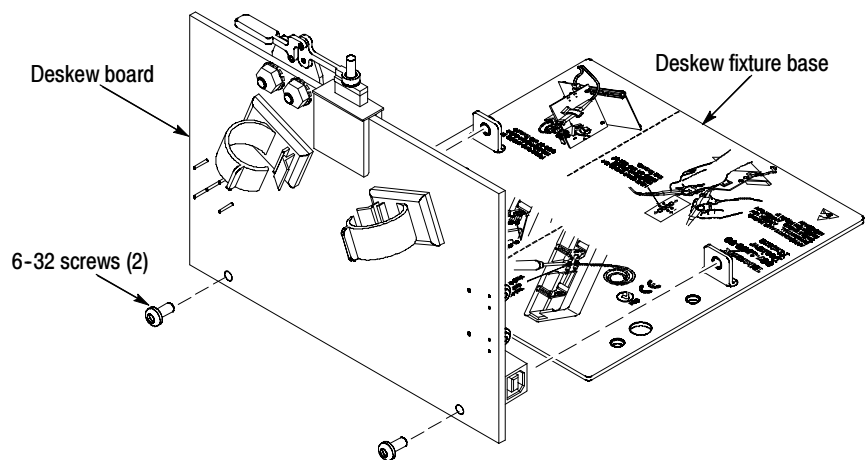
This sheet describes how to assemble the Z-Active Probe Deskew Fixture. The next table lists the parts you received in the shipping container.

Quantity	Part number	Description
1 each	071-1768-XX	Deskew fixture instructions
1 each	NS	Deskew fixture base
1 each	NS	Deskew board
2 each	NS	Screws, 6-32 X 0.312, phil
1 each	NS	Solder box
2 each	NS	Screws, 8-32 X 0.25 poz
1 each	012-0076-00	RF cable, 50 ohm, BNC to BNC
1 each	174-5194-00	USB cable, 6 ft
1 each	131-7931-00	Pins (bag of 20)

NS - Not Saleable

To assemble the probe deskew fixture, follow these steps:

1. Align the deskew board on the fixture base, and install the two 6-32 screws.

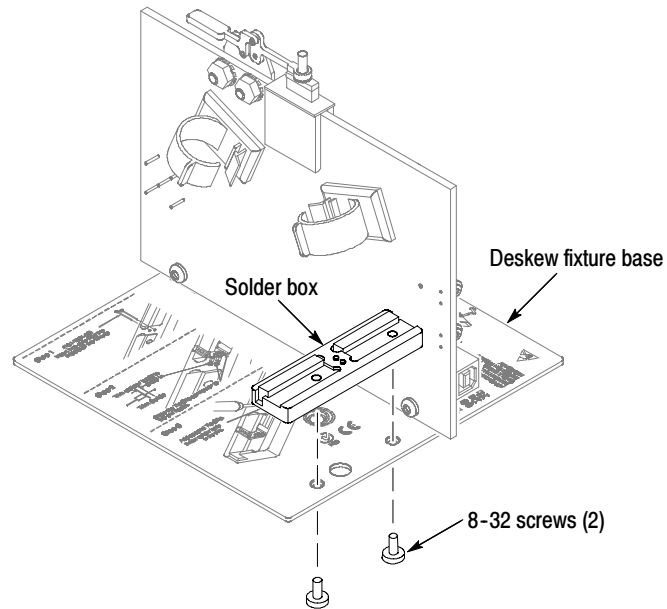


071-2053-01

Tektronix

Read This First

2. Align the solder box on the fixture base, and install the two 8-32 screws.



3. Refer to the Z-Active Probe Deskew Fixture Instructions (Tektronix part number 071-1768-XX) for information on how to use the fixture to deskew Z-Active probes.