

TDS3CHG
Version CENB1030A1803F02 (119-7862-00)
Battery Charger
Instructions

www.tektronix.com



071-2901-00

Tektronix

Copyright © Tektronix. All rights reserved. Licensed software products are owned by Tektronix or its subsidiaries or suppliers, and are protected by national copyright laws and international treaty provisions.

Tektronix products are covered by U.S. and foreign patents, issued and pending. Information in this publication supersedes that in all previously published material. Specifications and price change privileges reserved.

TEKTRONIX and TEK are registered trademarks of Tektronix, Inc.

Contacting Tektronix

Tektronix, Inc.
14150 SW Karl Braun Drive
P.O. Box 500
Beaverton, OR 97077
USA

For product information, sales, service, and technical support:

- In North America, call 1-800-833-9200.
- Worldwide, visit www.tektronix.com to find contacts in your area.

Table of Contents

General Safety Summary	1
Safety Compliance Information.....	2
Product Description	4
Charging the Battery Pack	5
Troubleshooting Information.....	6
Warranty Information	6

General Safety Summary

Review the following safety precautions to avoid injury and prevent damage to this product or any products connected to it.

To avoid potential hazards, use this product only as specified.

Only qualified personnel should perform service procedures.

To Avoid Fire or Personal Injury

Use proper power cord. Use only the power cord specified for this product and certified for the country of use.

Ground the product. This product is grounded through the grounding conductor of the power cord. To avoid electric shock, the grounding conductor must be connected to earth ground. Before making connections to the input or output terminals of the product, ensure that the product is properly grounded.

Observe all terminal ratings. To avoid fire or shock hazard, observe all ratings and markings on the product. Consult the product manual for further ratings information before making connections to the product.

Power Disconnect. The power cord disconnects the product from the power source. Do not block the power cord; it must remain accessible to the user at all times.

Do not operate without covers. Do not operate this product with covers or panels removed.

Avoid exposed circuitry. Do not touch exposed connections and components when power is present.

Do not operate with suspected failures. If you suspect there is damage to this product, have it inspected by qualified service personnel.

Do not operate in wet/damp conditions.

Do not operate in an explosive atmosphere.

Keep product surfaces clean and dry.

Terms In This Manual

These terms may appear in this manual:



WARNING. *Warning statements identify conditions or practices that could result in injury or loss of life.*



CAUTION. *Caution statements identify conditions or practices that could result in damage to this product or other property.*

Symbols and Terms on the Product

- DANGER indicates an injury hazard immediately accessible as you read the marking.
- WARNING indicates an injury hazard not immediately accessible as you read the marking.
- CAUTION indicates a hazard to property including the product

The following symbol(s) may appear on the product:



Safety Compliance Information

This section lists the safety standards with which the instrument complies.

NOTE. *The CENB1030A1803F02 (119-7862-00) regulatory compliance information is limited to the certifications and compliances described in this document.*

U.S. Nationally Recognized Testing Laboratory Listing

- UL60950–1, 2nd Edition, 2007, Information Technology Equipment – Safety – Part 1: General Requirements

Canadian Certification

- CSA C22.2 No. 60950–1–07, 2nd Edition, 2007, Information Technology Equipment – Safety – Part 1: General Requirements

Additional Compliances

- IEC 60950–1:2005, Second Edition, Information Technology Equipment – Safety – Part 1: General Requirements.

Safety Class

Class 1 – grounded product.

Pollution Degree

Pollution Degree 2 (as defined in IEC 60950-1). Note: Rated for indoor, dry location use only.

Installation Category

Installation Category II (as defined in IEC 60950-1):

- PLUGGABLE or PERMANENTLY CONNECTED EQUIPMENT that will be supplied from the building wiring.

Product Description

This product is the SL Power CENB1030A1803F02 (119-7862-00), a version of the TDS3CHG.

Where the TDS3CHG is referenced in the TDS3000C User manual (Tektronix part number 071-2308-XX) and in the TDS3BATC Instruction Sheet (Tektronix part number 071-0900-XX), the CENB1030A1803F02 (119-7862-00) should be used in its place.

Other power sources must not be used for charging the TDS3BATC.



CAUTION. *The CENB1030A1803F02 (119-7862-00) must only be used within its ratings as described in this document.*

The CENB1030A1803F02 (119-7862-00) is for use with the TDS3BATC battery packs. Typical charge time is approximately 6 hours for the TDS3BATC.

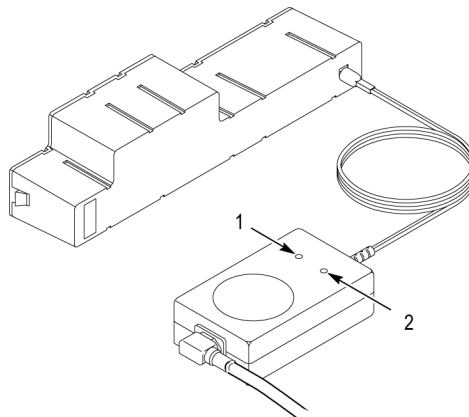


Table 1: Specifications

Input	100-240 VAC, 50/60 Hz
Output	30 W, 18 VDC, 1.67 A (current limited)
Operating temperature	0 °C to +40 °C
Max Operating Altitude	2000 Meters (approximately 6600 ft.)

Charging the Battery Pack

NOTE. Refer to the *TDS3BATC Rechargeable Battery Pack Instructions* (Tektronix part number 071-0900-XX) for information on storage, transportation, and end-of-life recycling or disposal of the TDS3BATC Lithium-Ion battery pack.

For optimum performance, charge any battery pack before using it for the first time or after prolonged storage.

NOTE. To determine the state of charge of the TDS3BATC battery pack, it must be installed in the TDS3000C with the AC power disconnected. Also, the CENB1030A1803F02 (119-7862-00) will not indicate when it is charging the battery, or when charging of the TDS3BATC battery pack has been completed.

To discharge any battery pack completely, continue to run the oscilloscope on the battery pack until automatic shutdown occurs. The display may turn white a few minutes before the automatic shutdown to allow the oscilloscope to completely discharge the battery pack.



CAUTION. To prolong the life of the battery pack and to prevent shutdown, do not use or charge the battery pack at high temperatures. For best results, allow the battery pack to cool to room temperature before using or charging the battery pack.

The battery pack disconnects from charging under the following conditions:

- The battery pack is fully charged.
- The battery pack temperature exceeds +45 °C (113 °F).
- The charge time exceeds 6.5 hours with the TDS3BATC battery.

When the battery pack is in the oscilloscope, the gauge icon  on the display indicates the amount of charge.

NOTE. The CENB1030A1803F02 (119-7862-00) external charger may increase the available charge and reset the gauge to a higher level. Subsequent charges using the oscilloscope may indicate less than a full charge.

Troubleshooting Information

If the CENB1030A1803F02 (119-7862-00) does not charge the battery pack, try these steps before returning the battery pack or the charger for service:

- Using the 10 A range, connect a DMM across the output terminals of the CENB1030A1803F02 (119-7862-00). Verify that the current reading is 1.2 A or greater.
- Store the battery pack at room temperature for several hours and then try to charge it again.

Warranty Information

For warranty information, go to www.tektronix.com/service, and then use the provided links to search for your product's warranty.