

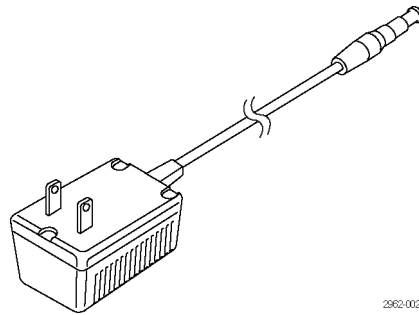
BC190/806 THS3000 Series Oscilloscopes AC Adapter/Power Supply (Japan Only)

Instructions



Description

The BC190/806 AC Adapter is for use with THS3000 Series handheld oscilloscopes in Japan. This adapter uses an integral AC connector and is a direct replacement for the line-corded adapter that is described in the related THS3000 Series manuals. This adapter can also be used with the THSCHG battery charging base to charge the THSBAT Li-ion battery packs.



2962-002

NOTE. Refer to the THSBAT Rechargeable Battery Pack Instructions (Tektronix part number 071-2960-xx) for information on storage, transportation, and end-of-life recycling or disposal of the THSBAT Lithium-Ion battery pack.

Specifications

Characteristic	Description
Line frequency	50/60 Hz $\pm 5\%$
Input voltage	100 VAC $\pm 10\%$
Input current	350 mA @ maximum load
Output voltage	18 VDC $\pm 5\%$
Output current	840 mA
Output connector	5 mm, – to center pin, + to outer contact
Operating temperature	0 °C to +40 °C (+32 °F to +104 °F)
Altitude	2000 m (6562 ft)
Humidity	80% up to 31 °C (88 °F)
Pollution Degree	Pollution Degree 2

Safety Summary

To avoid potential hazards, use this product only as specified.

To Avoid Fire or Personal Injury

Recharge battery properly. Recharge the battery pack only for the recommended charge cycle at the recommended temperature.

Ground the Product. This product is grounded through the grounding conductor of the power cord. To avoid electric shock, the grounding conductor must be connected to earth ground. Before making connections to the input or output terminals of the product, ensure that the product is properly grounded.

Power Disconnect. The power cord disconnects the product from the power source. Do not block the power cord; it must remain accessible to the user at all times.

Use proper battery charger. Use only the THSCHG charger or the THS3000 series oscilloscope to charge the THSBAT Lithium-Ion battery pack.

Do not operate without covers. Do not operate this product with covers or panels removed.

Do not operate with suspected failures. If you suspect there is damage to this product, have it inspected by qualified service personnel.

Do not operate in wet/damp conditions. The adapter has an IP20 rating and is not designed to operate in wet or humid environments.

Keep product surfaces clean and dry.

Safety Terms in This Manual

CAUTION. These statements identify conditions or practices that could result in damage to the equipment or other property.



071-3017-00

Tektronix

Safety Symbols on the Product



This symbol indicates that this product complies with the applicable European Union requirements according to Directives 2002/96/EC and 2006/66/EC on waste electrical and electronic equipment (WEEE) and batteries. For information about recycling options, check the Support/Service section of the Tektronix Web site (www.tektronix.com).

Warranty Information

For warranty information, go to the www.tektronix.com Web site, and search for “THS warranty”.

Contacting Tektronix

Tektronix, Inc.
14200 SW Karl Braun Drive
P.O. Box 500
Beaverton, OR 97077
USA

For product information, sales, service, and technical support:

- In North America, call 1–800–833–9200.
- Worldwide, visit www.tektronix.com to find contacts in your area.