

DPPRACK rack mount Instructions

Use the following instructions with the parts in this kit to install your DPP125C instrument in an instrument rack.

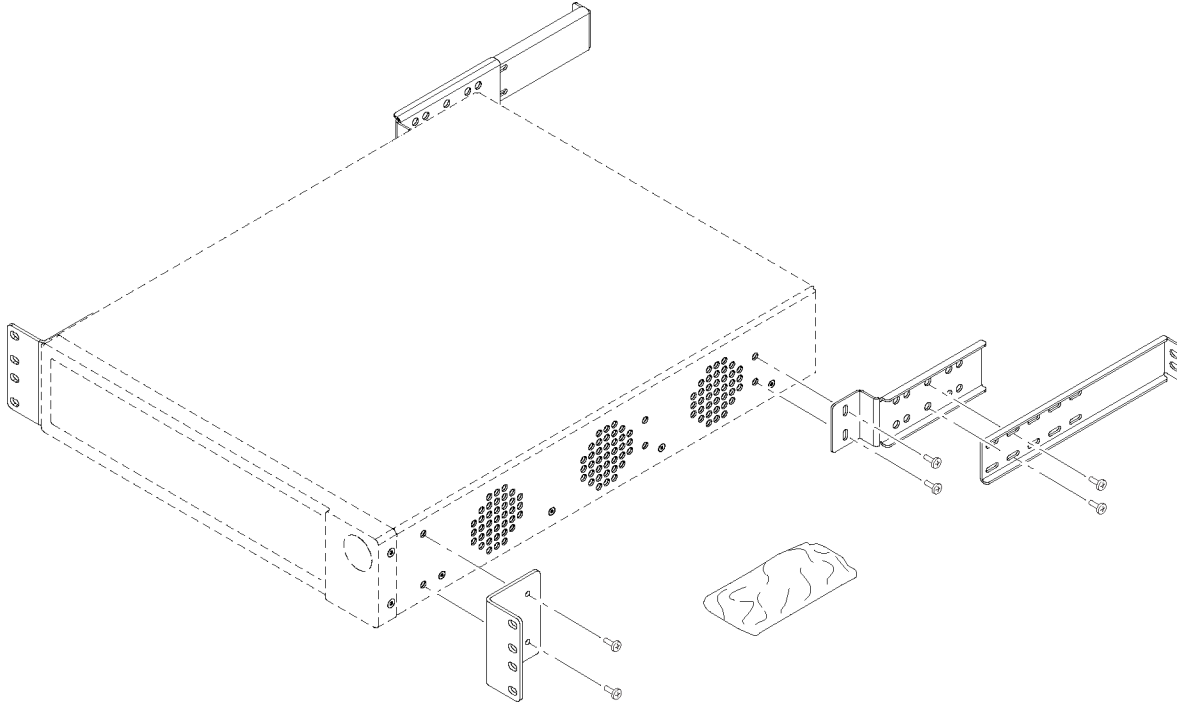


Table 1: DPPRACK parts list

Quantity	Part number	Description
2	386-7689-00	BRACKET, RACK, REAR MOUNT
2	386-7687-00	BRACKET, RACK, FRONT
2	386-7688-00	BRACKET ASSY,RACK, REAR MOUNT
20	212-0251-00	SCREW, MACHINE 10-32 x.500

1. Attach the brackets to each side of the instrument as shown using 12 of the 10-32 screws (six screws on each side of the instrument).
2. Install the assembled instrument into the rack using either the remaining 10-32 screws from the kit or hardware that came with your rack.

