

Instructions



050-3264-01

Fan Replacement Kit

TLA721/7XM Series Logic Analyzers

075-0152-01

Warning

The servicing instructions are for use by qualified personnel only. To avoid personal injury, do not perform any servicing unless you are qualified to do so. Refer to all safety summaries prior to performing service.

www.tektronix.com



075015201

Copyright © Tektronix, Inc. All rights reserved.

Tektronix products are covered by U.S. and foreign patents, issued and pending. Information in this publication supercedes that in all previously published material. Specifications and price change privileges reserved.

Tektronix, Inc., P.O. Box 500, Beaverton, OR 97077

TEKTRONIX and TEK are registered trademarks of Tektronix, Inc.

General Safety Summary

Review the following safety precautions to avoid injury and prevent damage to this product or any products connected to it.

To avoid potential hazards, use this product only as specified.

Only qualified personnel should perform service procedures.

While using this product, you may need to access other parts of the system. Read the *General Safety Summary* in other system manuals for warnings and cautions related to operating the system.

To Avoid Fire or Personal Injury

Use Proper Power Cord. Use only the power cord specified for this product and certified for the country of use.

Ground the Product. This product is grounded through the grounding conductor of the power cord. To avoid electric shock, the grounding conductor must be connected to earth ground. Before making connections to the input or output terminals of the product, ensure that the product is properly grounded.

Observe All Terminal Ratings. To avoid fire or shock hazard, observe all ratings and markings on the product. Consult the product manual for further ratings information before making connections to the product.

Do not apply a potential to any terminal, including the common terminal, that exceeds the maximum rating of that terminal.

Do Not Operate Without Covers. Do not operate this product with covers or panels removed.

Use Proper Fuse. Use only the fuse type and rating specified for this product.

Avoid Exposed Circuitry. Do not touch exposed connections and components when power is present.

Do Not Operate With Suspected Failures. If you suspect there is damage to this product, have it inspected by qualified service personnel.

Do Not Operate in Wet/Damp Conditions.

Do Not Operate in an Explosive Atmosphere.

Keep Product Surfaces Clean and Dry.

Provide Proper Ventilation. Refer to the manual's installation instructions for details on installing the product so it has proper ventilation.

Symbols and Terms

Terms in this Manual. These terms may appear in this manual:



WARNING. *Warning statements identify conditions or practices that could result in injury or loss of life.*



CAUTION. *Caution statements identify conditions or practices that could result in damage to this product or other property.*

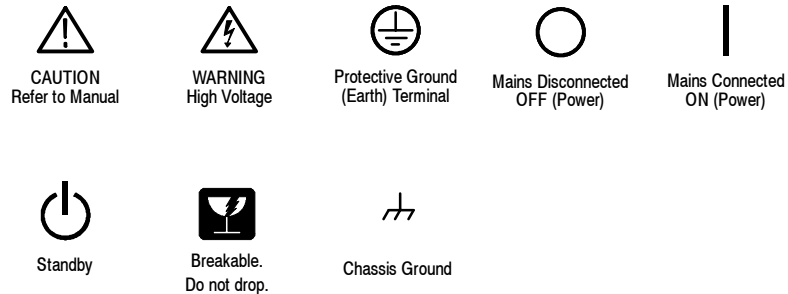
Terms on the Product. These terms may appear on the product:

DANGER indicates an injury hazard immediately accessible as you read the marking.

WARNING indicates an injury hazard not immediately accessible as you read the marking.

CAUTION indicates a hazard to property including the product.

Symbols on the Product. The following symbols may appear on the product:



Service Safety Summary

Only qualified personnel should perform service procedures. Read this *Service Safety Summary* and the *General Safety Summary* before performing any service procedures.

Do Not Service Alone. Do not perform internal service or adjustments of this product unless another person capable of rendering first aid and resuscitation is present.

Disconnect Power. To avoid electric shock, switch off the instrument power, then disconnect the power cord from the mains power.

Use Care When Servicing With Power On. Dangerous voltages or currents may exist in this product. Disconnect power, remove battery (if applicable), and disconnect test leads before removing protective panels, soldering, or replacing components.

To avoid electric shock, do not touch exposed connections.

Kit Description

This kit is used to replace the cooling fan in the back of TLA721 and TLA7XM instruments. If your instrument contains an early-version monitor board, the adapter cable in this kit is used to adapt the replacement fan to the older board.

This document supports Tektronix modification: ECR 30098

Products

TLA721	All
TLA7XM	All

Minimum Tool and Equipment List

Required tools and equipment	Part number
Torx screwdriver with T-15 and T-20 tips	n/a
Phillips #1 screwdriver	n/a
3/32-inch Allen wrench (hex wrench)	n/a

Kit Parts List

Circuit/figure number	Quantity	Part number	Description
	1 ea	050-3264-01	Parts Repl Kit: TLA721/7XM Fan
		119-7089-00	Fan
		119-7076-00	Adapter cable
		075-0152-01	Instructions

Installation Instructions

These instructions are for qualified service personnel who are familiar with servicing the product. If you need further details for disassembling or reassembling the product, refer to the appropriate product manual. Contact your nearest Tektronix, Inc., Service Center or Tektronix Factory Service for installation assistance.



CAUTION. *To prevent static discharge damage, service the product only in a static-free environment. Observe standard handling precautions for static-sensitive devices while installing this kit. Always wear a grounded wrist strap, grounded foot strap, and static resistant apparel while installing this kit.*

Remove the Fan Assembly

You will need a Phillips #1 screwdriver and an Allen wrench to complete these procedures.

Removal

To remove the fan assembly, refer to Figures 1 through 3 while performing the following steps:

1. Power off the instrument and disconnect the power cord.
2. From the back of the chassis, unscrew the captive screw that attaches the cable cover (see Figure 1 on page 4). Remove the cable cover and set it aside.
3. Unplug the fan cable by squeezing the tab on the connector.
4. Unscrew the two captive screws that attach the monitor board to the chassis.
5. Slide the monitor board out of the chassis.
6. If the monitor board part number is 671-3982-XX, move the jumper at J19 (near the bottom of the board) from pins 2-3 to pins 1-2.

NOTE. If access to the back of the chassis is difficult, you can remove the entire fan assembly by removing the five captive screws for the fan housing. Then, move the fan assembly to a more convenient location.

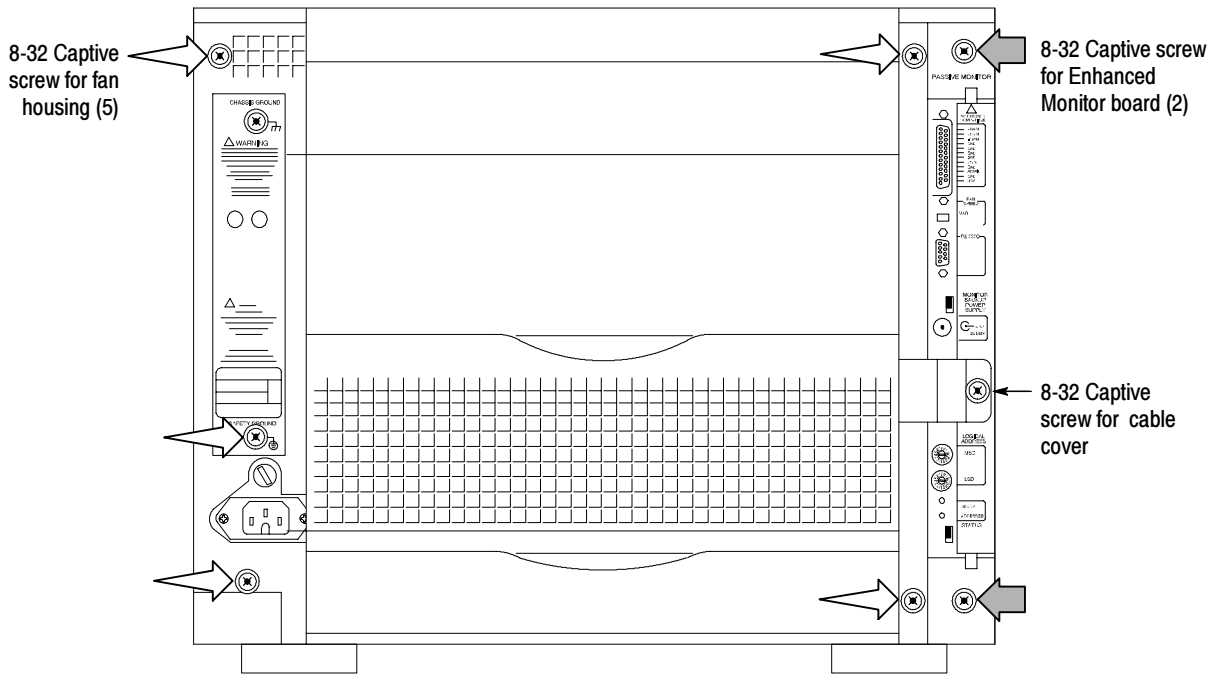


Figure 1: Location of screws for fan assembly removal

7. To remove the fan, remove the ten Allen screws holding the shroud part of the fan assembly to the chassis part of the assembly. There are three screws on each side and four on the bottom (see Figure 2 on page 5). Set the shroud aside.

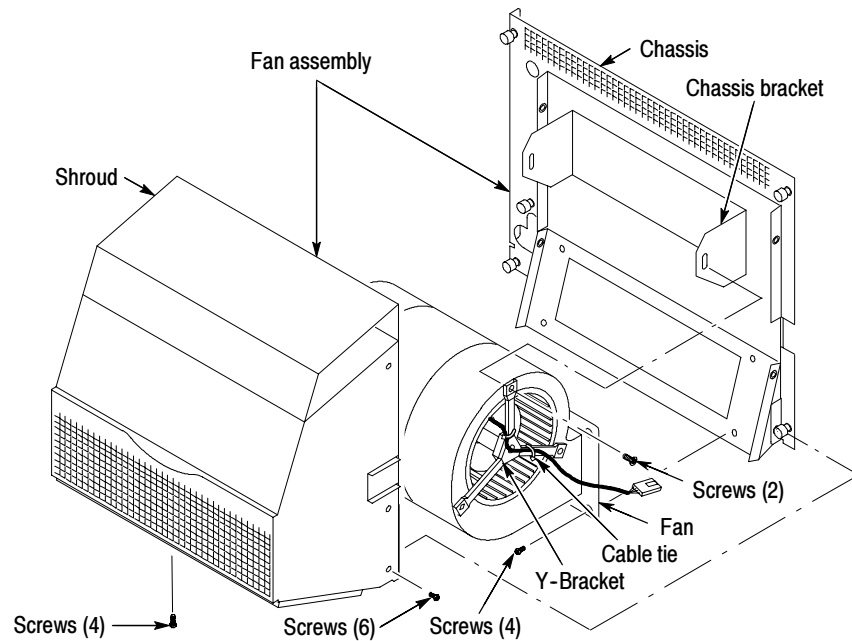


Figure 2: Removing the fan assembly

8. Remove the four screws that hold the fan to the chassis part of the fan assembly.



CAUTION. If you have not removed the entire assembly from the chassis, be careful to support the fan so that it does not drop when you remove the two sheet metal screws in the next step.

9. Remove the two sheet metal screws at the top of both sides of the fan. Note the location of the chassis bracket (between the fan and the “Y” brackets).

Install

Install the new fan assembly and cable adapter by following these steps:

1. On the new fan, remove the two sheet metal screws from the same locations as you did on the old fan in step 9. Mount the new fan with the chassis bracket inserted between the fan and the “Y” brackets where you removed the screws, and then reinstall the two sheet metal screws.
2. Install the four screws that hold the fan to the chassis part of the fan assembly.
3. Reinstall the fan shroud with the ten Allen screws.

4. If the monitor board part number is 671-3982-XX, then slide the monitor board into the chassis and secure it with the two screws. Plug the cable adapter that came with the kit into J8, 1/BLOWER on the monitor board. Bend the cable adapter towards the fan at the shrouded connector end. See Figure 3.
5. If the monitor board part number is *not* 671-3982-XX, install the monitor board, plug the fan cable directly into J8, 1/BLOWER, and proceed to step 7.

NOTE. When reconnecting the fan cables to the chassis, verify that you connect the fan cable (or cable adapter) to J8, 1/BLOWER.

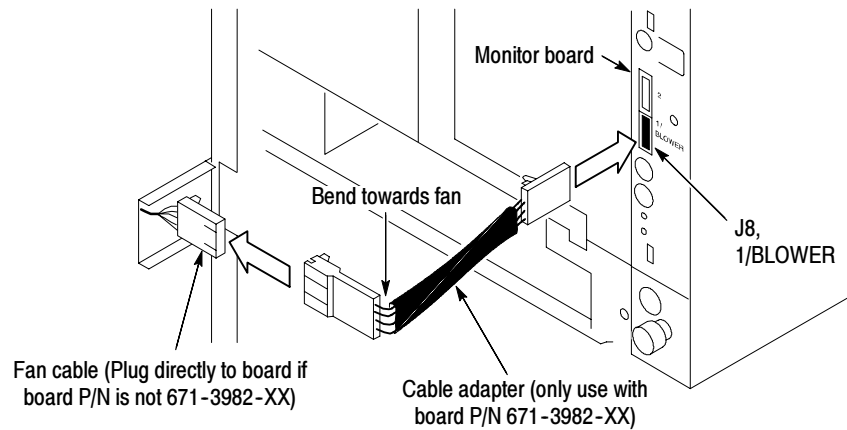


Figure 3: Attach the fan cable (and cable adapter, if necessary)

6. Plug the fan cable into the cable adapter and push the excess cable into the fan shroud. Dress the excess cable away from the fan blades.
7. Install the cable cover and tighten the screw.

Verify Operation

1. Connect the power cord to an appropriate source.
2. Power on the instrument and check for proper fan operation.

❖ End of document ❖