

Instructions



**MTX10UP01, MTX10UP02, MTX10UP05,
and MTX10UP07**

Interface Module Installation

MTX100A MPEG Recorder & Player

075-0884-00

Warning

The servicing instructions are for use by qualified personnel only. To avoid personal injury, do not perform any servicing unless you are qualified to do so. Refer to all safety summaries prior to performing service.

www.tektronix.com



075088400

Copyright © Tektronix, Inc. All rights reserved. Licensed software products are owned by Tektronix or its subsidiaries or suppliers, and are protected by national copyright laws and international treaty provisions.

Tektronix products are covered by U.S. and foreign patents, issued and pending. Information in this publication supercedes that in all previously published material. Specifications and price change privileges reserved.

TEKTRONIX and TEK are registered trademarks of Tektronix, Inc.

Contacting Tektronix

Tektronix, Inc.
14200 SW Karl Braun Drive
P.O. Box 500
Beaverton, OR 97077
USA

For product information, sales, service, and technical support:

- In North America, call 1-800-833-9200.
- Worldwide, visit www.tektronix.com to find contacts in your area.

Service Safety Summary

Only qualified personnel should perform service procedures. Read this *Service Safety Summary* and the *General Safety Summary* in the product service manual or the user manual.

Do Not Service Alone. Do not perform internal service or adjustments of this product unless another person capable of rendering first aid and resuscitation is present.

Disconnect Power. To avoid electric shock, disconnect the mains power by means of the power cord or, if provided, the power switch.

Use Care When Servicing With Power On. Dangerous voltages or currents may exist in this product. Disconnect power, remove battery (if applicable), and disconnect test leads before removing protective panels, soldering, or replacing components.

To avoid electric shock, do not touch exposed connections.

Kit Description

This kit provides parts and instructions to upgrade your MTX100A MPEG Recorder & Player to Option 01, Option 02, Option 05, or Option 07. The interface board varies depending on which option you install (see the parts lists on page 2), but the installation instructions are the same for all options.

These instructions apply for the following upgrades:

- MTX10UP01 (Option 01): adds the ASI interface module
- MTX10UP02 (Option 02): adds the universal parallel/serial interface module
- MTX10UP05 (Option 05): adds the IEEE1394/ASI interface module
- MTX10UP07 (Option 07): adds the SMPTE310M/ASI/SPI interface module

Products

MTX100A standard instruments

Minimum Tool and Equipment List

Required tools and equipment	Description
Screwdriver handle	Accepts Torx-driver bits
T-10 Torx tip	Torx-driver bit for T-10 size screw heads
T-15 Torx tip	Torx-driver bit for T-15 size screw heads

Kit Parts List

Circuit/figure number	Quantity	Part number	Description
MTX10UP01 (for Option 01)			
---	1 ea	671-6118-00	CKT BD ASSY: A100
---	1 ea	335-1365-00	MARKER, IDENT: MKD CONNECTORS FOR A100
---	1 ea	174-B924-00	CA, ASSY, SP; 80, 30AWG, 5cm L, FLAT, W/CONN
---	1 ea	075-0884-00	MANUAL,TECH:INSTRUCTIONS, MTX100A INTERFACE MODULE INSTALLATION
MTX10UP02 (for Option 02)			
---	1 ea	671-6119-00	CKT BD ASSY: A110
---	1 ea	335-1366-00	MARKER, IDENT: MKD CONNECTORS FOR A110
---	1 ea	174-B924-00	CA, ASSY, SP; 80, 30AWG, 5cm L, FLAT, W/CONN
---	1 ea	075-0884-00	MANUAL,TECH:INSTRUCTIONS, MTX100A INTERFACE MODULE INSTALLATION
MTX10UP05 (for Option 05)			
---	1 ea	671-6120-00	CKT BD ASSY: A140
---	1 ea	335-1367-00	MARKER, IDENT: MKD CONNECTORS FOR A140
---	1 ea	174-B924-00	CA, ASSY, SP; 80, 30AWG, 5cm L, FLAT, W/CONN
---	1 ea	075-0884-00	MANUAL,TECH:INSTRUCTIONS, MTX100A INTERFACE MODULE INSTALLATION
MTX10UP07 (for Option 07)			
---	1 ea	671-6141-00	CKT BD ASSY: A170
---	1 ea	335-1368-00	MARKER, IDENT: MKD CONNECTORS FOR A170
---	1 ea	174-B924-00	CA, ASSY, SP; 80, 30AWG, 5cm L, FLAT, W/CONN
---	1 ea	075-0884-00	MANUAL,TECH:INSTRUCTIONS, MTX100A INTERFACE MODULE INSTALLATION

Installation Instructions

These instructions are for personnel who are familiar with servicing the product. If you need further details for disassembling or reassembling the product, refer to the *MTX100A MPEG Recorder & Player Service Manual* (Tektronix part number 071-1754-XX).



CAUTION. *To prevent static discharge damage, service the product only in a static-free environment. Observe standard handling precautions for static-sensitive devices while installing this kit. Always wear a grounded wrist strap, grounded foot strap, and static resistant apparel while installing this kit.*

Installing the Interface Module

Perform the following procedure to install the interface module into the MTX100A:

Removing the Cabinet

1. Disconnect all external cables and the power cord from the MTX100A rear panel.
2. Use a screwdriver with a T-15 Torx tip to remove the two screws securing the cabinet to the instrument. See Figure 1 on page 4.
3. Slide the instrument forward to remove the instrument from the cabinet. See Figure 1 on page 4.

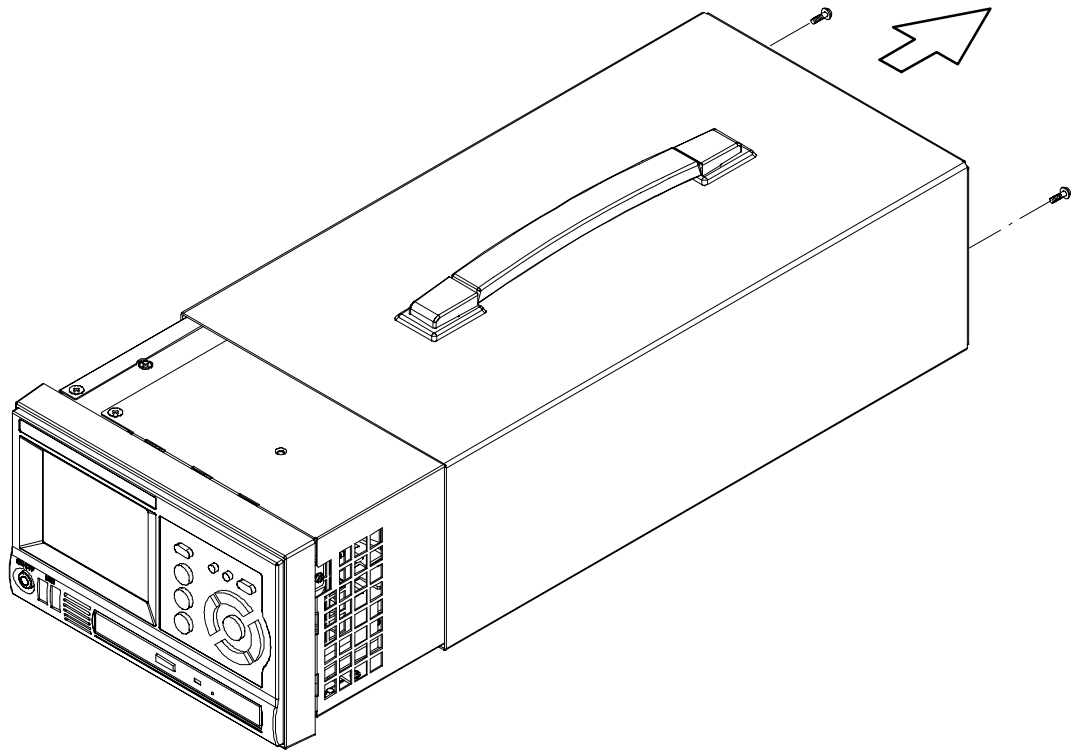


Figure 1: Removing the instrument cabinet

Removing the Right-side and Left-side Covers

1. Set the instrument so its left side is down on the work surface and its front is facing you.
2. Use a screwdriver with a T-10 Torx tip to remove the seven screws securing the right-side cover to the top and bottom of the chassis. See Figure 2.
3. Remove the right-side cover from the chassis.
4. Set the instrument so its right side is down on the work surface and its front is facing you.
5. Use a screwdriver with a T-10 Torx tip to remove the six screws securing the left-side cover to the top and bottom of the chassis. See Figure 2.
6. Remove the left-side cover from the chassis.

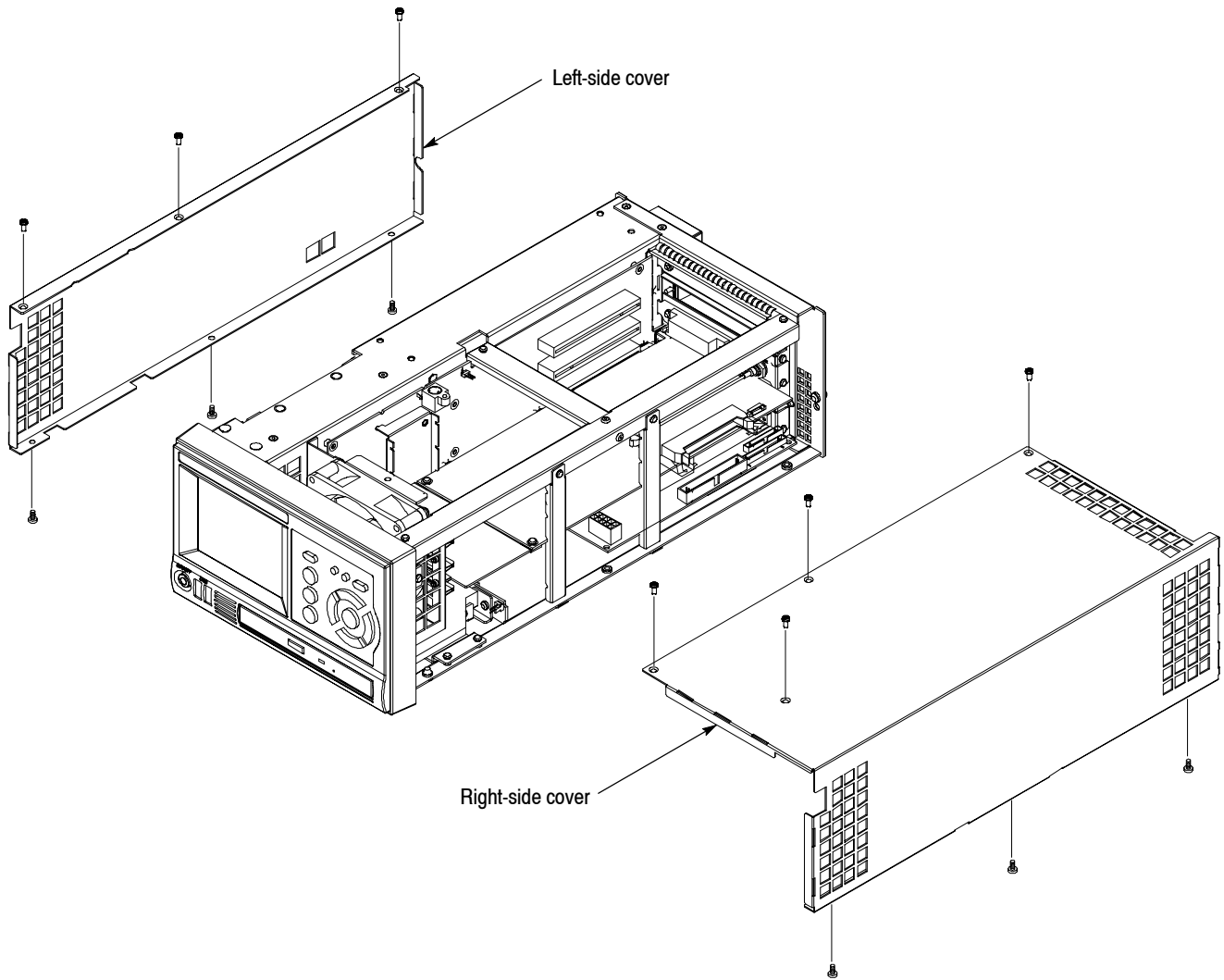


Figure 2: Removing the right-side and left-side covers

Removing the Board Retainers

1. Set the instrument so its bottom is down on the work surface and its right side is facing you.
2. Use a screwdriver with a T-10 Torx tip to remove the two screws securing the board retainers to the chassis. See Figure 3.
3. Lift the retainers away from the chassis. See Figure 3.

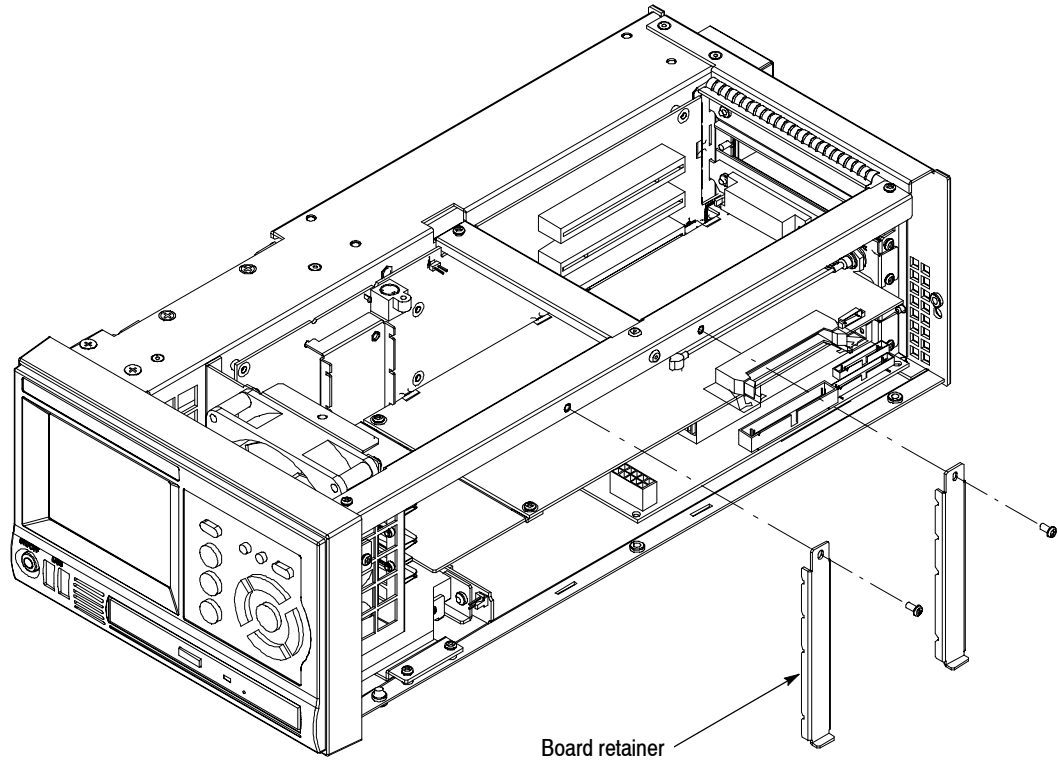
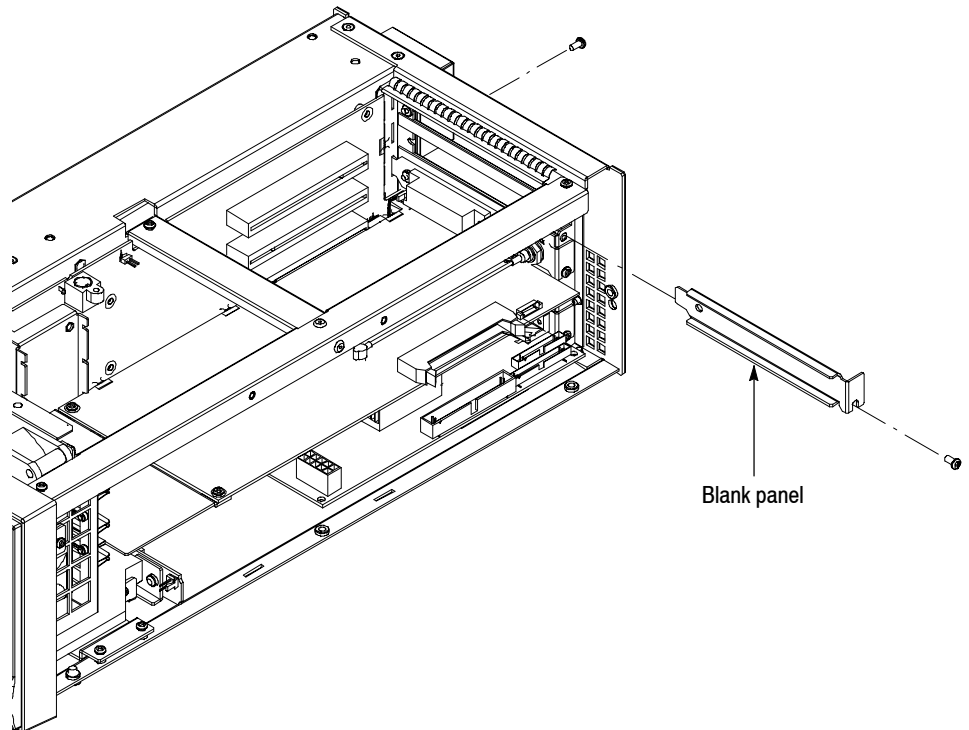


Figure 3: Removing the board retainers

Removing the Blank Panel

1. Use a screwdriver with a T-10 Torx tip to remove the two screws securing the blank panel to the side and rear of the chassis. See Figure 4.
2. Lift the blank panel away to remove it. See Figure 4. Save the screws.

**Figure 4: Removing the blank panel**



CAUTION. Be careful not to damage the parts and cables of the interface module when you insert the module into the instrument.

Installing the Interface Module

1. Insert the interface module into the card slot, paying attention to the module orientation. See Figure 5.
2. Push the interface module in until the connector of the module is firmly engaged with the A20 PCI Backplane board.
3. Use a screwdriver with a T-10 Torx tip to secure the interface module to the side and rear of the chassis, using the two screws that were removed from the blank panel. See Figure 5.

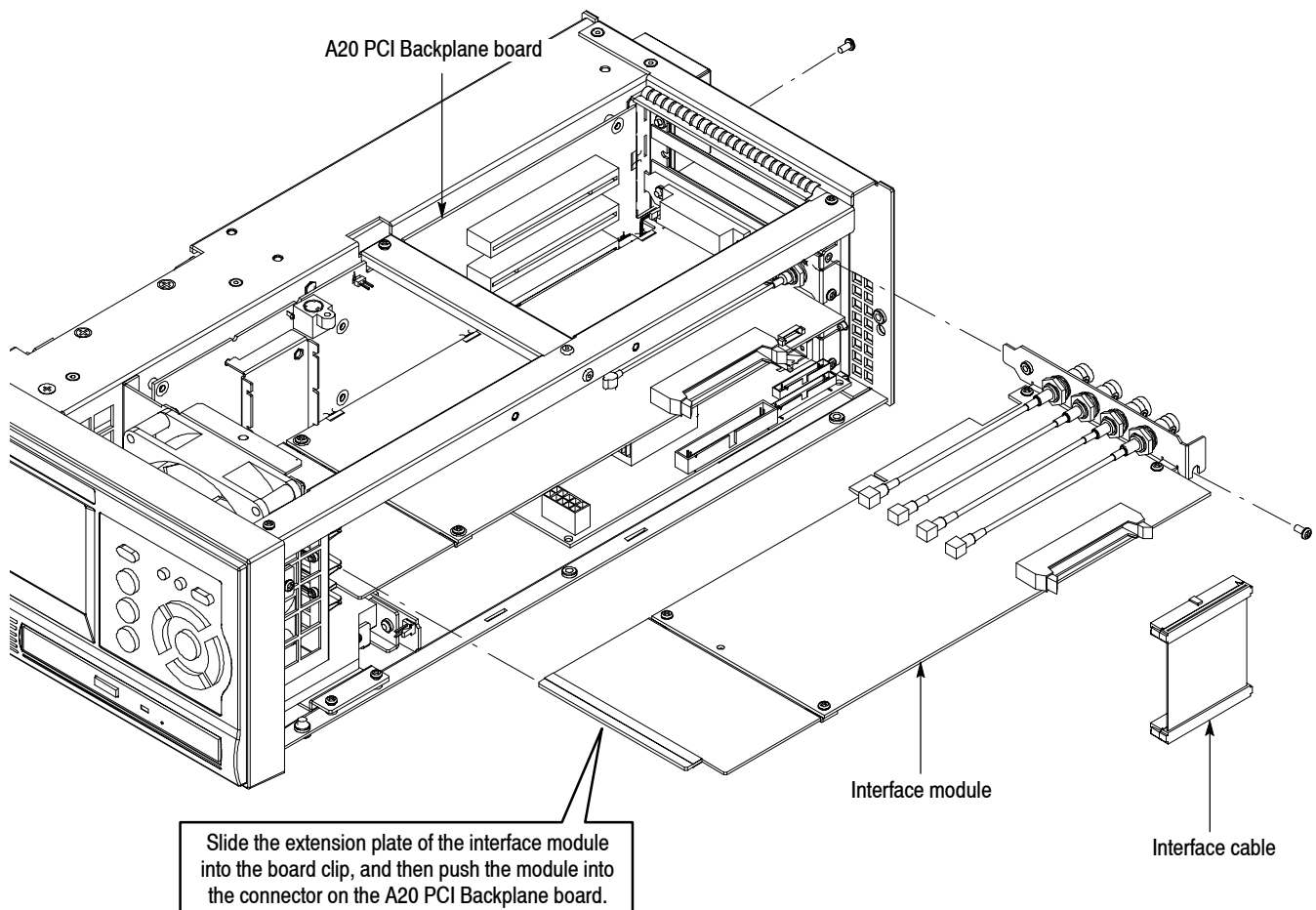


Figure 5: Installing the interface module

4. Use the interface cable that is provided in the kit to connect the A10 Main board and the interface module. See Figure 5.

Installing the Board Retainers

Use a screwdriver with a T-10 Torx tip to install each screw securing the board retainers to the chassis.

Installing the Right-side and Left-side Covers

1. Use a screwdriver with a T-10 Torx tip to install the seven screws securing the right-side cover to the top and bottom of the chassis.
2. Use a screwdriver with a T-10 Torx tip to install the six screws securing the left-side cover to the top and bottom of the chassis.

Installing the Cabinet

1. Slide the instrument into the cabinet.
2. Use a screwdriver with a T-15 Torx tip to install the two screws securing the cabinet to the instrument.

Applying the Connector Label

Remove the protective backing from the connector label that is provided in the kit, and then apply it to the rear-panel frame, just above the installed module. See Figure 6.

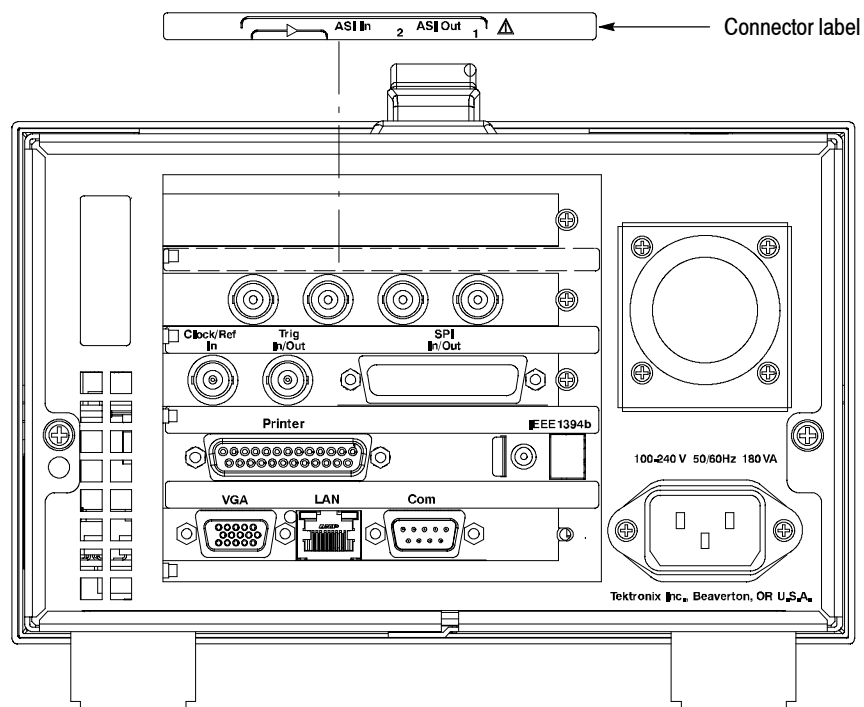


Figure 6: Applying the connector label

Checking Instrument Function

After you have installed the interface module in this kit, perform the functional check for the MTX100A as described in the *MTX100A MPEG Recorder & Player Service Manual* (Tektronix part number 071-1754-XX).

■ End of document ■