

**AWG70BUP Option D01 & D02
AWG70CUP Option D01 & D02
AWG50BUP Option D01 & D02
AWG50CUP Option D01 & D02
Hard Disk Drive Upgrade Kit
Instructions**

www.tektronix.com



075-1044-00

Tektronix

Copyright © Tektronix. All rights reserved. Licensed software products are owned by Tektronix or its subsidiaries or suppliers, and are protected by national copyright laws and international treaty provisions.

Tektronix products are covered by U.S. and foreign patents, issued and pending. Information in this publication supersedes that in all previously published material. Specifications and price change privileges reserved.

TEKTRONIX and TEK are registered trademarks of Tektronix, Inc.

Contacting Tektronix

Tektronix, Inc.
14150 SW Karl Braun Drive
P.O. Box 500
Beaverton, OR 97077
USA

For product information, sales, service, and technical support:

- In North America, call 1-800-833-9200.
- Worldwide, visit www.tektronix.com to find contacts in your area.

Service Safety Summary

Only qualified personnel should perform service procedures. Read this *Service Safety Summary* before performing any service procedures.

Do Not Service Alone. Do not perform internal service or adjustments of this product unless another person capable of rendering first aid and resuscitation is present.

Disconnect Power. To avoid electric shock, switch off the instrument power, then disconnect the power cord from the mains power.

Use Care When Servicing With Power On. Dangerous voltages or currents may exist in this product. Disconnect power, remove battery (if applicable), and disconnect test leads before removing protective panels, soldering, or replacing components.

To avoid electric shock, do not touch exposed connections.

Upgrade Kit Overview

This kit provides parts and instructions for upgrading your AWG5000 and AWG7000 series instrument with either a new solid state hard disk drive or with a new mechanical hard disk drive. The instrument features are the same with the solid state disk drive as it is with the mechanical hard disk drive.

Option D01 upgrades your Arbitrary Waveform Generator with a new solid state hard disk drive.

Option D02 upgrades your Arbitrary Waveform Generator with a new mechanical hard disk drive.

The hard disk drives come preprogrammed with the instrument operating system and application software.

For a list of available options, see the Tektronix Web site (www.tektronix.com) or your Tektronix representative.

Instruments

These instructions support the following products:

AWG5000C Series Arbitrary Waveform Generator	All models supported
AWG7000C Series Arbitrary Waveform Generator	All models supported
AWG5000B Series Arbitrary Waveform Generator	All models supported
AWG7000B Series Arbitrary Waveform Generator	All models supported

NOTE. *Verify that you have received the correct version of the hard disk drive for your instrument. The AWG5000B and AWG7000B Series instruments have different operating systems than the AWG5000C and AWG7000C Series instruments.*

Minimum Tool and Equipment List

No special tools are required to install the upgrades.

Kit Contents

The upgrade kit contains the following items.

- A solid state hard disk drive (Option D01) or a mechanical hard disk drive (Option D02)
- These instructions

Replace the Old Hard Disk Drive with a New Hard Disk Drive

These instructions are for qualified service personnel who are familiar with servicing the product. If you need further details for disassembling or reassembling the product, refer to the appropriate service manual. Contact your nearest Tektronix, Inc., Service Center or Tektronix Factory Service for installation assistance.

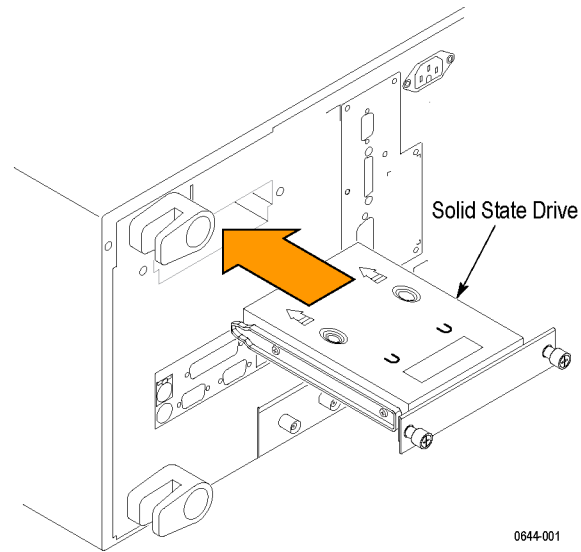
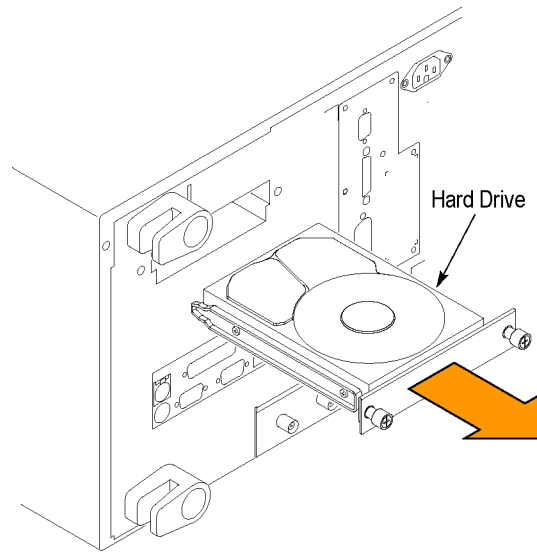
NOTE. *Before replacing the hard disk drive, use an external back-up device to back up any files on your instrument for use on the new hard disk drive.*

The upgrade instructions are identical for both types of hard disk drives.

Install the hard disk drive using the following procedure:

1. Power off the instrument.
2. Loosen the thumb screws and remove the old hard disk drive as shown.
3. Install the new hard drive as shown, and then tighten the thumb screws to secure the drive in the instrument.

The following illustration shows the procedure for removing the old mechanical hard disk drive and replacing it with a new solid state hard disk drive. The process is similar for replacing an old mechanical hard disk drive with a new mechanical hard disk drive.



0644-001