

# Instructions



## **050-A025-52 and Above TG700 TV Signal Generator Platform RFI Filter Replacement**

**075-A014-51**

### **Warning**

The servicing instructions are for use by qualified personnel only. To avoid personal injury, do not perform any servicing unless you are qualified to do so. Refer to all safety summaries prior to performing service.

**[www.tektronix.com](http://www.tektronix.com)**



075A01451

Copyright © Tektronix. All rights reserved. Licensed software products are owned by Tektronix or its subsidiaries or suppliers, and are protected by national copyright laws and international treaty provisions.

Tektronix products are covered by U.S. and foreign patents, issued and pending. Information in this publication supercedes that in all previously published material. Specifications and price change privileges reserved.

TEKTRONIX and TEK are registered trademarks of Tektronix, Inc.

## **Contacting Tektronix**

Tektronix, Inc.  
14200 SW Karl Braun Drive  
P.O. Box 500  
Beaverton, OR 97077  
USA

For product information, sales, service, and technical support:

- In North America, call 1-800-833-9200.
- Worldwide, visit [www.tektronix.com](http://www.tektronix.com) to find contacts in your area.

# Kit Description

This kit provides parts and instructions to replace the RFI filter of your TG700 TV Signal Generator Platform.

This document supports Tektronix modifications: BV4401, 443, 1666, and ECR30604.

## Products

**TG700** J310xxx and below

## Minimum Tool and Equipment List

Required tools and equipment	Description
Screwdriver handle (magnetic)	Accepts Phillips-driver bits
#1 Phillips tip	Phillips-driver tip for #1 size screw heads
#2 Phillips tip	Phillips-driver tip for #2 size screw heads
Nut driver 7 mm	Standard tool

## Kit Parts List

Circuit/figure number	Quantity	Part number	Description
---	1 ea	119-7255-xx	FILTER,EMI; AC LINE FILTER
---	1 ea	174-C019-xx	CA ASSY,SP,ELEC
---	1 ea	195-3990-xx	LEAD,ELECTRICAL
---	1 ea	075-A014-51	TECHNICAL MANUAL: INSTRUCTIONS,TG700 RFI FILTER REPLACEMENT KIT



# Installation Instructions

These instructions are for personnel who are familiar with servicing the product. If you need further details for disassembling or reassembling the product, refer to the *TG700 TV Signal Generator Platform Service Manual* (Tektronix part number 070-A800-XX).



---

**CAUTION.** To prevent static discharge damage, service the product only in a static-free environment. Observe standard handling precautions for static-sensitive devices while installing this kit. Always wear a grounded wrist strap, grounded foot strap, and static resistant apparel while installing this kit.

---

## Replacing the RFI Filter

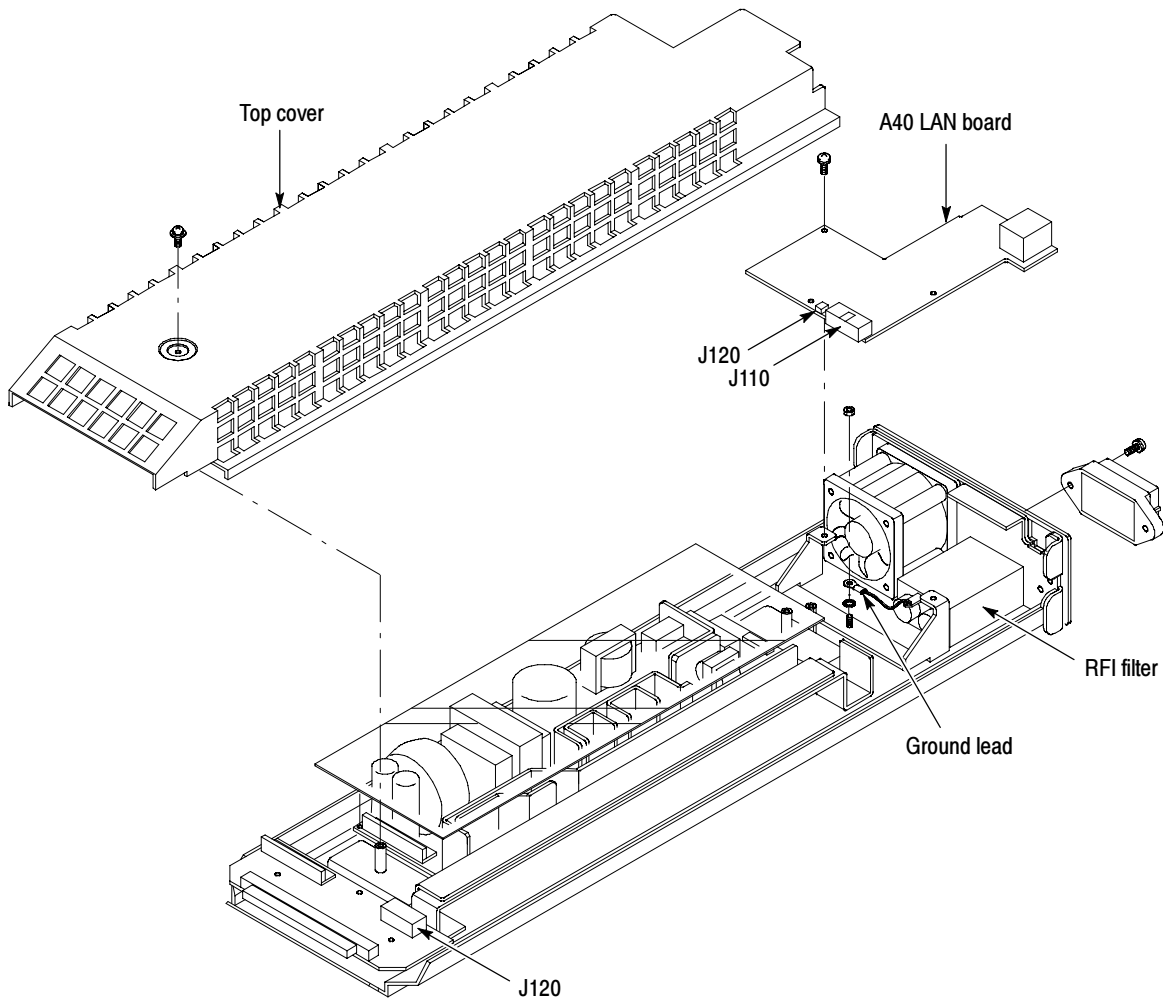
Perform the following procedure to replace the RFI filter:

### Removing the Power Supply Module

1. Set the TG700 so its bottom is down on the work surface and its rear is facing you.
2. Use a screwdriver with a #1 Phillips tip to loosen the two screws securing the power supply module to the mainframe.
3. Pull the module slowly in a horizontal direction back from the mainframe.

### Removing the A40 LAN Board

4. Use a screwdriver with a #2 Phillips tip to remove the screw securing the top cover to the chassis. See Figure 1.
5. Lift the cover up and away from the chassis to complete the removal.
6. Unplug the cable from the fan at J120 on the A40 LAN board.
7. Unplug the cable from the A30 POWER CONNECT board at J110 on the A40 LAN board.
8. Use a screwdriver with a #2 Phillips tip to remove the three screws securing the A40 LAN board to the chassis. See Figure 1.
9. Lift the board up and away from the chassis to completely the removal.



**Figure 1: Top cover, A40 LAN board, and RFI filter removal**

**Removing the RFI Filter**

10. Unplug the cable from CN1 on the power supply.
11. Use a 7 mm nut driver to remove the nut securing the ground lead to the chassis. See Figure 1.
12. Use a screwdriver with a #2 Phillips tip to remove the two screws securing the RFI filter to the chassis. See Figure 1.
13. Pull the RFI filter away.

**Installing the Replacement  
RFI Filter**

14. Use a screwdriver with a #2 Phillips tip to install the two screws securing the RFI filter to the chassis.
15. Use a 7 mm nut driver to install the nut securing the ground lead to the chassis.
16. Connect the cable to CN1 on the power supply.

**Installing the A40 LAN  
Board**

17. Reconnect the cable from the A30 POWER CONNECT board to J110 on the A40 LAN board. When reconnecting this cable, make sure that it is completely within the cable guide.
18. Reconnect the cable from the fan to J120 on the A40 LAN board.
19. Use a screwdriver with a #2 Phillips tip to install the three screws securing the A40 LAN board to the chassis.
20. Use a screwdriver with a #2 Phillips tip to install the screw securing the top cover to the chassis.

**Installing the Power  
Supply Module**

21. Insert the power supply module into the slot, paying attention to the module orientation.
22. Push the module in until the connector board of the module is firmly engaged with the main board of the mainframe.
23. Use a screwdriver with a #1 Phillips tip to tighten the two screws securing the power supply module to the mainframe.

■ End of document ■

