

**Keithley Instruments**

28775 Aurora Road  
Cleveland, Ohio 44139  
1-800-833-9200  
[tek.com/keithley](http://tek.com/keithley)

## Introduction

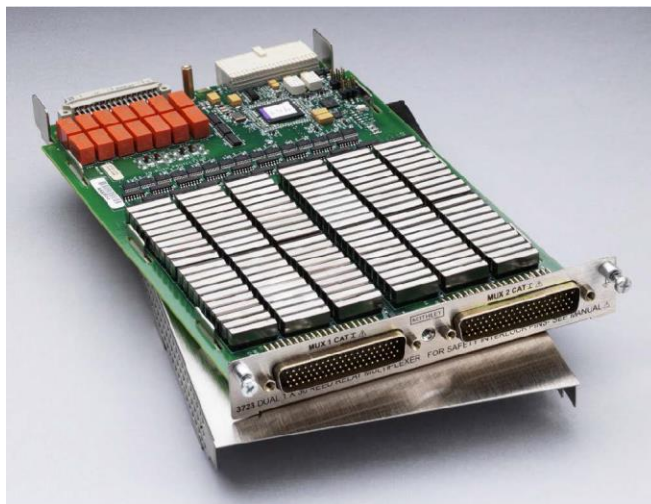
The Model 3723 has two independent banks of high-speed 1×30 two-pole multiplexers that are ideal for high-speed scanning applications. The two banks can be automatically connected to the Series 3700A mainframe backplane and an optional digital multimeter (DMM) through the analog backplane connection relays. This connection allows the mainframe to reconfigure the Model 3723 as a single 1×30 four-pole multiplexer or as a single 1×120 single-pole multiplexer. It also enables card-to-card expansion for even larger configurations.

By using high-speed reed relays with actuation times of less than 0.5 ms, this card can meet demanding throughput applications. Another feature of the 3723 is its single-ended, one-pole mode, which supports up to 120 channels of single-wire measurements.

The 3723 uses two 78-pin D-sub connectors for signal connections. For screw-terminal connections, use the Model 3723-ST for two and four-pole configurations. For more information regarding available cards and accessories, refer to the *Series 3700A System Switch/Multimeter and Plug-in Cards* datasheet, available at [tek.com/keithley](http://tek.com/keithley).

The 3723 card is shown in the following figure.

**Figure 1: Model 3723 High-Speed 1 x 30 Card**



*Item shipped may vary from model pictured here.*

This document describes how to install the plug-in card and make connections to it. For information on scanning, and on reading, writing, and controlling channels, refer to the *Series 3700A System Switch/Multimeter Reference Manual*, available at [tek.com/keithley](http://tek.com/keithley).



## Safety precautions for connections

---

### **WARNING**

Shock hazard. To prevent electric shock that could result in serious injury or death, comply with these safety precautions.

Connection information for plug-in cards is intended for qualified service personnel. Do not attempt to connect devices under test (DUTs) or external circuitry to a plug-in card unless you are qualified.

As described in the International Electrotechnical Commission (IEC) Standard IEC 60664, the Series 3700A is Installation Category O and signal lines must not be directly connected to AC mains.

Before making or breaking any connections to the plug-in card, make sure the Series 3700A instrument power is turned off and power is removed from all external circuitry.

Do not connect signals that will exceed the maximum specifications of any installed plug-in card. If the rear analog backplane connector of the instrument and the plug-in card terminals are connected at the same time, the test lead insulation must be rated to the highest voltage that is connected. For example, if 300 V is connected to the analog backplane connector, the test lead insulation for the plug-in card must also be rated for 300 V.

Dangerous arcs of an explosive nature in a high-energy circuit can cause severe personal injury or death if contacted. If the multimeter is connected to a high-energy circuit when set to a current range, low-resistance range, or any other low-impedance range, the circuit is virtually shorted. Dangerous arcing can result, even when the multimeter is set to a voltage range, if the minimum voltage spacing is reduced in the external connections.

Use test leads that are fully insulated. Use only test leads that can be connected to the circuit (for example, alligator clips and spade lugs) for hands-off measurements. Do not use test leads that decrease voltage spacing. These diminish arc protection and create a hazardous condition.

---

## Card installation

---

### **WARNING**

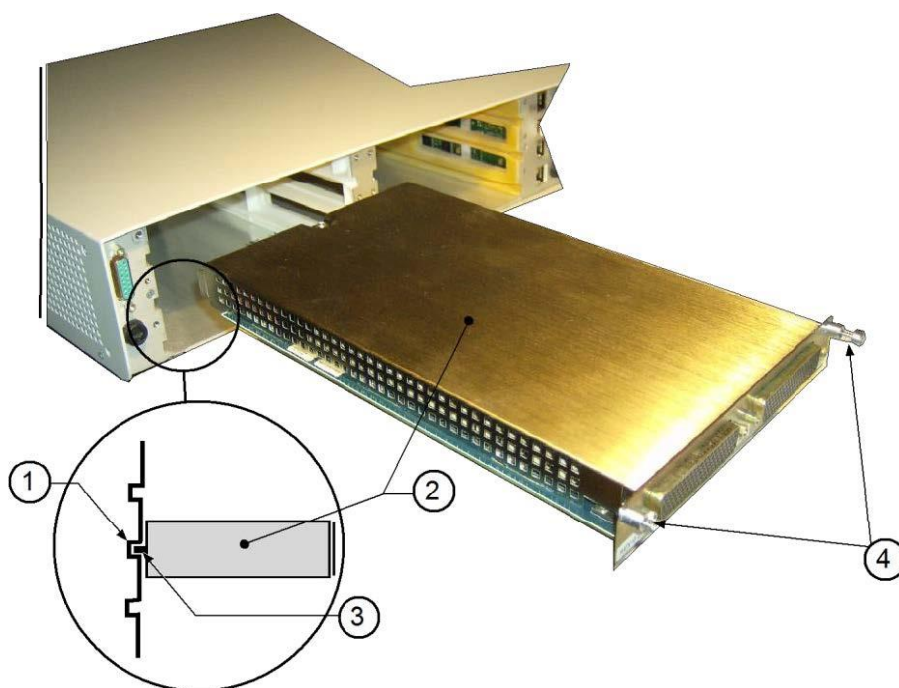
Slot covers must be installed on unused slots to prevent personal contact with high-voltage circuits. Failure to recognize and observe standard safety precautions could result in personal injury or death due to electric shock.

---

**To install a switching card into the instrument mainframe:**

1. Turn the instrument off.
2. Position the instrument so that you are facing the rear panel.
3. Disconnect the power line cord and any other cables connected to the rear panel.
4. Remove the slot cover plate from the mainframe slot. Retain the plate and screws for future use.
5. With the top cover of the switching card facing up, align the card edge into the card guide of the slot, as shown in the following figure.
6. Slide in the card. For approximately the last ¼ inch, press in firmly to seat the card connector to the mainframe connector.
7. On each side of the card, there is a mounting screw. Use a flat-bladed screwdriver to tighten the two mounting screws to secure the card to the mainframe. Do not overtighten.
8. Reconnect the power line cable and any other cables to the rear panel.
9. Turn the instrument on.

**Figure 2: Module installation**



*Item shipped may vary from model pictured here.*

Item	Description
1	Card guide (part of mainframe)
2	Card
3	Card edge (part of card)
4	Mounting screw (part of card)

## Verify card installation

**To verify that the card was properly installed:**

1. If the 3700A is controlled remotely (REM is displayed), press **EXIT** to switch control to local.
2. On the 3700A front panel, press **SLOT**. The name and firmware version of the instrument is displayed.
3. Press **SLOT** again. The name and firmware version of the card in slot 1 is displayed.
4. If you have more than one card installed, continue to press **SLOT** until the slot you installed is displayed.
5. Confirm the name and firmware version.
6. Press **EXIT** to return to the operating display.

## Pseudocards

You can perform open, close, and scan operations and configure your system without having a switch card installed in your instrument. If you are connected to a remote interface, you can assign a pseudocard to an empty switch card slot.

You cannot set up a pseudocard from the front panel. However, once pseudocard configuration is complete, you can take the instrument out of remote mode and use the front panel to control the pseudocard. Press the **EXIT** key to take the instrument out of remote mode. The model number of a pseudocard is the same as the model number of an actual card (except for 3732 cards).

When the instrument is turned off, the pseudocard settings are lost and the pseudocard is no longer assigned to the slot. To preserve the pseudocard setting through a power cycle, use a saved setup or a configuration script. The setup or script retains the model number of the card installed in each slot, including pseudocards.

For additional information on pseudocards, refer to the *Series 3700A System Switch/Multimeter Reference Manual* at [tek.com/keithley](http://tek.com/keithley).

## Set up a 3723 pseudocard

You can install a pseudocard in any empty slot. With the 3723 pseudocard installed, the instrument operates as if a 3723 card is installed in the slot. This allows you to configure a scan and exercise its operation before the plug-in card is installed in the 3700A instrument.

In the following code examples, replace `slot` with the slot number (1 to 6).

**To set a slot to use a 3723 pseudocard, send:**

```
slot[slot].pseudocard = 3723
```

**To query the pseudocard, send:**

```
print(slot[slot].pseudocard)
```

**To set a slot to stop using a pseudocard, send:**

```
slot[slot].pseudocard = slot.PSEUDO_NONE
```

## NOTE

The revision level of a pseudocard is always returned as 00.00 a.

You can query the slot attributes to determine the capabilities of the installed switching modules. For example, send the following query to determine if slot 1 supports 4-wire commonside ohms channels:

```
print(slot[1].commonsideohms)
```

Refer to the *Series 3700A System Switch/Multimeter Reference Manual* for more information about using queries at [tek.com/keithley](http://tek.com/keithley).

## Connection information

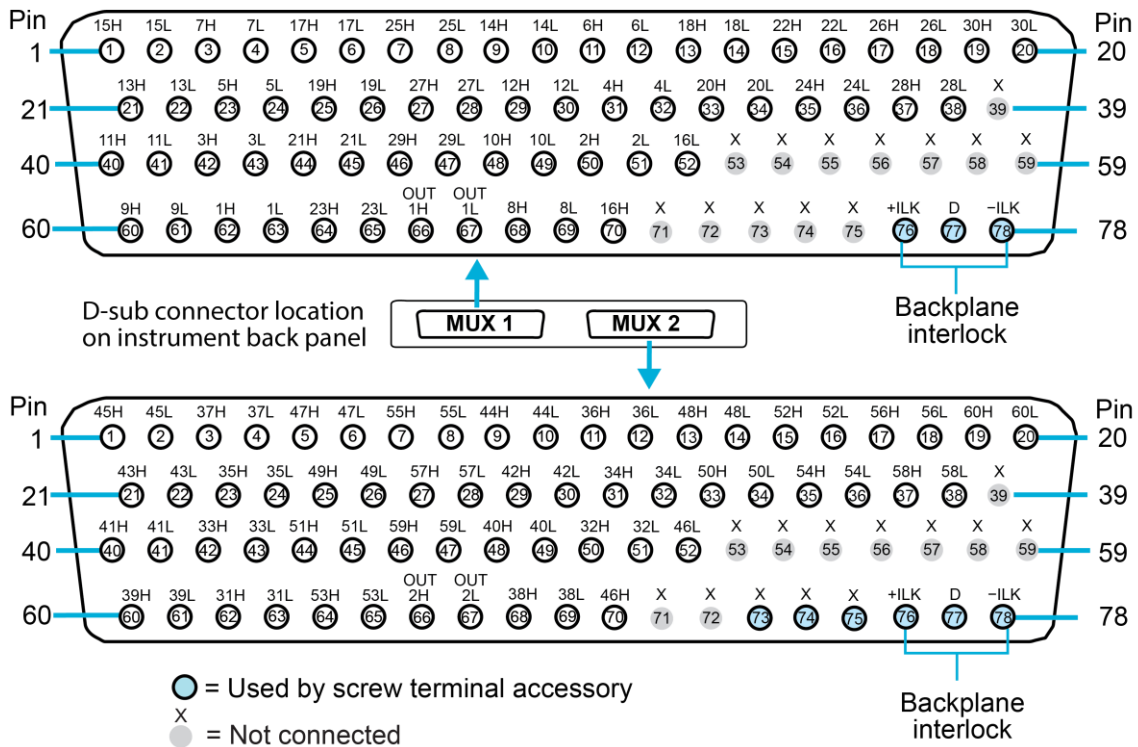
Refer to the following figures for the pin connections.

MUX1H and MUX1L are Output 1H and 1L. MUX2H and MUX2L are Output 2H and 2L.

To actuate the backplane interlock, connect +ILK to -ILK

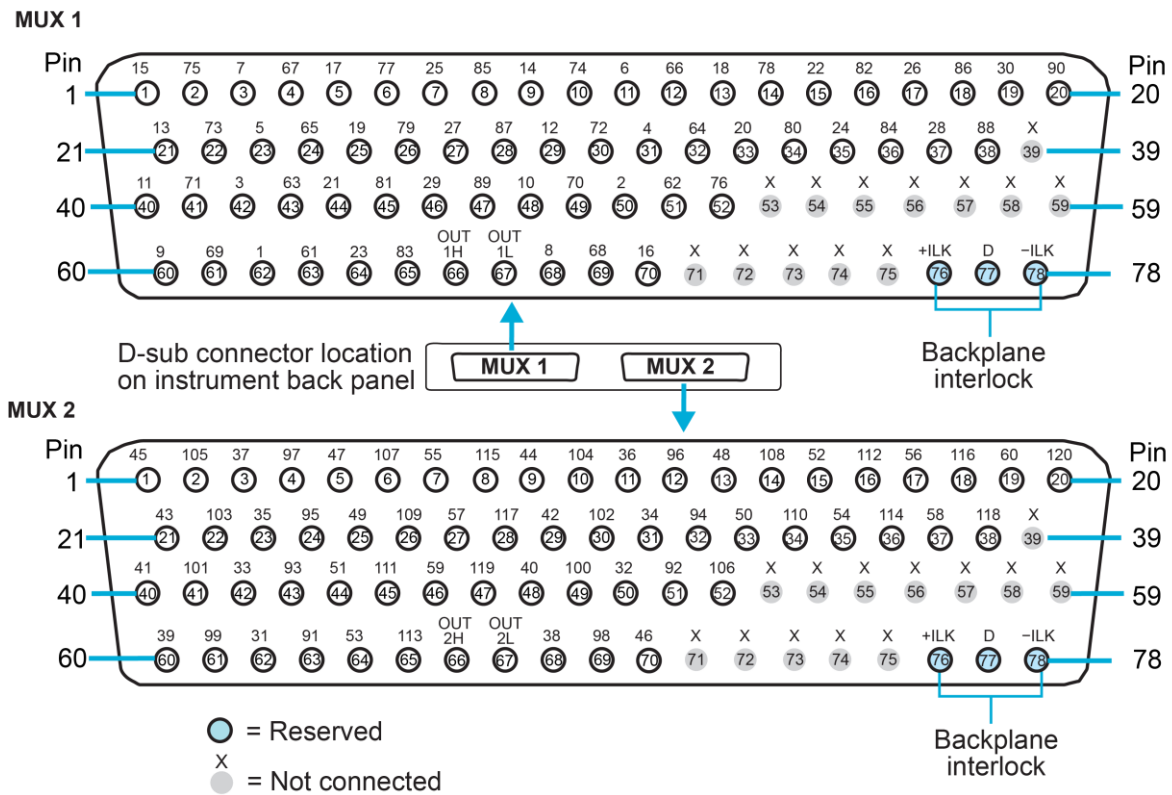
The following figure shows the 3723 D-sub pin connections in two-pole mode.

**Figure 3: Model 3723 D-sub connections in 2-pole mode**



The following figure shows the Model 3723 D-sub connections in one-pole mode.

**Figure 4: Model 3723 D sub-connections 1-pole**

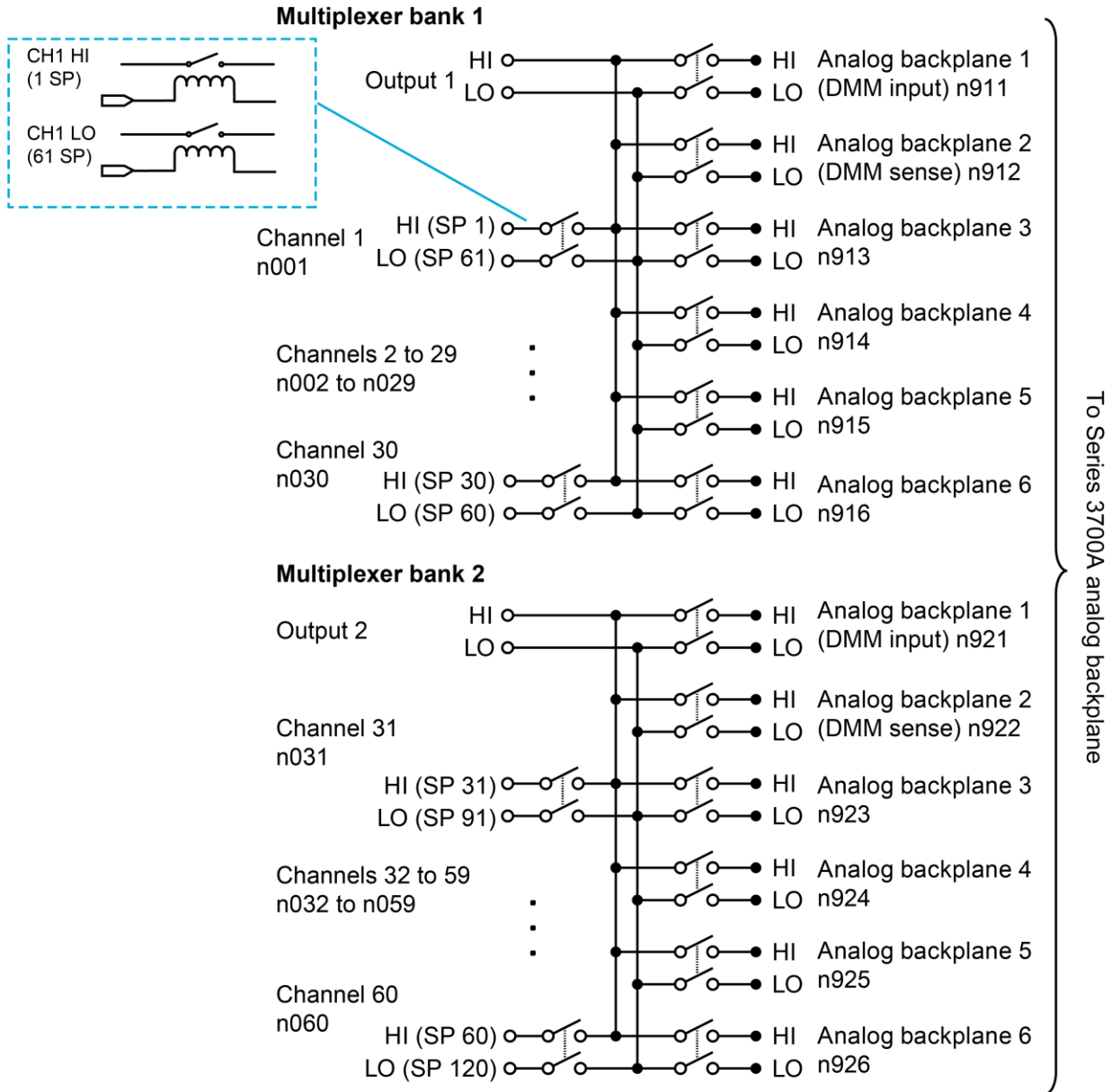


## Schematics

You can operate the 3723 in two-pole or one-pole mode. The mode is set by the `channel.setpole()` command.

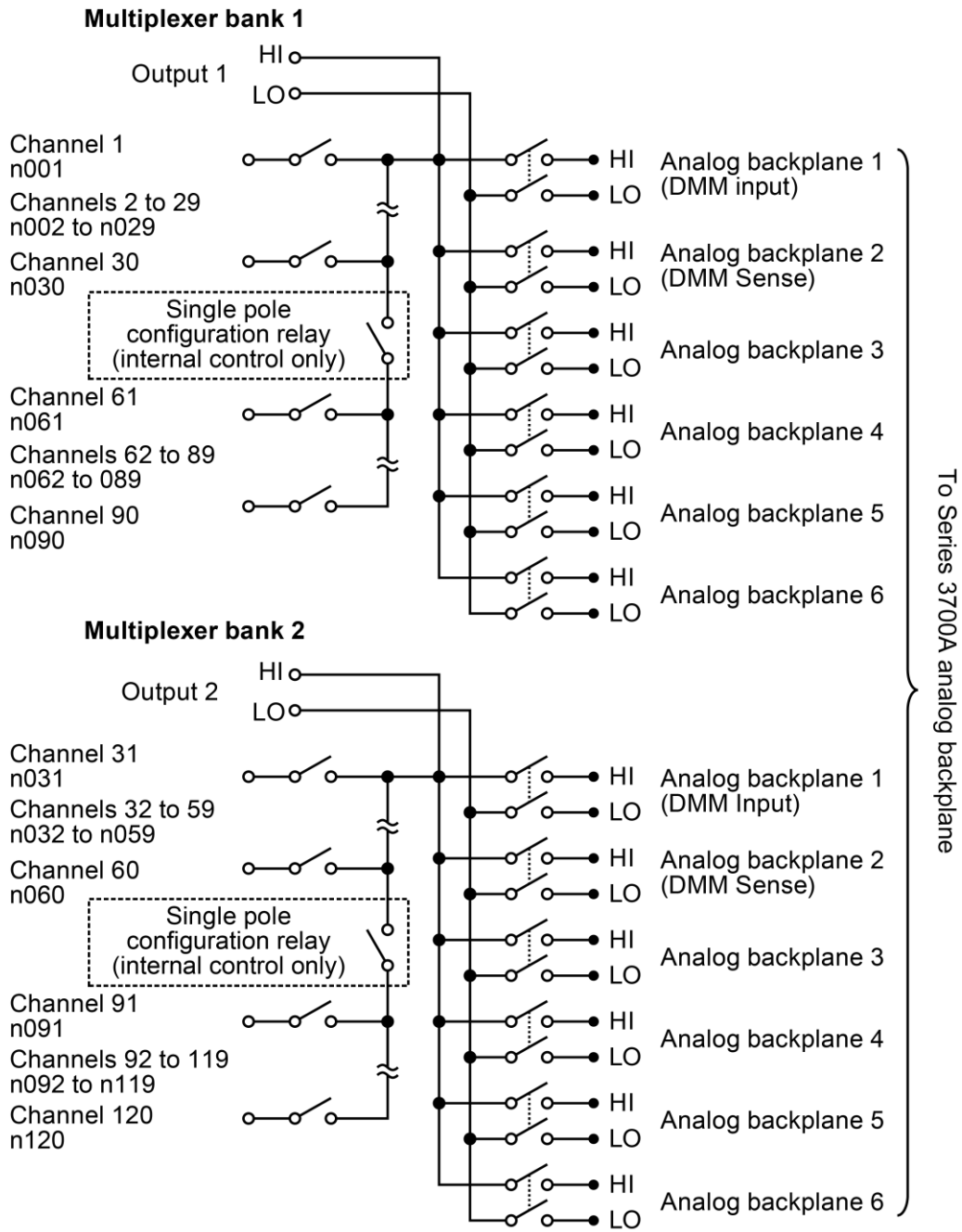
The following figure provides a switching schematic for the Model 3723 in two-pole mode. In this figure, *n* represents the slot number.

**Figure 5: Model 3723 schematic two-pole mode**



The following figure provides a switching schematic for the Model 3723 in single-pole mode.

**Figure 6: Model 3723 schematic single-pole mode**

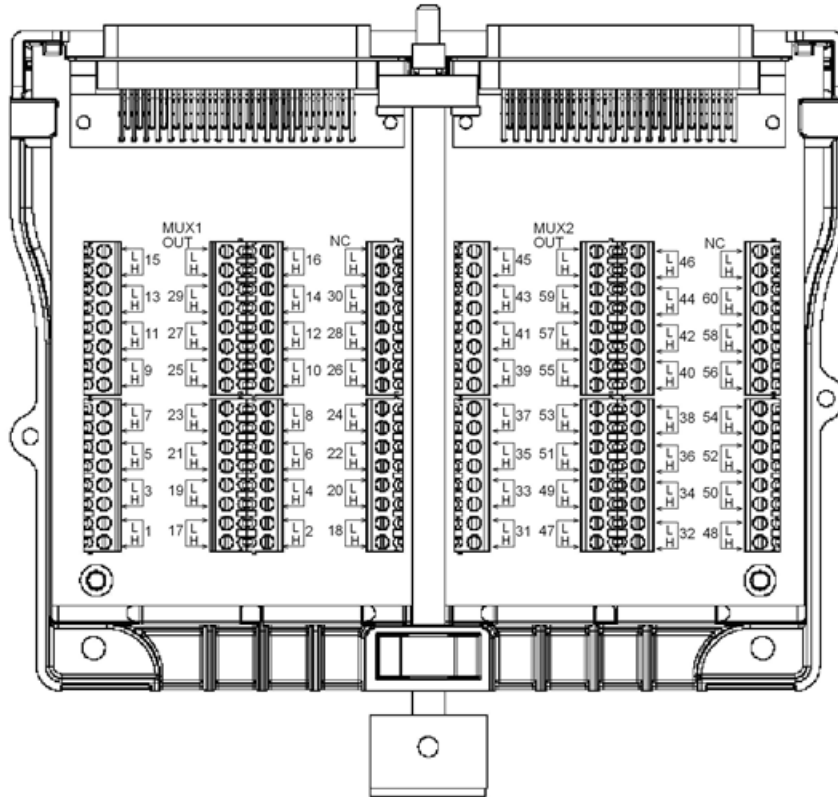




## Screw-terminal accessory

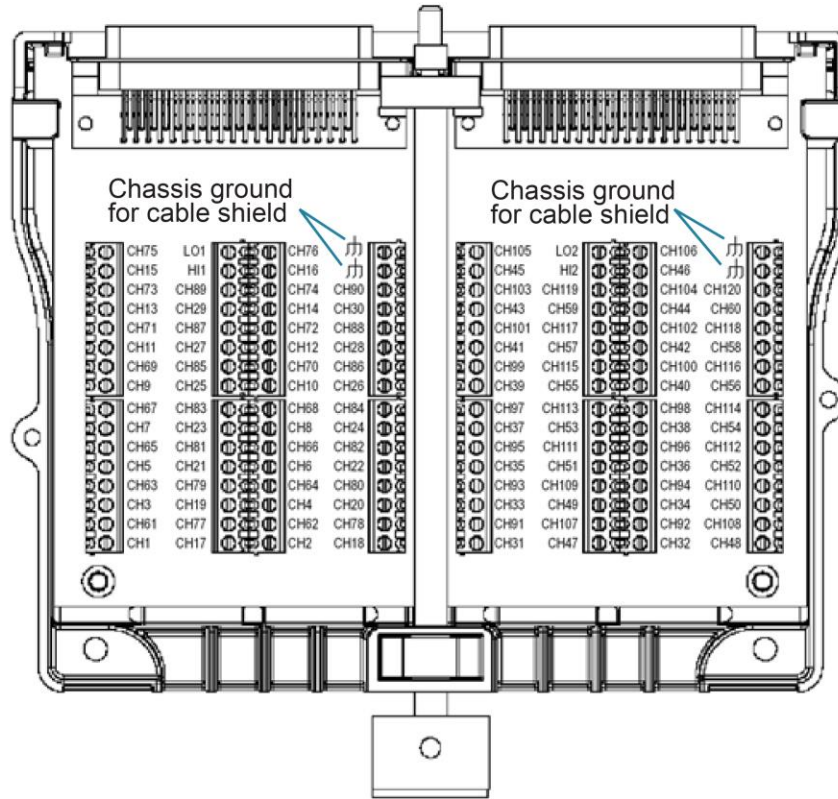
The 3723-ST screw-terminal accessory is shown in the following figure. The figure indicates the terminals as high or low and the location of MUX1 and MUX2.

**Figure 7: Model 3723-ST Screw-Terminal Accessory**



The 3723-ST-1 screw-terminal accessory has a chassis ground connection for connecting a cable shield, as shown in the following figure.

**Figure 8: Model 3723-ST-1 Screw-Terminal Accessory**



## Wire the screw-terminal accessory

These instructions describe how to connect wiring to a Series 3700A screw-terminal accessory.

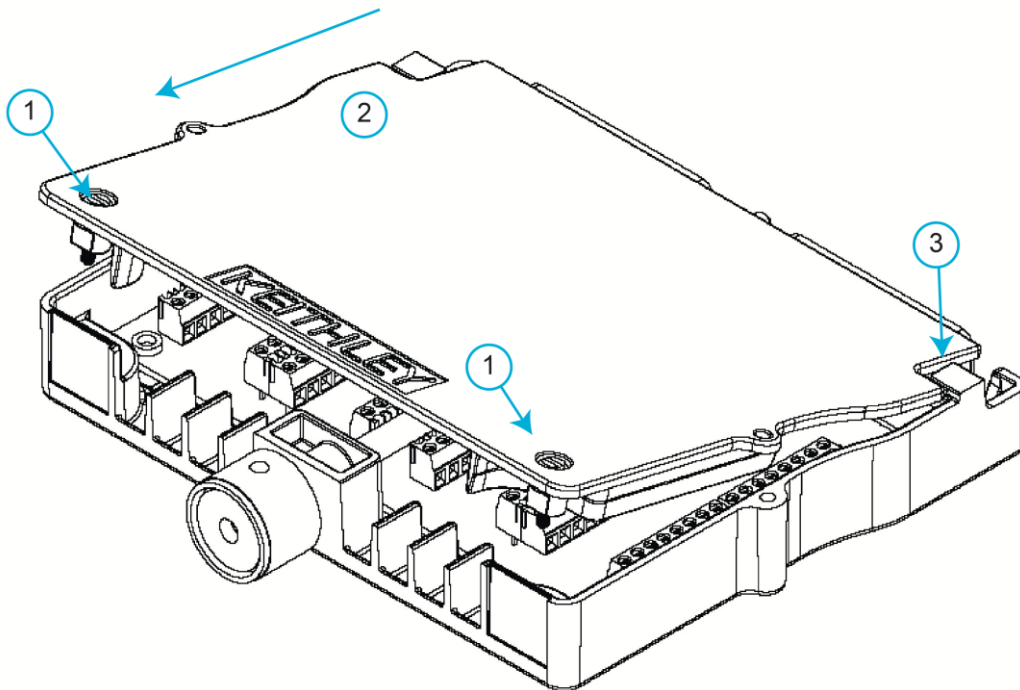
### CAUTION

It is not necessary to remove a circuit board from its enclosure to wire the screw-terminal accessory. Avoid handling circuit board surfaces and terminal blocks. Contaminants from hands may degrade screw-terminal accessory performance.

#### To wire the screw-terminal accessory:

1. Loosen the slotted captive screws (1) on the top cover.
2. Slide the top cover (2) away from the retaining tab (3), as shown in the following figure.

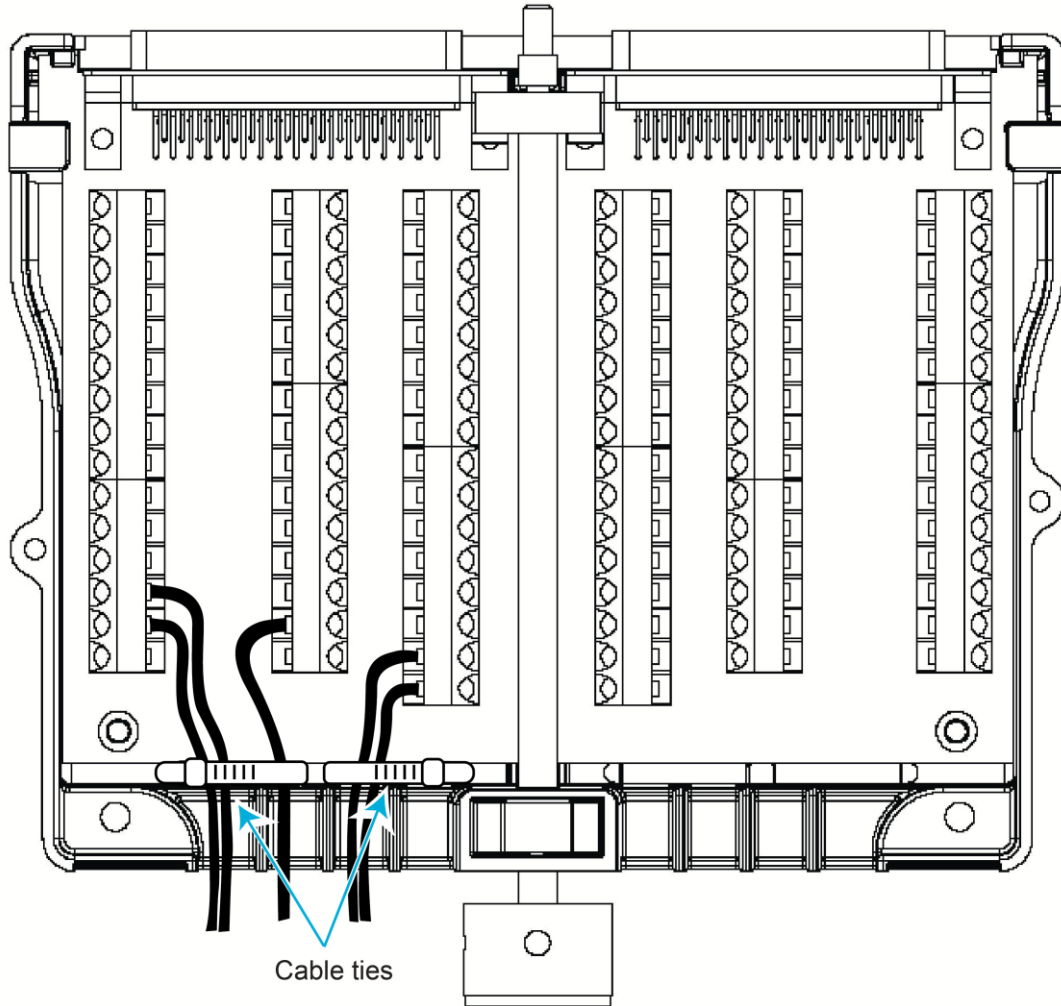
Figure 9: Remove the top cover of the screw-terminal accessory



3. If your accessory includes insertable overlays, select the correct overlay and press it into place inside the screw-terminal accessory.

4. As shown in the following figure, route your wiring through the slots at the rear of the screw-terminal accessory and connect it to the wiring terminals as described in [Connection information](#) (on page 5).

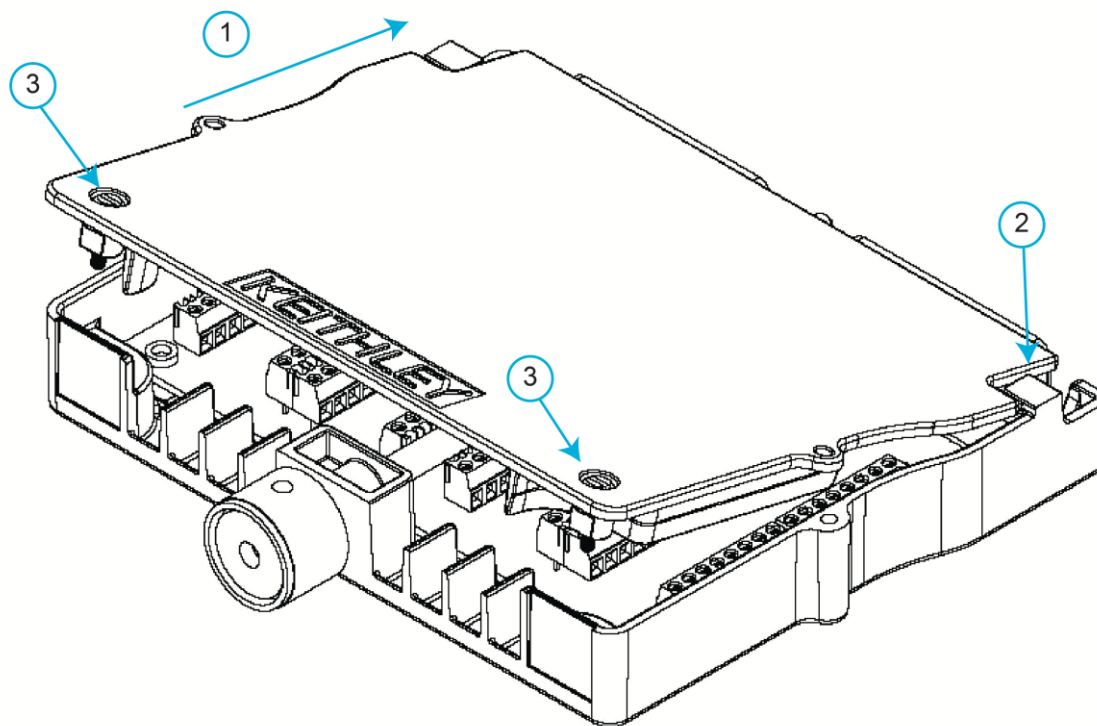
**Figure 10: Routing and securing cables with ties**



5. When all wires have been connected, use small cable ties to secure the wires and provide strain relief, as shown in the previous figure. Pass the cable tie in and out of the small holes in the base of the screw-terminal assembly and around your wiring before pulling the cable tie tight.
6. Align the top cover with the circuit board.
7. Slide the cover forward (1) and beneath the retaining tab (2), as shown in the following figure.

- Fasten the two slotted captive screws (3).

Figure 11: Install the screw-terminal assembly top cover



## Install the screw-terminal accessory

### **⚠ WARNING**

Before using a screw-terminal assembly with an installed plug-in card, verify that the card is properly installed in the 3700A instrument and that the mounting screws are tightly fastened. If the mounting screws are not properly connected, an electrical shock hazard may be present.

### **NOTE**

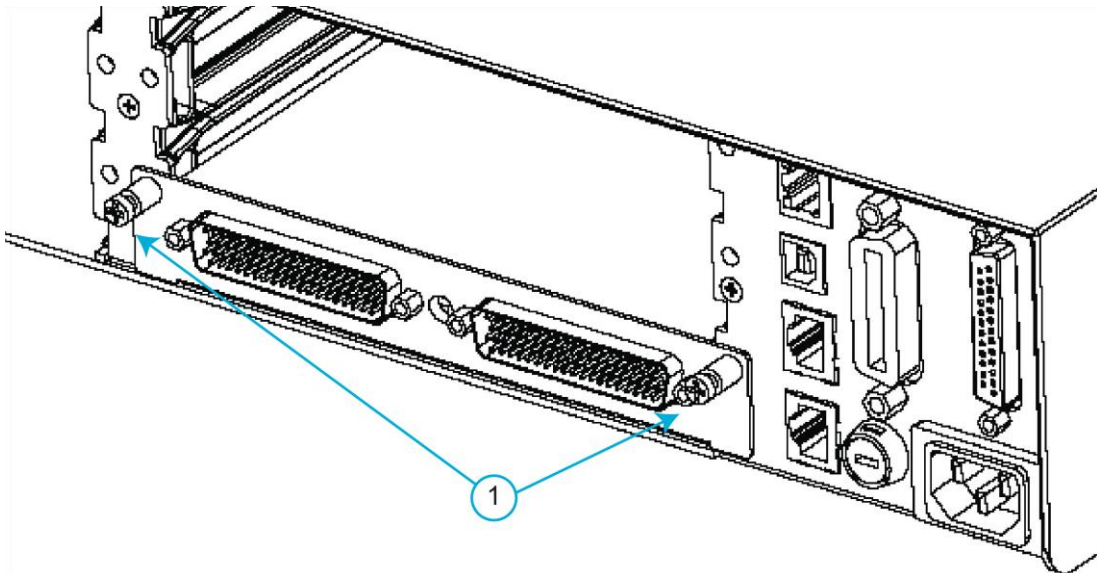
To use more than two 3700A screw-terminal accessories in a rack-mount installation, use the terminal support bracket included in the Model 4288-10 Rear Support Mount Kit. For more information about the rack-mount kit, refer to Keithley document *Model 4288-10 Rear Support Rack-Mount Kit Assembly and Mounting Instructions*, available on [tek.com/keithley](http://tek.com/keithley).

#### **To install the screw-terminal accessory on the 3700A plug-in card:**

- Remove all power from the 3700A instrument.

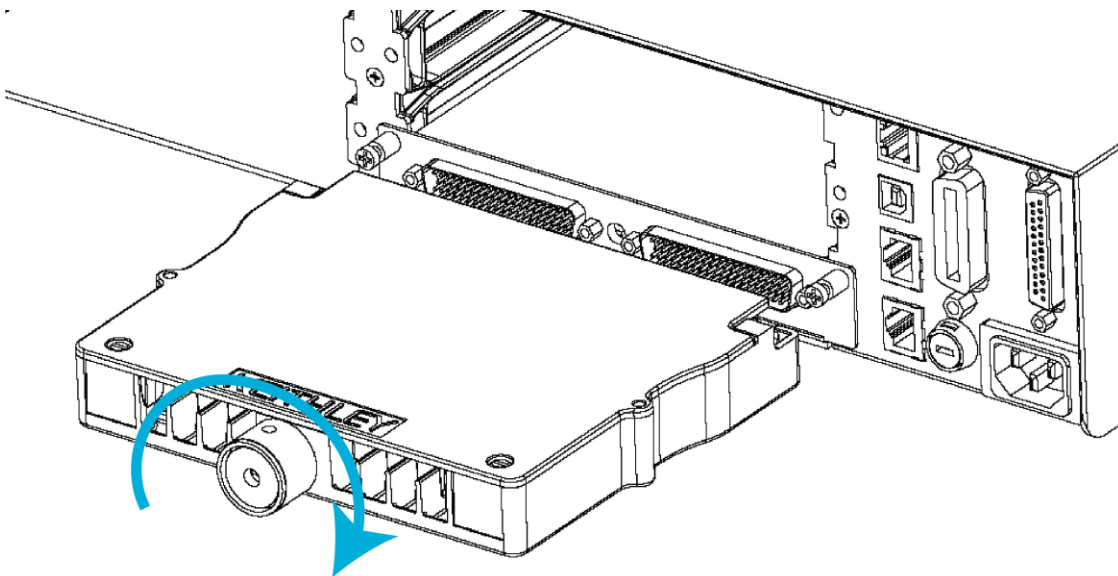
2. Make sure that the mounting screws (1 in the following figure) on the installed plug-in card are secure.

**Figure 12: Check 3700A card mounting screws**



3. Align the screw-terminal assembly D-sub connectors with the connectors on the installed plug-in card, as shown in the following figure.
4. Press to seat the D-sub connectors.

**Figure 13: Connect the screw-terminal accessory**



5. Turn the knob on the screw-terminal assembly clockwise by hand, as shown in the previous figure, until it is firmly engaged. You may need to use a slotted screwdriver to tighten the knob.

---

## CAUTION

To prevent damage to the card, do not overtighten the knob.

---

## Remove the screw-terminal accessory

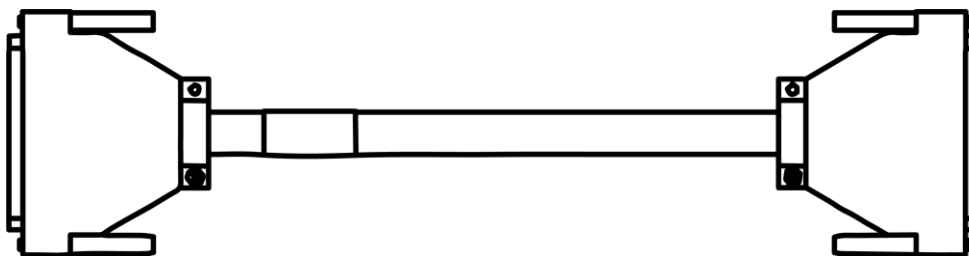
**To remove a screw-terminal accessory from an installed plug-in card:**

1. Remove all power from the 3700A instrument.
2. Turn the knob on the screw-terminal accessory counter-clockwise until it is completely disengaged. You may need to use a slotted screwdriver to loosen the knob.
3. Pull the screw-terminal accessory away from the plug-in card D-sub connectors.

## Model 3720-MTC-3

The 3720-MTC-3 cable is a 78-pin cable assembly that is 3.0 m (10 ft) long and terminated with a D-sub plug on one end and a D-sub jack on the other end.

Figure 14: Model 3720-MTC-3 cable



---

### **⚠ WARNING**

To prevent electrical shock, observe the following safety precautions:

- Connect both ends of the cable before applying any power to the system.
  - Remove all power in the system before connecting the cable to a switching module or external circuitry.
  - Connect both D-sub connector shells of this cable to a safety earth ground. A shock hazard exists when voltage levels greater than 30 V<sub>RMS</sub>, 42.4 V<sub>PEAK</sub>, or 60 V DC are present.
- 

## 3720-MTC-3 characteristics

Cable maximum signal levels: 300 V DC or 300 V<sub>RMS</sub>.

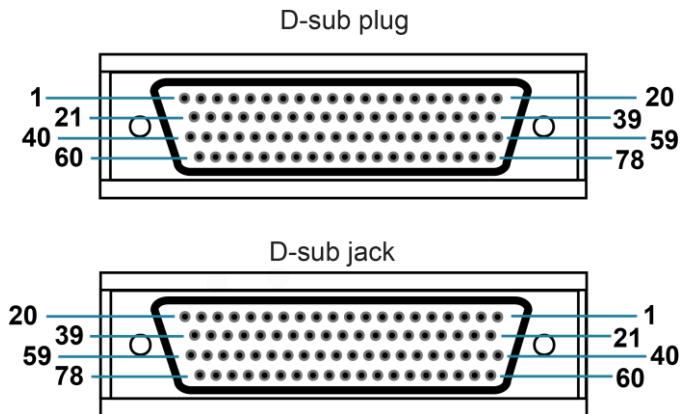
Cable maximum current rating:

- **Single conductor:** 4.4 A
- **Multiple conductors:** 2.2 A per wire
- **Conductor gauge:** 22 AWG

## Pin number identification

Pin number identification for the Model 3720-MTC-3 cables is shown in the following figure and table.

**Figure 15: Model 3720-MTC-3 connectors**



### NOTE

Connect drain wire to shield at both ends.

### Model 3720-MTC-3 pin number identification

CONN 1 Pin	Color	CONN 2 Pin	CONN 1 Pin	Color	CONN 2 Pin
1	Black	1	40	White/red/gray	40
2	Brown	2	41	White/orange/yellow	41
3	Red	3	42	White/orange/green	42
4	Orange	4	43	White/orange/blue	43
5	Yellow	5	44	White/orange/violet	44
6	Green	6	45	White/orange/gray	45
7	Blue	7	46	White/yellow/green	46
8	Violet	8	47	White/yellow/blue	47
9	Gray	9	48	White/yellow/violet	48
10	White	10	49	White/yellow/gray	49
11	White/black	11	50	White/green/blue	50
12	White/brown	12	51	White/green/violet	51
13	White/red	13	52	White/black/orange/yellow	52
14	White/orange	14	53	Not connected	53
15	White/yellow	15	54	Not connected	54
16	White/green	16	55	Not connected	55
17	White/blue	17	56	Not connected	56
18	White/violet	18	57	Not connected	57
19	White/gray	19	58	Not connected	58
20	White/black/brown	20	59	Not connected	59
21	White/black/red	21	60	White/black/orange/green	60
22	White/black/orange	22	61	White/black/orange/blue	61
23	White/black/yellow	23	62	White/green/gray	62



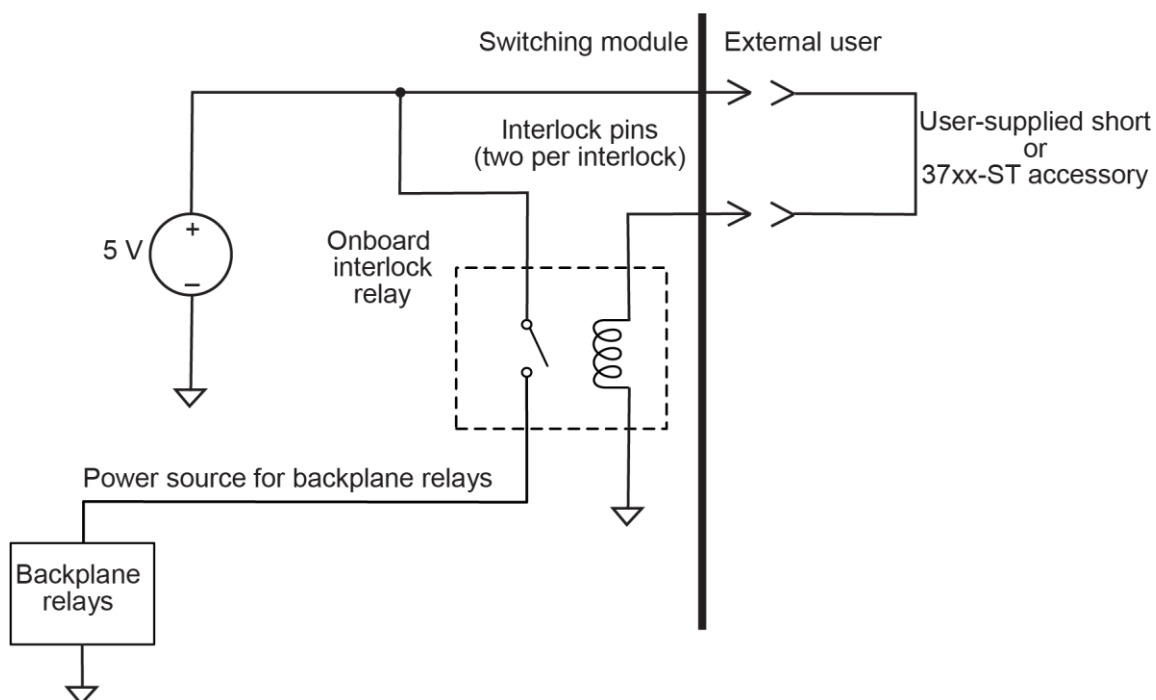
CONN 1 Pin	Color	CONN 2 Pin	CONN 1 Pin	Color	CONN 2 Pin
24	White/black/green	24	63	White/blue/violet	63
25	White/black/blue	25	64	White/blue/gray	64
26	White/black/violet	26	65	White/violet/gray	65
27	White/black/gray	27	66	White/black/brown/red	66
28	White/brown/red	28	67	White/black/brown/orange	67
29	White/brown/orange	29	68	White/black/brown/yellow	68
30	White/brown/yellow	30	69	White/black/brown/green	69
31	White/brown/green	31	70	White/black/brown/blue	70
32	White/brown/blue	32	71	White/black/brown/violet (spare)	71
33	White/brown/violet	33	72	Not connected	72
34	White/brown/gray	34	73	White/black/brown/gray	73
35	White/red/orange	35	74	White/black/red/yellow	74
36	White/red/yellow	36	75	White/black/red/green	75
37	White/red/green	37	76	White/black/red/blue	76
38	White/red/blue	38	77	White/black/red/violet	77
39	White/red/violet (spare)	39	78	White/black/red/gray	78

## Hardware interlocks

This plug-in card can switch high-voltage signals. To prevent exposure to hazardous voltages, the plug-in card includes a hardware interlock. The hardware interlocks are present on the plug-in card and are designed to keep the plug-in card disconnected from the 3700A backplane. When the interlock circuit is disengaged, no measurements can be made through a plug-in card, but channel relays can continue to operate.

The following figure is a simplified schematic of the interlock circuit on the plug-in card.

**Figure 16: Simplified interlock circuit**



## 3723 interlock pin numbers

The following table shows the interlock pin numbers for the 3723 switch card.

Interlock circuit	Interlock pins	Backplane relays affected	Other relays affected
Multiplexer #1	76, 78	n911 through n916	n/a
Multiplexer #2	76, 78	n921 through n926	n/a

---

### CAUTION

To prevent instrument damage or loss of functionality, make sure high-voltage analog signals are not wired to the interlock pins.

---

## Engage hardware interlocks

To engage the hardware interlocks, you must provide a low-resistance path between the two applicable interlock pins, as shown in the figure in [Hardware interlocks](#) (on page 17). This path routes a 5 V power source to an onboard interlock relay, which in turn enables power to the backplane relays. If a 37xxA-ST screw-terminal accessory is used, a low-resistance path is provided to automatically engage the interlock circuit.

---

### WARNING

The supplied 5 V power source is not designed for use with external circuits. Only use this power source to energize the interlock relay.

For reliable operation, be sure to provide a low-resistance path between the interlock pins. Significant resistance can cause the interlock circuit to fail to engage.

---

## Check interlock status

You can check the status of the interlocks using the TSP command `slot[slot].interlock.state`, where `slot` is 1 to 6. When the interlock status is returned as engaged, you can energize the associated backplane relays. When interlock status is disengaged, you cannot energize the associated backplane relays.

Refer to the *Series 3700A System Switch/Multimeter Reference Manual* for more information on interlock commands. This manual is available at [tek.com/keithley](http://tek.com/keithley).

## Maximum power usage with 3700A cards

The 3700A plug-in cards can switch many relays at once, which can take a substantial amount of system power. The maximum power available in the 3700A is limited on a per-slot and per-bank basis, as shown in the following table.

Bank 1	Bank 2
Slot 1	Slot 4
Slot 2	Slot 5
Slot 3	Slot 6
12,300 mW (maximum)	12,300 mW (maximum)

The maximum slot power limit is 10,500 mW.

If the power levels are exceeded, the system performs as many of the operations as possible until the power limits are reached. When the power limits are reached, an error message is generated and the remaining operations are not performed.

## Power budgeting and calculation

Individual relay power consumption generally depends on the type of relay. Latching relays consume power briefly to open or close and are not a concern when budgeting power. Nonlatching relays continuously consume power to maintain their state, so they must be considered when budgeting for power consumption.

Each switch card also uses system power to operate. This continuous power draw is known as quiescent power. Quiescent power takes away power that is available to operate relays, so it must also be considered when budgeting for power consumption.

The following table shows the power consumption of channel and backplane relays for the 3700A switch cards. The quiescent power is also shown.

Model	Quiescent power ( $P_Q$ ) (milliwatts)	Channel relay power ( $P_{CR}$ ) consumption each (milliwatts)	Backplane relay power ( $P_{BR}$ ) consumption each (milliwatts)
3720	975	Not applicable	100
3721	1350	Not applicable	100
3722	475	Not applicable	100
3723	700	100 (2-pole)	100
		50 (1-pole)	100
3724	1150	20	100
3730	780	Not applicable	100
3731	780	67	100
3732	780	17	100
3740	1000	Not applicable (independent)	100
		200 (high current)	100

To determine how many relay operations can be performed, use the previous table to calculate the total power required by applying the following equation:

$$P_{TS} = P_Q + (N_{CC} \times P_{CR}) + (N_{BC} \times P_{BR})$$

Where:

- $P_{TS}$  is the total slot power
- $P_Q$  is the quiescent power
- $N_{CC}$  is the number of closed channels
- $P_{CR}$  is the power per channel relay
- $N_{BC}$  is the number of closed backplane channels
- $P_{BR}$  is the power per backplane relay

To calculate the total slot power, you must calculate the power for each bank of slots:

$$\text{Bank 1 Power} = \text{Slot 1 } P_{TS} + \text{Slot 2 } P_{TS} + \text{Slot 3 } P_{TS}$$

$$\text{Bank 2 Power} = \text{Slot 4 } P_{TS} + \text{Slot 5 } P_{TS} + \text{Slot 6 } P_{TS}$$

The results are called bank powers and should be compared with the maximum limits. Example calculations are shown in the following topics.

### Power budgeting example for six 3723 cards

This example is for a fully loaded Model 3706A-S with Model 3723 cards (all 2-pole mode).

Slot	Card	Channel relays closed	Backplane relays closed
Slot 1	3723	30	4
Slot 2	3723	30	4
Slot 3	3723	30	4
Slot 4	3723	30	4
Slot 5	3723	30	4
Slot 6	3723	30	4

This produces the power consumption shown in the following table.

	$P_0$		$N_{CC} \times P_{CR}$		$N_{BC} \times P_{BR}$		$P_{TS}$
Slot 1 power consumed =	700	+	$30 \times 100$	+	$4 \times 100$	=	4100
Slot 2 power consumed =	700	+	$30 \times 100$	+	$4 \times 100$	=	4100
Slot 3 power consumed =	700	+	$30 \times 100$	+	$4 \times 100$	=	4100
Slot 4 power consumed =	700	+	$30 \times 100$	+	$4 \times 100$	=	4100
Slot 5 power consumed =	700	+	$30 \times 100$	+	$4 \times 100$	=	4100
Slot 6 power consumed =	700	+	$30 \times 100$	+	$4 \times 100$	=	4100

Totals for each bank are calculated:

	Slot 1		Slot 2		Slot 3		Total
Bank #1 power consumed =	4100	+	4100	+	4100	=	12300

	Slot 4		Slot 5		Slot 6		Total
Bank #2 power consumed =	4100	+	4100	+	4100	=	12300

Since each bank did not exceed the maximum power, the power budget is within the limits.

## Power budgeting example for partially loaded 3706A

This example is for a partially loaded Model 3706A with Model 3723 cards (all 1-pole mode).

Slot	Card	Channel relays closed	Backplane relays closed
Slot 1	3723	107	1
Slot 2	3723	107	1
Slot 3	Empty	0	0
Slot 4	3723	107	1
Slot 5	3723	107	1
Slot 6	Empty	0	0

This produces the power consumption shown in the following table.

Slot 1 power consumed =	700	+	107 × 50	+	1 × 100	=	6150
Slot 2 power consumed =	700	+	107 × 50	+	1 × 100	=	6150
Slot 3 power consumed =	0	+	0	+	0	=	0
Slot 4 power consumed =	700	+	107 × 50	+	1 × 100	=	6150
Slot 5 power consumed =	700	+	107 × 50	+	1 × 100	=	6150
Slot 6 power consumed =	0	+	0	+	0	=	0

Totals for each bank are calculated as shown in the following table.

	Slot 1		Slot 2		Slot 3		Total
Bank #1 power consumed =	6150	+	6150	+	0	=	12300

	Slot 4		Slot 5		Slot 6		Total
Bank #2 power consumed =	6150	+	6150	+	0	=	12300

Since each bank did not exceed the maximum power, the power budget is within the limits.

## Power budgeting example with all 3723 and 60 relays closed

This example is for a fully loaded Model 3706A-S with Model 3723 cards (all 2-pole mode).

Slot	Card	Channel relays closed	Backplane relays closed
Slot 1	3723	60	4
Slot 2	3723	60	4
Slot 3	3723	60	4
Slot 4	3723	60	4
Slot 5	3723	60	4
Slot 6	3723	60	4

This produces the power consumption shown in the following table.

Slot 1 power consumed =	700	+	60 × 100	+	4 × 100	=	7100
Slot 2 power consumed =	700	+	60 × 100	+	4 × 100	=	7100
Slot 3 power consumed =	700	+	60 × 100	+	4 × 100	=	7100
Slot 4 power consumed =	700	+	60 × 100	+	4 × 100	=	7100
Slot 5 power consumed =	700	+	60 × 100	+	4 × 100	=	7100
Slot 6 power consumed =	700	+	60 × 100	+	4 × 100	=	7100

Totals for each bank are calculated:

	Slot 1		Slot 2		Slot 3		Total
Bank #1 power consumed =	7100	+	7100	+	7100	=	21300

	Slot 4		Slot 5		Slot 6		Total
Bank #2 power consumed =	7100	+	7100	+	7100	=	21300

Since each bank exceeded the maximum power, some operations are not performed and an error is generated.

## Power budgeting example with multiple cards

This example is for a fully loaded 3706A-S with a mix of switch cards.

Slot	Card	Channel relays closed	Backplane relays closed
1	3720	20	2
2	3721	20	2
3	3722	15	4
4	3723	25 (2-pole)	2
5	3730	10	4
6	3740	2 (high current)	4

This produces the following power consumption:

	$P_0$		$N_{CC} \times P_{CR}$		$N_{BC} \times P_{BR}$		$P_{TS}$
Slot 1 power consumed =	975	+	0	+	$2 \times 100$	=	1175
Slot 2 power consumed =	1350	+	0	+	$2 \times 100$	=	1550
Slot 3 power consumed =	475	+	0	+	$4 \times 100$	=	875
Slot 4 power consumed =	700	+	$25 \times 100$	+	$2 \times 100$	=	3400
Slot 5 power consumed =	780	+	0	+	$4 \times 100$	=	1180
Slot 6 power consumed =	1000	+	$2 \times 200$	+	$4 \times 100$	=	1800

Totals for each bank are calculated:

	Slot 1		Slot 2		Slot 3		Total
Bank 1 power consumed =	1175	+	1550	+	875	=	3600

	Slot 4		Slot 5		Slot 6		Total
Bank 2 power consumed =	3400	+	1180	+	1800	=	6380

Since each bank did not exceed the maximum power, the power budget is within the limits.

## Model 3723 connection log - 60 channel

Use this table to record your 60-channel 3723 connection information.

Channel		Color	Description
OUTPUT1	H		
	L		
CH1	H		
	L		
CH2	H		
	L		
CH3	H		
	L		
CH4	H		
	L		
CH5	H		
	L		
CH6	H		
	L		
CH7	H		
	L		
CH8	H		
	L		
CH9	H		
	L		
CH10	H		
	L		
CH11	H		
	L		
CH12	H		
	L		
CH13	H		
	L		
CH14	H		
	L		
CH15	H		
	L		
CH16	H		
	L		
CH17	H		
	L		
CH18	H		
	L		
CH19	H		
	L		



Channel		Color	Description
CH20	H		
	L		
CH21	H		
	L		
CH22	H		
	L		
CH23	H		
	L		
CH24	H		
	L		
CH25	H		
	L		
CH26	H		
	L		
CH27	H		
	L		
CH28	H		
	L		
CH29	H		
	L		
CH30	H		
	L		
<b>OUTPUT 2</b>	H		
	L		
CH31	H		
	L		
CH32	H		
	L		
CH33	H		
	L		
CH34	H		
	L		
CH35	H		
	L		
CH36	H		
	L		
CH37	H		
	L		
CH38	H		
	L		
CH39	H		
	L		
CH40	H		
	L		

Channel		Color	Description
CH41	H		
	L		
CH42	H		
	L		
CH43	H		
	L		
CH44	H		
	L		
CH45	H		
	L		
CH46	H		
	L		
CH47	H		
	L		
CH48	H		
	L		
CH49	H		
	L		
CH50	H		
	L		
CH51	H		
	L		
CH52	H		
	L		
CH53	H		
	L		
CH54	H		
	L		
CH55	H		
	L		
CH56	H		
	L		
CH57	H		
	L		
CH58	H		
	L		
CH59	H		
	L		
CH60	H		
	L		

## Model 3723 connection log - 120 channel

Use this table record your 120-channel 3723 connection information.

Channel	Color	Description
OUTPUT 1		
OUTPUT 2		
CH1		
CH2		
CH4		
CH5		
CH6		
CH7		
CH8		
CH9		
CH10		
CH11		
CH12		
CH13		
CH14		
CH15		
CH16		
CH17		
CH18		
CH19		
CH20		
CH21		
CH22		
CH23		
CH24		

<b>Channel</b>	<b>Color</b>	<b>Description</b>
CH25		
CH26		
CH27		
CH28		
CH29		
CH30		
CH31		
CH32		
CH33		
CH34		
CH35		
CH36		
CH37		
CH38		
CH39		
CH40		
CH41		
CH42		
CH43		
CH44		
CH45		
CH46		
CH47		
CH48		
CH49		
CH50		
CH51		
CH52		

<b>Channel</b>	<b>Color</b>	<b>Description</b>
CH53		
CH54		
CH55		
CH56		
CH57		
CH58		
CH59		
CH60		
CH61		
CH62		
CH63		
CH64		
CH65		
CH66		
CH67		
CH68		
CH69		
CH70		
CH71		
CH72		
CH73		
CH74		
CH75		
CH76		
CH77		
CH78		
CH79		
CH80		

<b>Channel</b>	<b>Color</b>	<b>Description</b>
CH81		
CH82		
CH83		
CH84		
CH85		
CH86		
CH87		
CH88		
CH89		
CH90		
CH91		
CH92		
CH93		
CH94		
CH95		
CH96		
CH97		
CH98		
CH99		
CH100		
CH101		
CH102		
CH103		
CH104		
CH105		
CH106		
CH107		
CH108		

<b>Channel</b>	<b>Color</b>	<b>Description</b>
CH109		
CH110		
CH111		
CH112		
CH113		
CH114		
CH115		
CH116		
CH117		
CH118		
CH119		
CH120		

The following safety precautions should be observed before using this product and any associated instrumentation. Although some instruments and accessories would normally be used with nonhazardous voltages, there are situations where hazardous conditions may be present.

This product is intended for use by personnel who recognize shock hazards and are familiar with the safety precautions required to avoid possible injury. Read and follow all installation, operation, and maintenance information carefully before using the product. Refer to the user documentation for complete product specifications.

If the product is used in a manner not specified, the protection provided by the product warranty may be impaired.

The types of product users are:

**Responsible body** is the individual or group responsible for the use and maintenance of equipment, for ensuring that the equipment is operated within its specifications and operating limits, and for ensuring that operators are adequately trained.

**Operators** use the product for its intended function. They must be trained in electrical safety procedures and proper use of the instrument. They must be protected from electric shock and contact with hazardous live circuits.

**Maintenance personnel** perform routine procedures on the product to keep it operating properly, for example, setting the line voltage or replacing consumable materials. Maintenance procedures are described in the user documentation. The procedures explicitly state if the operator may perform them. Otherwise, they should be performed only by service personnel.

**Service personnel** are trained to work on live circuits, perform safe installations, and repair products. Only properly trained service personnel may perform installation and service procedures.

Keithley products are designed for use with electrical signals that are measurement, control, and data I/O connections, with low transient overvoltages, and must not be directly connected to mains voltage or to voltage sources with high transient overvoltages. Measurement Category II (as referenced in IEC 60664) connections require protection for high transient overvoltages often associated with local AC mains connections. Certain Keithley measuring instruments may be connected to mains. These instruments will be marked as category II or higher.

Unless explicitly allowed in the specifications, operating manual, and instrument labels, do not connect any instrument to mains.

Exercise extreme caution when a shock hazard is present. Lethal voltage may be present on cable connector jacks or test fixtures. The American National Standards Institute (ANSI) states that a shock hazard exists when voltage levels greater than 30 V RMS, 42.4 V peak, or 60 VDC are present. A good safety practice is to expect that hazardous voltage is present in any unknown circuit before measuring.

Operators of this product must be protected from electric shock at all times. The responsible body must ensure that operators are prevented access and/or insulated from every connection point. In some cases, connections must be exposed to potential human contact. Product operators in these circumstances must be trained to protect themselves from the risk of electric shock. If the circuit is capable of operating at or above 1000 V, no conductive part of the circuit may be exposed.

Do not connect switching cards directly to unlimited power circuits. They are intended to be used with impedance-limited sources. NEVER connect switching cards directly to AC mains. When connecting sources to switching cards, install protective devices to limit fault current and voltage to the card.

Before operating an instrument, ensure that the line cord is connected to a properly-grounded power receptacle. Inspect the connecting cables, test leads, and jumpers for possible wear, cracks, or breaks before each use.

When installing equipment where access to the main power cord is restricted, such as rack mounting, a separate main input power disconnect device must be provided in close proximity to the equipment and within easy reach of the operator.

For maximum safety, do not touch the product, test cables, or any other instruments while power is applied to the circuit under test. ALWAYS remove power from the entire test system and discharge any capacitors before connecting or disconnecting cables or jumpers, installing or removing switching cards, or making internal changes, such as installing or removing jumpers.

Do not touch any object that could provide a current path to the common side of the circuit under test or power line (earth) ground. Always make measurements with dry hands while standing on a dry, insulated surface capable of withstanding the voltage being measured.




For safety, instruments and accessories must be used in accordance with the operating instructions. If the instruments or accessories are used in a manner not specified in the operating instructions, the protection provided by the equipment may be impaired.


Do not exceed the maximum signal levels of the instruments and accessories. Maximum signal levels are defined in the specifications and operating information and shown on the instrument panels, test fixture panels, and switching cards.

When fuses are used in a product, replace with the same type and rating for continued protection against fire hazard.

Chassis connections must only be used as shield connections for measuring circuits, NOT as protective earth (safety ground) connections.

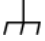
If you are using a test fixture, keep the lid closed while power is applied to the device under test. Safe operation requires the use of a lid interlock.

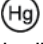
If a  screw is present, connect it to protective earth (safety ground) using the wire recommended in the user documentation.

The  symbol on an instrument means caution, risk of hazard. The user must refer to the operating instructions located in the user documentation in all cases where the symbol is marked on the instrument.

The  symbol on an instrument means warning, risk of electric shock. Use standard safety precautions to avoid personal contact with these voltages.


The  symbol on an instrument shows that the surface may be hot. Avoid personal contact to prevent burns.

The  symbol indicates a connection terminal to the equipment frame.

If this  symbol is on a product, it indicates that mercury is present in the display lamp. Please note that the lamp must be properly disposed of according to federal, state, and local laws.

The **WARNING** heading in the user documentation explains hazards that might result in personal injury or death. Always read the associated information very carefully before performing the indicated procedure.

The **CAUTION** heading in the user documentation explains hazards that could damage the instrument. Such damage may invalidate the warranty.

The **CAUTION** heading with the  symbol in the user documentation explains hazards that could result in moderate or minor injury or damage the instrument. Always read the associated information very carefully before performing the indicated procedure. Damage to the instrument may invalidate the warranty.

Instrumentation and accessories shall not be connected to humans.

Before performing any maintenance, disconnect the line cord and all test cables.

To maintain protection from electric shock and fire, replacement components in mains circuits — including the power transformer, test leads, and input jacks — must be purchased from Keithley. Standard fuses with applicable national safety approvals may be used if the rating and type are the same. The detachable mains power cord provided with the instrument may only be replaced with a similarly rated power cord. Other components that are not safety-related may be purchased from other suppliers as long as they are equivalent to the original component (note that selected parts should be purchased only through Keithley to maintain accuracy and functionality of the product). If you are unsure about the applicability of a replacement component, call a Keithley office for information.

Unless otherwise noted in product-specific literature, Keithley instruments are designed to operate indoors only, in the following environment: Altitude at or below 2,000 m (6,562 ft); temperature 0 °C to 50 °C (32 °F to 122 °F); and pollution degree 1 or 2.

To clean an instrument, use a cloth dampened with deionized water or mild, water-based cleaner. Clean the exterior of the instrument only. Do not apply cleaner directly to the instrument or allow liquids to enter or spill on the instrument. Products that consist of a circuit board with no case or chassis (e.g., a data acquisition board for installation into a computer) should never require cleaning if handled according to instructions. If the board becomes contaminated and operation is affected, the board should be returned to the factory for proper cleaning/servicing.

Safety precaution revision as of June 2018.